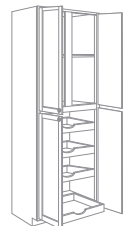
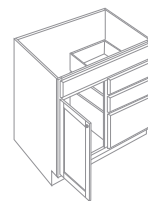
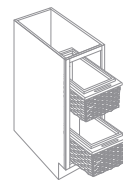
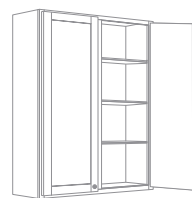


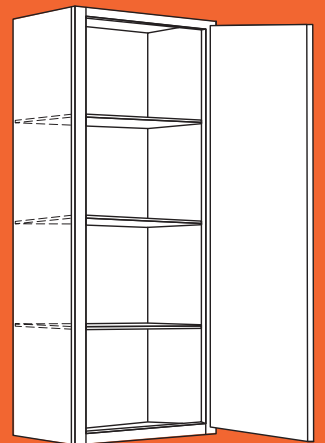
# Echelon<sup>®</sup>

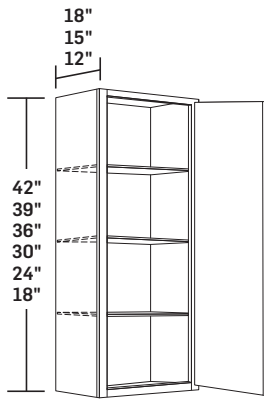
CABINETRY



**Cabinet Specifications** | April 2018

# WALL CABINETS





42" high shown

**SINGLE DOOR WALL CABINETS**

- 42" and 39" high cabinets have three 5/8" thick adjustable shelves  
36" and 30" high cabinets have two 5/8" thick adjustable shelves  
24" and 18" high cabinets have one 5/8" thick adjustable shelf
- 42" and 39" high cabinets have three hinges per door  
36", 30", 24", and 18" high cabinets have two hinges per door
- **Carlisle is not available on W2442, W2436, and W2430 (see Butt Door wall cabinets). W2424 comes with two butt doors in Carlisle.**
- Specify L or R door hinging
- **MW and DGW Cabinets come standard with plywood construction and matching finished interior. See page 3.18 for MW and DGW availability by door style. Glass ordered separately**

■ CFO
■ AD
+ DGW
+ MW
■ FI
■ AW
■ MPE
■ FFE

Mullion Doors Cabinets (MW)	Doors Cut For Glass Cabinets (DGW)
-----------------------------	------------------------------------

**42" HIGH (3 shelves)**

W0942 L or R		
W1242 L or R		DGW1242 L or R
W1542 L or R	MW1542 L or R	DGW1542 L or R
W1842 L or R	MW1842 L or R	DGW1842 L or R
W2142 L or R	MW2142 L or R	DGW2142 L or R
W2442 L or R		

**NEW 39" HIGH (3 shelves)**

W0939 L or R		
W1239 L or R		DGW1239 L or R
W1539 L or R	MW1539 L or R	DGW1539 L or R
W1839 L or R	MW1839 L or R	DGW1839 L or R
W2139 L or R	MW2139 L or R	DGW2139 L or R
W2439 L or R		

**36" HIGH (2 shelves)**

W0936 L or R		
W1236 L or R		DGW1236 L or R
W1536 L or R	MW1536 L or R	DGW1536 L or R
W1836 L or R	MW1836 L or R	DGW1836 L or R
W2136 L or R	MW2136 L or R	DGW2136 L or R
W2436 L or R		

**30" HIGH (2 shelves)**

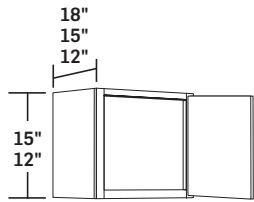
W0930 L or R		
W1230 L or R		DGW1230 L or R
W1530 L or R	MW1530 L or R	DGW1530 L or R
W1830 L or R	MW1830 L or R	DGW1830 L or R
W2130 L or R	MW2130 L or R	DGW2130 L or R
W2430 L or R		

**24" HIGH (1 shelf)**

W1224 L or R		
W1524 L or R	MW1524 L or R	DGW1524 L or R
W1824 L or R	MW1824 L or R	DGW1824 L or R
W2124 L or R		
W2424 L or R		

**18" HIGH (1 shelf)**

W1218 L or R		DGW1218 L or R
W1518 L or R		DGW1518 L or R
W1818 L or R		DGW1818 L or R
W2118 L or R		DGW2118 L or R
W2418SD L or R		DGW2418SD L or R



15" high shown

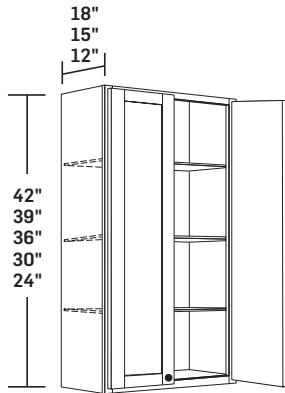
## SINGLE DOOR WALL CABINETS

- 15" and 12" high cabinets do not have shelves
- 15" and 12" high cabinets have two hinges per door
- Specify L or R door hinging
- **MW and DGW Cabinets come standard with plywood construction and matching finished interior. See page 3.18 for MW and DGW availability by door style. Glass ordered separately**

■ CFO
■ AD
+ DGW
+ MW
■ FI
■ AW
■ MPE
■ FFE

	Mullion Doors Cabinets (MW)	Doors Cut For Glass Cabinets (DGW)
<b>15" HIGH (no shelf)</b>		
W1515 L or R		DGW1515 L or R
W1815 L or R		DGW1815 L or R
<b>12" HIGH (no shelf)</b>		
W1512 L or R		DGW1512 L or R
W1812 L or R		DGW1812 L or R





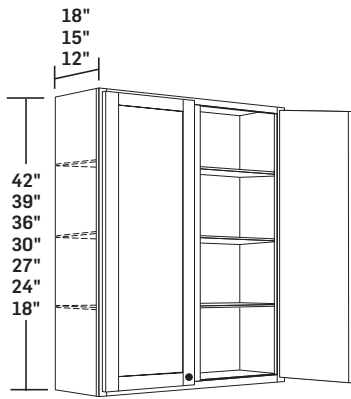
42" high shown

**BUTT DOOR WALL CABINETS**

- 27", 30", and 33" wide butt door cabinets come with 5/8" thick shelves; 36" wide butt door cabinets come with 3/4" thick shelves
- 42" and 39" high cabinets have three adjustable shelves  
36" and 30" high cabinets have two adjustable shelves  
24" high cabinets have one adjustable shelf
- 42" and 39" high cabinets have three hinges per door  
36", 30", and 24" high cabinets have two hinges per door
- **27", 30", 33", and 36" wide cabinets are not available in Arch Door Styles**
- **MW and DGW Cabinets come standard with plywood construction and matching finished interior. See page 3.18 for MW and DGW availability by door style. Glass ordered separately**

■ CFO
■ AD
+ DGW
MW
■ FI
■ AW
■ MPE
■ FFE

	Mullion Doors Cabinets (MW)	Doors Cut For Glass Cabinets (DGW)
<b>42" HIGH (3 shelves)</b>		
W2442BD		DGW2442BD
W2742BD		
W3042BD		
W3342BD		
W3642BD		
<b>NEW 39" HIGH (3 shelves)</b>		
W2439BD		DGW2439BD
W2739BD		
W3039BD		
W3339BD		
W3639BD		
<b>36" HIGH (2 shelves)</b>		
W2436BD		DGW2436BD
W2736BD		
W3036BD		
W3336BD		
W3636BD		
<b>30" HIGH (2 shelves)</b>		
W2430BD		DGW2430BD
W2730BD		
W3030BD		
W3330BD		
W3630BD		
<b>24" HIGH (1 shelf)</b>		
W2724BD		
W3024BD		
W3324BD		
W3624BD		



42" high shown

**DOUBLE DOOR WALL CABINETS**

- 42" and 39" high cabinets have three 5/8" thick adjustable shelves  
36", 30" and 27" high cabinets have two 5/8" thick adjustable shelves  
24", 21" and 18" high cabinets have one 5/8" thick adjustable shelf
- 42" and 39" high cabinets have three hinges per door  
36", 30", 27", 24", 21" and 18" high cabinets have two hinges per door
- **Carlisle has four butt doors on 48" wide cabinets**
- **W4542, W4842, W4536, W4836, W4530 and W4830 are not available in Altered Depth**
- **27" and 21" high cabinets are not available in Arch Door Styles**
- **MW and DGW Cabinets come standard with plywood construction and matching finished interior. See page 3.18 for MW and DGW availability by door style. Glass ordered separately**

■ CFO
■ AD
+ DGW
+ MW
■ FI
■ AW
■ MPE
■ FFE

Mullion Doors Cabinets (MW)      Doors Cut For Glass Cabinets (DGW)

**42" HIGH (3 shelves)**

W2742		
W3042	MW3042	DGW3042
W3342		
W3642	MW3642	DGW3642
W3942		
W4242	MW4242	DGW4242
W4542		
W4842		

**NEW 39" HIGH (3 shelves)**

W2739		
W3039	MW3039	DGW3039
W3339		
W3639	MW3639	DGW3639
W3939		
W4239	MW4239	DGW4239
W4539		
W4839		

**36" HIGH (2 shelves)**

W2736		
W3036	MW3036	DGW3036
W3336		
W3636	MW3636	DGW3636
W3936		
W4236	MW4236	DGW4236
W4536		
W4836		

**30" HIGH (2 shelves)**

W2730		
W3030	MW3030	DGW3030
W3330		
W3630	MW3630	DGW3630
W3930		
W4230	MW4230	DGW4230
W4530		
W4830		

Mullion Doors Cabinets (MW)      Doors Cut For Glass Cabinets (DGW)

**27" HIGH (2 shelves)**

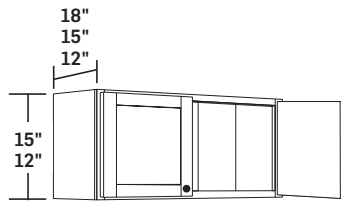
W3027		
W3327		
W3627		
<b>24" HIGH (1 shelf)</b>		
W2724		
W3024	MW3024	DGW3024
W3324		
W3624	MW3624	DGW3624
W3924		
W4224		
W4524		
W4824		

**21" HIGH (1 shelf)**

W3021
W3321
W3621

**18" HIGH (1 shelf)**

W2418		
W2718		DGW2718
W3018		<b>NEW</b> DGW3018
W3318		DGW3318
W3618		DGW3618
W3918		DGW3918
W4218		



15" high shown

**DOUBLE DOOR WALL CABINETS**

- 15" and 12" high cabinets do not have shelves
- Cabinets have two hinges per doors
- **12" high cabinets are NOT available in Altered Depth**

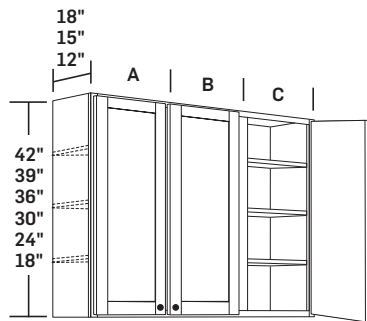
**15" HIGH (no shelf)**

- W3015
- W3315
- W3615
- W3915

**12" HIGH (no shelf)**

- W2412
- W3012
- W3312
- W3612
- W3912

■	CFO
+	AD
	DGW
	MW
■	FI
■	AW
■	MPE
■	FFE



42" high shown

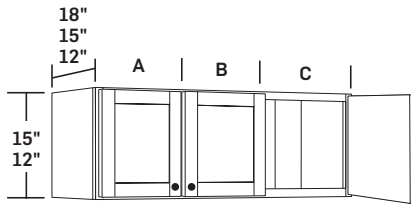
## TRIPLE DOOR WALL CABINETS

- 42" and 39" high cabinets have three 5/8" thick adjustable shelves  
36" and 30" high cabinets have two 5/8" thick adjustable shelves  
24" and 18" high cabinets have one 5/8" thick adjustable shelf
- 42" and 39" high cabinets have three hinges per door  
36", 30", 24", and 18" high cabinets have two hinges per door
- **Only 24" and 18" high cabinets are offered in Altered Depth**
- **MW and DGW Cabinets come standard with plywood construction and matching finished interior. See page 3.18 for MW and DGW availability by door style. Glass ordered separately**
- **NOTE: Hinging is only available as L, R, and R only**

■	CFO
+	AD
+	DGW
+	MW
■	FI
■	AW
■	MPE
■	FFE

	Mullion Doors Cabinets (MW)	Doors Cut For Glass Cabinets (DGW)
<b>42" HIGH (3 shelves)</b>		
A B C		
W4542-3 (15", 15", 15")	MW4542-3	DGW4542-3
W4842-3 (15", 18", 15")	MW4842-3	DGW4842-3
<b>NEW 39" HIGH (3 shelves)</b>		
W4539-3 (15", 15", 15")	MW4539-3	DGW4539-3
W4839-3 (15", 18", 15")	MW4839-3	DGW4839-3
<b>36" HIGH (2 shelves)</b>		
W4536-3 (15", 15", 15")	MW4536-3	DGW4536-3
W4836-3 (15", 18", 15")	MW4836-3	DGW4836-3
<b>30" HIGH (2 shelves)</b>		
W4530-3 (15", 15", 15")	MW4530-3	DGW4530-3
W4830-3 (15", 18", 15")	MW4830-3	DGW4830-3
<b>24" HIGH (1 shelf)</b>		
W4524-3 (15", 15", 15")	MW4524-3	DGW4524-3
W4824-3 (15", 18", 15")	MW4824-3	DGW4824-3
<b>18" HIGH (1 shelf)</b>		
W4518-3 (15", 15", 15")		DGW4518-3
W4818 (15", 18", 15")		





15" high shown

**TRIPLE DOOR WALL CABINETS**

- 15" and 12" high cabinets do not have shelves
- 15" and 12" high cabinets have two hinges per door
- **Only 15" high cabinets are offered in Altered Depth**
- **MW and DGW Cabinets come standard with plywood construction and matching finished interior. See page 3.18 for MW and DGW availability by door style.**
- **NOTE: Hinging is only available as L, R, and R only**

■ CFO
+ AD
+ DGW
+ MW
■ FI
■ AW
■ MPE
■ FFE

Mullion Doors  
Cabinets (MW)

Doors Cut For Glass  
Cabinets (DGW)

**15" HIGH (no shelf)**

A B C

W4515-3 (15", 15", 15")

DGW4515-3

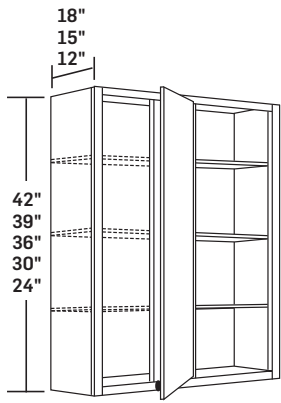
W4815-3 (15", 18", 15")

DGW4815-3

**12" HIGH (no shelf)**

W4212 (14", 14", 14")

W4812 (15", 18", 15")



42" high shown

## SINGLE DOOR BLIND WALL CABINETS

- 42" and 39" high cabinets have three 5/8" thick adjustable shelves  
36" and 30" high cabinets have two 5/8" thick adjustable shelves  
24" high cabinets have one 5/8" thick adjustable shelf
- 42" and 39" high cabinets have three hinges per door  
36", 30", and 24" high cabinets have two hinges per door
- **Carlisle has two butt doors on BLW36/39\_\_ cabinets**
- Specify L or R door hinging and blind location
- See page 3.38 for blind cabinet installation instructions
- **Filler must be used. Filler sold separately. Allow 15" to turn corner. Cabinets may be pulled up to 4".**
- **In Full Overlay styles order OBLW\_\_ Filler Overlay (pages 9.2)**

CFO
■ AD
DGW
MW
■ FI
■ AW
■ MPE
■ FFE

### 42" HIGH (3 shelves)

BLW24/2742 L or R  
BLW27/3042 L or R  
BLW30/3342 L or R  
BLW33/3642 L or R  
BLW36/3942 L or R

### **NEW** 39" HIGH (3 shelves)

BLW24/2739 L or R  
BLW27/3039 L or R  
BLW30/3339 L or R  
BLW33/3639 L or R  
BLW36/3939 L or R

### 36" HIGH (2 shelves)

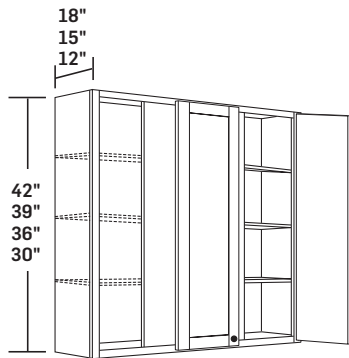
BLW24/2736 L or R  
BLW27/3036 L or R  
BLW30/3336 L or R  
BLW33/3636 L or R  
BLW36/3936 L or R

### 30" HIGH (2 shelves)

BLW24/2730 L or R  
BLW27/3030 L or R  
BLW30/3330 L or R  
BLW33/3630 L or R  
BLW36/3930 L or R

### 24" HIGH (1 shelf)

BLW24/2724 L or R



42" high shown

**DOUBLE DOOR BLIND WALL CABINETS**

- 42" and 39" high cabinets have three 5/8" thick adjustable shelves  
36" and 30" high cabinets have two 5/8" thick adjustable shelves
- 42" and 39" high cabinets have three hinges per door  
36" and 30" high cabinets have two hinges per door
- Specify L or R for blind location
- See page 3.38 for blind cabinet installation instructions
- **Filler must be used. Filler sold separately. Allow 15" to turn corner. Cabinets may be pulled up to 4".**
- **In Full Overlay styles order OBLW\_ \_ Filler Overlay (pages 9.2)**

CFO
■ AD
DGW
MW
■ FI
■ AW
■ MPE
■ FFE

**42" HIGH (3 shelves)**

BLW39/4242 L or R

BLW42/4542 L or R

**NEW 39" HIGH (3 shelves)**

BLW39/4239 L or R

BLW42/4539 L or R

**36" HIGH (2 shelves)**

BLW39/4236 L or R

BLW42/4536 L or R

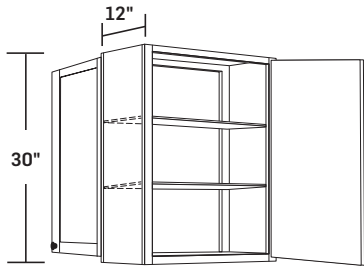
**30" HIGH (2 shelves)**

BLW39/4230 L or R

BLW42/4530 L or R

BLW45/4830 L or R

BLW48/5130 L or R



30" high shown

### SINGLE DOOR PENINSULA WALL CABINETS

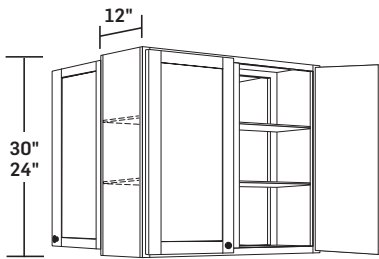
- Two 5/8" thick adjustable shelves
- Two hinges per door
- Single door front and rear
- Specify L or R door hinging
- **Carlisle has two butt doors on PW2430**
- **MW and DGW Cabinets come standard with plywood construction and matching finished interior. See page 3.18 for MW and DGW availability by door style. Glass ordered separately**

■ CFO
AD
+ DGW
+ MW
■ FI
■ AW
■ MPE
■ FFE

Mullion Doors Cabinets (MW)	Doors Cut For Glass Cabinets (DGW)
--------------------------------	---------------------------------------

#### 30" HIGH (2 shelves)

PW2130 L or R	PMW2130 L or R	PDGW2130 L or R
PW2430 L or R		



30" high shown

### DOUBLE DOOR PENINSULA WALL CABINETS

- 30" high cabinets have two 5/8" thick adjustable shelves  
24" high cabinets have one 5/8" thick adjustable shelf
- Two hinges per door
- Double door front and rear
- **MW and DGW Cabinets come standard with plywood construction and matching finished interior. See page 3.18 for MW and DGW availability by door style. Glass ordered separately**

CFO
AD
■ DGW
■ MW
■ FI
■ AW
■ MPE
■ FFE

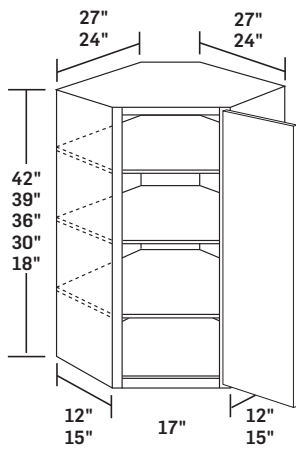
Mullion Doors Cabinets (MW)	Doors Cut For Glass Cabinets (DGW)
--------------------------------	---------------------------------------

#### 30" HIGH (2 shelves)

PW3030	PMW3030	PDGW3030
PW3630	PMW3630	PDGW3630

#### 24" HIGH (1 shelf)

PW3024	PMW3024	PDGW3024
PW3624	PMW3624	PDGW3624



42" high shown

### 12" and 15" DEEP SINGLE DOOR CORNER WALL CABINETS

- 42" and 39" high cabinets have three 5/8" thick adjustable shelves  
36" and 30" high cabinets have two 5/8" thick adjustable shelves  
18" high cabinet has one 5/8" thick adjustable shelf
- 42" and 39" high cabinets have three hinges per door  
36", 30" and 18" high cabinets have two hinges per door
- Specify L or R door hinging
- **MW and DGW Cabinets come standard with plywood construction and matching finished interior. See page 3.18 for MW and DGW availability by door style. Glass ordered separately**

CFO
AD
+ DGW
+ MW
■ FI
■ AW
■ MPE
FFE

Mullion Doors Cabinets (MW)	Doors Cut For Glass Cabinets (DGW)
-----------------------------	------------------------------------

#### 42" HIGH (3 shelves)

CW2442 L or R (12" deep)	MCW2442 L or R	DGCW2442 L or R
CW2742 L or R (15" deep)	MCW2742 L or R	DGCW2742 L or R

#### **NEW** 39" HIGH (3 shelves)

CW2439 L or R (12" deep)	MCW2439 L or R	DGCW2439 L or R
CW2739 L or R (15" deep)	MCW2739 L or R	DGCW2739 L or R

#### 36" HIGH (2 shelves)

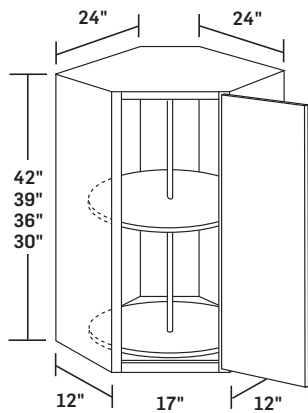
CW2436 L or R (12" deep)	MCW2436 L or R	DGCW2436 L or R
CW2736 L or R (15" deep)	MCW2736 L or R	DGCW2736 L or R

#### 30" HIGH (2 shelves)

CW2430 L or R (12" deep)	MCW2430 L or R	DGCW2430 L or R
CW2730 L or R (15" deep)	MCW2730 L or R	DGCW2730 L or R

#### 18" HIGH (1 shelf)

CW2418 L or R (12" deep)	<b>NEW</b> DGCW2418 L or R
<b>NEW</b> CW2718 L or R (15" deep)	<b>NEW</b> DGCW2718 L or R



42" high shown

### 12" DEEP SINGLE DOOR CORNER WALL CABINETS WITH LAZY SUSAN

- Comes with adjustable lazy susan
- 42" and 39" high cabinets have three hinges per door  
36" and 30" high cabinets have two hinges per door
- Two high impact plastic shelves rotate together
- Includes center post and installation hardware
- 18" diameter white color shelves
- Specify L or R door hinging

CFO
AD
DGW
MW
■ FI
■ AW
■ MPE
FFE

#### 42" HIGH (3 shelves)

CWS2442 L or R

#### 36" HIGH (2 shelves)

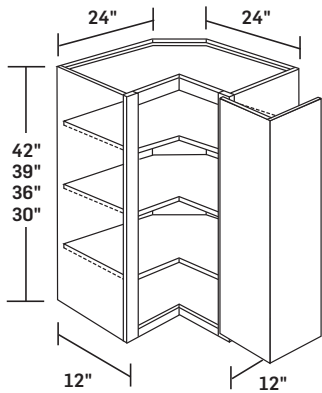
CWS2436 L or R

#### **NEW** 39" HIGH (3 shelves)

CWS2439 L or R

#### 30" HIGH (2 shelves)

CWS2430 L or R



42" high shown

### SINGLE DOOR SQUARE CORNER WALL CABINETS

- 42" and 39" high cabinets have three 5/8" thick adjustable shelves  
36" and 30" high cabinets have two 5/8" thick adjustable shelves
- 42" and 39" high cabinets have three hinges per door  
36" and 30" high cabinets have two hinges per door
- Specify L or R door hinging
- **Gentle-Touch (soft-close) hinge not available**

**42" HIGH (3 shelves)**

WSQC2442 L or R

**NEW 39" HIGH (3 shelves)**

WSQC2439 L or R

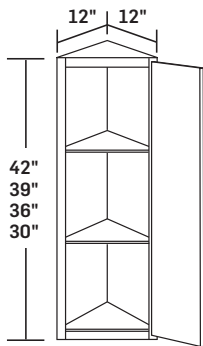
**36" HIGH (2 shelves)**

WSQC2436 L or R

**30" HIGH (2 shelves)**

WSQC2430 L or R

CFO
AD
DGW
MW
■ FI
■ AW
■ MPE
FFE



42" high shown

### SINGLE DOOR WALL END CABINETS

- Two 5/8" thick fixed shelves
- 42" and 39" high cabinets have three hinges per door  
36" and 30" high cabinets have two hinges per door
- Specify L or R door hinging
- End panels are not finished
- **MW and DGW Cabinets come standard with plywood construction and matching finished interior. See page 3.18 for MW and DGW availability by door style. Glass ordered separately**

CFO
AD
■ DGW
MW
■ FI
■ AW
MPE
FFE

Mullion Doors  
Cabinets (MW)

Doors Cut For Glass  
Cabinets (DGW)

**42" HIGH (2 shelves)**

WEC1242 L or R

DGWEC1242 L or R

**NEW 39" HIGH (2 shelves)**

WEC12439 L or R

DGWEC1239 L or R

**36" HIGH (2 shelves)**

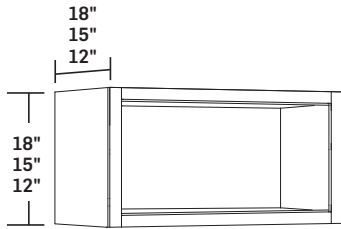
WEC1236 L or R

DGWEC1236 L or R

**30" HIGH (2 shelves)**

WEC1230 L or R

DGWEC1230 L or R



18" high shown

## OPEN WALL CABINETS

- Open wall cabinets do not have shelves
- **Open wall cabinets come standard with plywood construction and matching finished interior**
- **Only 15" high cabinets are offered in Altered Depth**

### 18" HIGH (no shelf)

WOC2418  
WOC2718  
WOC3018  
WOC3318  
WOC3618

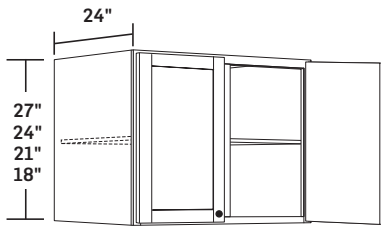
### 15" HIGH (no shelf)

WOC2415  
WOC2715  
WOC3015  
WOC3315  
WOC3615

### 12" HIGH (no shelf)

WOC2412  
WOC2712  
WOC3012  
WOC3312  
WOC3612

CFO
+
AD
DGW
MW
❖
FI
❖
AW
❖
MPE
■
FFE



24" high shown

### 24" DEEP DOUBLE DOOR REFRIGERATOR CABINETS

- 27" high cabinets have two 5/8" thick adjustable shelves  
24", 21" and 18" high cabinets have one 5/8" thick adjustable shelf
- Two hinges per door
- **Must be installed between walls and/or tall cabinetry of equal or greater depth for support**
- 27" and 21" high wall cabinets not available in Arched door styles

#### 27" HIGH (2 shelves)

W3027x24  
W3327x24

#### 21" HIGH (1 shelf)

W3021x24  
W3321x24  
W3621x24

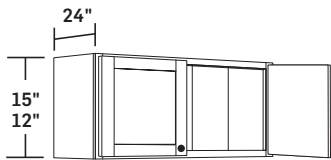
#### 24" HIGH (1 shelf)

W3024x24  
W3324x24  
W3624x24  
W3924x24

#### 18" HIGH (1 shelf)

W3018x24  
W3318x24  
W3618x24  
W3918x24

■ CFO
AD
DGW
MW
■ FI
■ AW
■ MPE
■ FFE



15" high shown

### 24" DEEP DOUBLE DOOR REFRIGERATOR CABINETS

- 15" and 12" high cabinets do not have shelves
- Two hinges per door
- **Must be installed between walls and/or tall cabinetry of equal or greater depth for support**

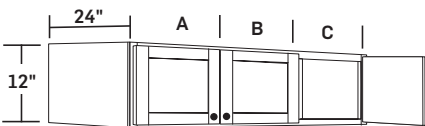
#### 15" HIGH (no shelf)

W3015x24  
W3315x24  
W3615x24

#### 12" HIGH (no shelf)

W3012x24  
W3312x24  
W3612x24  
W3912x24

■ CFO
AD
DGW
MW
■ FI
■ AW
■ MPE
■ FFE



### 24" DEEP TRIPLE DOOR REFRIGERATOR CABINETS

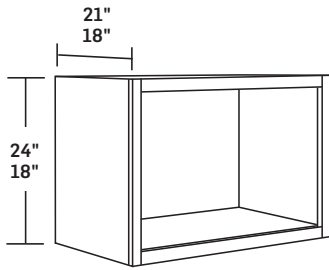
- 12" high cabinets do not have shelves
- Two hinges per door
- **Must be installed between walls and/or tall cabinetry of equal or greater depth for support**
- **NOTE: Hinging is only available as L, R, and R only**

#### 12" HIGH (no shelf)

A B C  
W4212x24 (14", 14", 14")  
W4812x24 (15", 18", 15")

■ CFO
AD
DGW
MW
■ FI
■ AW
■ MPE
■ FFE





24" high shown

### 18" AND 21" DEEP MICROWAVE CABINETS

- 18" and 21" deep microwave cabinets come standard with plywood construction and matching finished interior.
- MC3024x21 and MC3024x18 has a 27" w x 20-1/2" h opening  
MC2718x21 and MC2718x18 has a 24" w x 14-1/2" h opening  
MC2418x21 and MC2418x18 has a 21" w x 14-1/2" h opening
- This cabinet must be installed between walls and/or adjacent cabinetry of equal depth

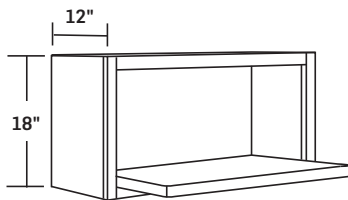
CFO
AD
DGW
MW
❖ FI
❖ AW
❖ MPE
■ FFE

#### 24" HIGH

MC3024x21  
MC3024x18

#### 18" HIGH

MC2718x21  
MC2718x18  
MC2418x21  
MC2418x18



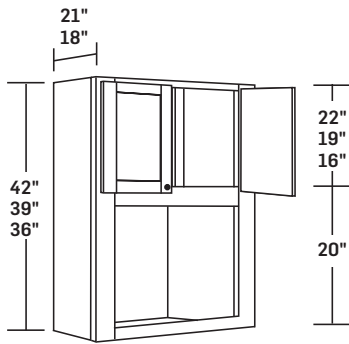
### 12" DEEP MICROWAVE CABINETS WITH SHELF

- Shelf is 18" deep x 3/4" thick
- Outside corners of shelf have a slight radius
- Shelves are oak, maple, or cherry veneered composite panel
- 12" deep microwave cabinets with shelf come standard with plywood construction and matching finished interior.
- MCS2418x12 has a 21" w x 14-1/2" h opening excluding 3/4" shelf  
MCS2718x12 has a 24" w x 14-1/2" h opening excluding 3/4" shelf  
MCS3018x12 has a 27" w x 14-1/2" h opening excluding 3/4" shelf

CFO
AD
DGW
MW
❖ FI
❖ AW
❖ MPE
■ FFE

#### 18" HIGH

MCS2418x12  
MCS2718x12  
MCS3018x12



MC3036x12 shown

## 21" AND 18" DEEP MICROWAVE CABINETS WITHOUT SHELF

- 21" and 18" deep microwave cabinets without shelf come standard with plywood construction and matching finished interior
- 21" and 18" deep microwave cabinets have a 23" w x 13-3/4" h opening
- 42" and 39" high microwave cabinets come with one adjustable shelf in upper section
- Trimmable Max Cut Out on both cabinets: 28" w x 20" h
- **Not trimmable in Thermofoil door styles**
- 21" and 18" deep microwave cabinets without shelf must be installed between walls and/or adjacent cabinetry of equal depth

CFO
AD
DGW
MW
❖ FI
❖ AW
❖ MPE
■ FFE

### 18" DEEP

### 21" DEEP

#### 42" HIGH

MC3042

#### 42" HIGH

MC3042x21

#### **NEW** 39" HIGH

MC3039

#### **NEW** 39" HIGH

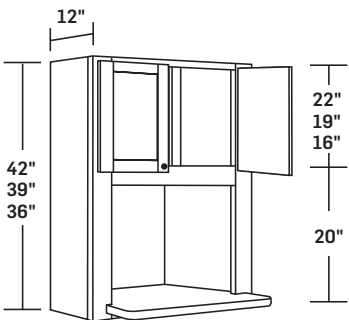
MC3039x21

#### 36" HIGH

MC3036

#### 36" HIGH

MCS3036x21



MCS3036x12 shown

## 12" DEEP MICROWAVE CABINETS WITH SHELF

- Shelf is 18" deep x 3/4" thick
- Outside corners of shelf have a slight radius
- **Shelf must be notched for field installation**
- Shelves are oak, maple, or cherry veneered composite panel
- **12" deep microwave cabinets with shelf come standard with plywood construction and matching finished interior**
- 12" deep microwave cabinets with shelf have a 23" w x 14-3/4" h opening excluding 3/4" shelf
- 42" and 39" high microwave cabinets with shelf come with one adjustable shelf in upper section
- Trimmable Max Cut Out on both cabinets: 28" w x 20" h
- **Not trimmable in Thermofoil door styles**

CFO
AD
DGW
MW
❖ FI
❖ AW
❖ MPE
■ FFE

#### 42" HIGH

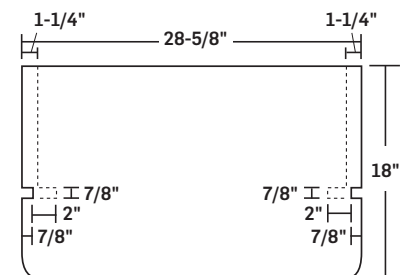
MCS3042x12

#### **NEW** 39" HIGH

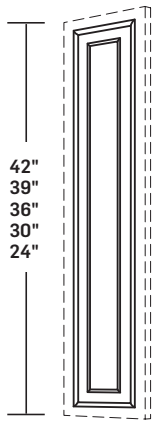
MCS3039x12

#### 36" HIGH

MCS3036x12



top view of shelf



**WALL CABINET DECORATIVE ENDS**

- Cabinet door used as decorative end panel
- Installs onto sides of exposed wall cabinet end panels (see pages 1.1-1.29) for detailed door specifications)
- Shipped loose for field installation

CFO
AD
DGW
MW
FI
AW
MPE
FFE

DECORATIVE ENDS	DOOR SIZES	
	STANDARD REVEAL	FULL OVERLAY
WDE42	10" x 39-5/8"	11-1/2" x 41"
<b>WDE39</b>	<b>10" x 36-5/8"</b>	<b>11-1/2" x 38"</b>
WDE36	10" x 33-5/8"	11-1/2" x 35"
WDE30	10" x 27-5/8"	11-1/2" x 29"
WDE24	10" x 21-5/8"	11-1/2" x 23"
WDE1542	13" x 39-5/8"	14-1/2" x 41"
<b>WDE1539</b>	<b>13" x 36-5/8"</b>	<b>14-1/2" x 38"</b>
WDE1536	13" x 33-5/8"	14-1/2" x 35"
WDE1530	13" x 27-5/8"	14-1/2" x 29"
WDE1524	13" x 21-5/8"	14-1/2" x 23"
WDE1842	16" x 39-5/8"	17-1/2" x 41"
<b>WDE1839</b>	<b>16" x 36-5/8"</b>	<b>17-1/2" x 38"</b>
WDE1836	16" x 33-5/8"	17-1/2" x 35"
WDE1830	16" x 27-5/8"	17-1/2" x 29"
WDE1824	16" x 21-5/8"	17-1/2" x 23"

**42" HIGH**

- WDE42
- WDE1542
- WDE1842

**30" HIGH**

- WDE30
- WDE1530
- WDE1830

**NEW 39" HIGH**

- WDE39
- WDE1539
- WDE1839

**24" HIGH**

- WDE24
- WDE1524
- WDE1824

**36" HIGH**

- WDE36
- WDE1536
- WDE1836

## GLASS DOOR SELECTOR

## DOOR STYLES BY WOOD SPECIES

MATERIAL	DOOR STYLE	MULLION DOORS	DOORS CUT FOR GLASS	VETRO ALUMINUM
CHERRY	Ardmore	Mullion - Mission Style	DCG	Vetro
	Langdon 5-PC / Slab	Mullion	DCG	Vetro
	Langdon Arch 5-PC / Slab	Mullion	DCG	Vetro*
MAPLE	Addison 5-PC / Slab	–	DCG	Vetro
	Ardmore	Mullion - Mission Style	DCG	Vetro
	Bedford	–	DCG	Vetro
	Belleview	–	DCG	Vetro
	Brisbin	Mullion	DCG	–
	Carlisle	–	Order Trevino Style	Vetro
	Cheswick	Mullion	DCG	–
	Edinburgh 5-PC / Slab	Mullion - Mission Style	DCG	Vetro
	Freeman	–	DCG	Vetro
	Lisburn	–	DCG	Vetro
	Norwich 5-PC / Slab	–	DCG	–
	Rossiter 5-PC / Slab	Mullion - Mission Style	DCG	Vetro
	Southampton	–	DCG	Vetro
	Trevino 5-PC / Slab	–	DCG	Vetro
	Weston 5-PC / Slab	–	DCG	Vetro
	Weston Arch 5-PC / Slab	–	DCG	Vetro*
BIRCH	Hargrove	–	DCG	–
	Salerno 5-PC / Slab	Mullion	DCG	–
	Touraine 5-PC / Slab	Mullion	DCG	–
OAK	Benton	Mullion	DCG	–
	Herndon	Mullion	DCG	–
THERMOFOIL	Marianna	–	–	Vetro
	Manor	–	–	Vetro
	Sutton	–	–	Vetro

\*Vetro doors come with square glass cutouts, regardless of door style ordered.

## MULLION DOOR CHART

(1/4" REVEAL) FULL OVERLAY DOOR STYLE

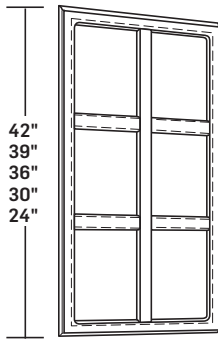
DOOR STYLES	DOOR	DOOR SIZE	GLASS SIZE
ARDMORE CHERRY ARDMORE MAPLE EDINBURGH 5-PC AND EDINBURGH SLAB	MD1524	14-1/2" x 23"	9-7/8" x 18-3/8"
	MD1824	17-1/2" x 23"	12-7/8" x 18-3/8"
	MD1530	14-1/2" x 29"	9-7/8" x 24-3/8"
	MD1830	17-1/2" x 29"	12-7/8" x 24-3/8"
	MD2130	20-1/2" x 29"	15-7/8" x 24-3/8"
	MDC2430	14-1/2" x 29"	9-7/8" x 24-3/8"
	MD1536	14-1/2" x 35"	9-7/8" x 30-3/8"
	MD1836	17-1/2" x 35"	12-7/8" x 30-3/8"
	MD2136	20-1/2" x 35"	15-7/8" x 30-3/8"
	MDC2436	14-1/2" x 35"	9-7/8" x 30-3/8"
	<b>MD1539</b>	<b>14-1/2" x 38"</b>	<b>9-7/8" x 33-3/8"</b>
	<b>MD1839</b>	<b>17-1/2" x 38"</b>	<b>12-7/8" x 33-3/8"</b>
	<b>MD2139</b>	<b>20-1/2" x 38"</b>	<b>15-7/8" x 33-3/8"</b>
	<b>MDC2439</b>	<b>14-1/2" x 38"</b>	<b>9-7/8" x 33-3/8"</b>
	MD1542	14-1/2" x 41"	9-7/8" x 36-3/8"
	MD1842	17-1/2" x 41"	12-7/8" x 36-3/8"
MD2142	20-1/2" x 41"	15-7/8" x 36-3/8"	
MDC2442	14-1/2" x 41"	9-7/8" x 36-3/8"	
LANGDON 5-PC AND LANGDON ARCH 5-PC LANGDON SLAB AND LANGDON ARCH SLAB	MD1524	14-1/2" x 23"	10-11/16" x 19-1/4"
	MD1824	17-1/2" x 23"	13-11/16" x 19-1/4"
	MD1530	14-1/2" x 29"	10-11/16" x 25-1/4"
	MD1830	17-1/2" x 29"	13-11/16" x 25-1/4"
	MD2130	20-1/2" x 29"	16-11/16" x 25-1/4"
	MDC2430	14-1/2" x 29"	10-11/16" x 25-1/4"
	MD1536	14-1/2" x 35"	10-11/16" x 31-1/4"
	MD1836	17-1/2" x 35"	13-11/16" x 31-1/4"
	MD2136	20-1/2" x 35"	16-11/16" x 31-1/4"
	MDC2436	14-1/2" x 35"	10-11/16" x 31-1/4"
	<b>MD1539</b>	<b>14-1/2" x 38"</b>	<b>10-11/16" x 34-1/4"</b>
	<b>MD1839</b>	<b>17-1/2" x 38"</b>	<b>13-11/16" x 34-1/4"</b>
	<b>MD2139</b>	<b>20-1/2" x 38"</b>	<b>16-11/16" x 34-1/4"</b>
	<b>MDC2439</b>	<b>14-1/2" x 38"</b>	<b>10-11/16" x 34-1/4"</b>
	MD1542	14-1/2" x 41"	10-11/16" x 37-1/4"
	MD1842	17-1/2" x 41"	13-11/16" x 37-1/4"
MD2142	20-1/2" x 41"	16-11/16" x 37-1/4"	
MDC2442	14-1/2" x 41"	10-11/16" x 37-1/4"	
ROSSITER 5-PC ROSSITER SLAB	MD1524	14-1/2" x 23"	11-1/16" x 19-13/16"
	MD1824	17-1/2" x 23"	14-1/16" x 19-13/16"
	MD1530	14-1/2" x 29"	11-1/16" x 25-13/16"
	MD1830	17-1/2" x 29"	14-1/16" x 25-13/16"
	MD2130	20-1/2" x 29"	17-1/16" x 25-13/16"
	MDC2430	14-1/2" x 29"	11-1/16" x 25-13/16"
	MD1536	14-1/2" x 35"	11-1/16" x 31-13/16"
	MD1836	17-1/2" x 35"	14-1/16" x 31-13/16"
	MD2136	20-1/2" x 35"	17-1/16" x 31-13/16"
	MDC2436	14-1/2" x 35"	11-1/16" x 31-13/16"
	<b>MD1539</b>	<b>14-1/2" x 38"</b>	<b>11-1/16" x 34-13/16"</b>
	<b>MD1839</b>	<b>17-1/2" x 38"</b>	<b>14-1/16" x 34-13/16"</b>
	<b>MD2139</b>	<b>20-1/2" x 38"</b>	<b>17-1/16" x 34-13/16"</b>
	<b>MDC2439</b>	<b>14-1/2" x 38"</b>	<b>11-1/16" x 34-13/16"</b>
	MD1542	14-1/2" x 41"	11-1/16" x 37-13/16"
	MD1842	17-1/2" x 41"	14-1/16" x 37-13/16"
MD2142	20-1/2" x 41"	17-1/16" x 37-13/16"	
MDC2442	14-1/2" x 41"	11-1/16" x 37-13/16"	

Ardmore, Edinburgh, and Rossiter mullion doors are Mission style design (see page 3.21 for specification design).

## MULLION DOOR CHART

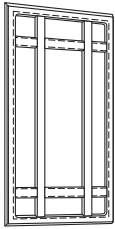
## STANDARD REVEAL DOOR STYLES

DOOR STYLES	DOOR	Door Size	Glass Size
	MD1524	13" x 21-5/8"	9-3/8" x 18"
	MD1824	16" x 21-5/8"	12-3/8" x 18"
	MD1530	13" x 27-5/8"	9-3/8" x 24"
<b>BENTON</b>	MD1830	16" x 27-5/8"	12-3/8" x 24"
	MD2130	19" x 27-5/8"	15-3/8" x 24"
<b>BRISBIN</b>	MDC2430	14-1/2" x 27-5/8"	10-7/8" x 24"
<b>CHESWICK</b>	MD1536	13" x 33-5/8"	9-3/8" x 30"
	MD1836	16" x 33-5/8"	12-3/8" x 30"
<b>HERNDON</b>	MD2136	19" x 33-5/8"	15-3/8" x 30"
<b>SALERNO 5-PC</b>	MDC2436	14-1/2" x 33-5/8"	10-7/8" x 30"
	<b>MD1539</b>	<b>13" x 36-5/8"</b>	<b>9-3/8" x 33"</b>
<b>SALERNO SLAB</b>	<b>MD1839</b>	<b>16" x 36-5/8"</b>	<b>12-3/8" x 33"</b>
	<b>MD2139</b>	<b>19" x 36-5/8"</b>	<b>15-3/8" x 33"</b>
<b>TOURAINÉ 5-PC</b>	<b>MDC2439</b>	<b>14-1/2" x 36-5/8"</b>	<b>10-7/8" x 33"</b>
<b>TOURAINÉ SLAB</b>	MD1542	13" x 39-5/8"	9-3/8" x 36"
	MD1842	16" x 39-5/8"	12-3/8" x 36"
	MD2142	19" x 39-5/8"	15-3/8" x 36"
	MDC2442	14-1/2" x 39-5/8"	10-7/8" x 36"



## MULLION DOORS

- Doors are bored for concealed hinges
- **Hinges not included (see page 10.15 for hinge choice options)**
- **Glass inserts are ordered individually. For double or butt door cabinets, order two inserts; for triple door cabinets, order three inserts. See page 10.1-10.2 for available insert styles.**
- Vinyl Retainer or Glass Insert Clips recommended for all glass installations
- See page 3.18 for specific door style availability
- **MD SKUs are ordered individually. For double or butt door cabinets, order two MDs; for triple door cabinets, order three MDs**
- **Ardmore, Edinburgh, and Rossiter have Mission Style mullions**



Mission Style Mullions

### 42" HIGH

MD1542 L or R – Fits W1542 L or R, W3042, W4542-3, W4842-3 (outer door)

MD1842 L or R – Fits W1842 L or R, W3642, W4842-3 (center door)

MD2142 L or R – Fits W2142 L or R, W4242

MDC2442 L or R – Fits CW2442 L or R, CWS2442 L or R, CW2742 L or R

### **NEW** 39" HIGH

MD1539 L or R – Fits W1539 L or R, W3039, W4539-3, W4839-3 (outer door)

MD1839 L or R – Fits W1839 L or R, W3639, W4839-3 (center door)

MD2139 L or R – Fits W2139 L or R, W4239

MDC2439 L or R – Fits CW2439 L or R, CWS2439 L or R, CW2739 L or R

### 36" HIGH

MD1536 L or R – Fits W1536 L or R, W3036, W4536-3, W4836-3 (outer door)

MD1836 L or R – Fits W1836 L or R, W3636, W4836-3 (center door)

MD2136 L or R – Fits W2136 L or R, W4236

MDC2436 L or R – Fits CW2436 L or R, CWS2436 L or R, CW2736 L or R

### 30" HIGH

MD1530 L or R – Fits W1530 L or R, W3030, W4530-3, W4830-3 (outer door)

MD1830 L or R – Fits W1830 L or R, W3630, W4830-3 (center door)

MD2130 L or R – Fits W2130 L or R, W4230

MDC2430 L or R – Fits CW2430 L or R, CWS2430 L or R, CW2730 L or R

### 24" HIGH

MD1524 L or R – Fits W1524 L or R, W3024, W4524-3, W4824-3 (outer door)

MD1824 L or R – Fits W1824 L or R, W3624, W4824-3 (center door)

**DOORS CUT FOR GLASS**

**FULL OVERLAY DOOR STYLES**

DOOR STYLES	DOOR	DOOR SIZE	GLASS SIZE
	*DCG1512	14-1/2" x 11"	9-7/8" x 6-3/8"
	*DCG1812	17-1/2" x 11"	12-7/8" x 6-3/8"
	*DCG1515	14-1/2" x 14"	9-7/8" x 9-3/8"
	*DCG1815	17-1/2" x 14"	12-7/8" x 9-3/8"
	*DCG1218	11-1/2" x 17"	6-7/8" x 12-3/8"
	*DCG1518	14-1/2" x 17"	9-7/8" x 12-3/8"
	*DCG1818	17-1/2" x 17"	12-7/8" x 12-3/8"
	*DCG2118	20-1/2" x 17"	15-7/8" x 12-3/8"
	*DCG2718	13" x 17"	8-3/8" x 12-3/8"
	*DCG3318	16" x 17"	11-3/8" x 12-3/8"
	*DCG3918	19" x 17"	14-3/8" x 12-3/8"
	<b>*DCGC2418</b>	<b>14-1/2" x 17"</b>	<b>9-7/8" x 12-3/8"</b>
	DCG1524	14-1/2" x 23"	9-7/8" x 18-3/8"
	DCG1824	17-1/2" x 23"	12-7/8" x 18-3/8"
<b>ADDISON 5-PC ADDISON SLAB</b>	DCG1230	11-1/2" x 29"	6-7/8" x 24-3/8"
	DCG1530	14-1/2" x 29"	9-7/8" x 24-3/8"
	DCG1830	17-1/2" x 29"	12-7/8" x 24-3/8"
<b>ARDMORE CHERRY</b>	DCG2130	20-1/2" x 29"	15-7/8" x 24-3/8"
	DCG2430BD	11-23/32" x 29"	7-3/32" x 24-3/8"
<b>ARDMORE MAPLE</b>	DCGC2430	14-1/2" x 29"	9-7/8" x 24-3/8"
<b>BEDFORD</b>	DCGWEC1230	16" x 29"	11-3/8" x 24-3/8"
	DCG1236	11-1/2" x 35"	6-7/8" x 30-3/8"
<b>EDINBURGH 5-PC EDINBURGH SLAB</b>	DCG1536	14-1/2" x 35"	9-7/8" x 30-3/8"
	DCG1836	17-1/2" x 35"	12-7/8" x 30-3/8"
	DCG2136	20-1/2" x 35"	15-7/8" x 30-3/8"
<b>FREEMAN</b>	DCG2436BD	11-23/32" x 35"	7-3/32" x 30-3/8"
	DCGC2436	14-1/2" x 35"	9-7/8" x 30-3/8"
<b>SOUTHAMPTON</b>	DCGWEC1236	16" x 35"	11-3/8" x 30-3/8"
	<b>DCG1239</b>	<b>11-1/2" x 38"</b>	<b>6-7/8" x 33-3/8"</b>
	<b>DCG1539</b>	<b>14-1/2" x 38"</b>	<b>9-7/8" x 33-3/8"</b>
	<b>DCG1839</b>	<b>17-1/2" x 38"</b>	<b>12-7/8" x 33-3/8"</b>
	<b>DCG2139</b>	<b>20-1/2" x 38"</b>	<b>15-7/8" x 33-3/8"</b>
	<b>DCG2439BD</b>	<b>11-23/32" x 38"</b>	<b>7-3/32" x 33-3/8"</b>
	<b>DCGC2439</b>	<b>14-1/2" x 38"</b>	<b>9-7/8" x 33-3/8"</b>
	<b>DCGWEC1239</b>	<b>16" x 38"</b>	<b>11-3/8" x 33-3/8"</b>
	DCG1242	11-1/2" x 41"	6-7/8" x 36-3/8"
	DCG1542	14-1/2" x 41"	9-7/8" x 36-3/8"
	DCG1842	17-1/2" x 41"	12-7/8" x 36-3/8"
	DCG2142	20-1/2" x 41"	15-7/8" x 36-3/8"
	DCG2442BD	11-23/32" x 41"	7-3/32" x 36-3/8"
	DCGC2442	14-1/2" x 41"	9-7/8" x 36-3/8"
	DCGWEC1242	16" x 41"	11-3/8" x 36-3/8"

\* Doors cut for glass in these sizes are offered in clear or frost glass inserts only. Not available on arch door styles.



## DOORS CUT FOR GLASS

## FULL OVERLAY DOOR STYLES (continued)

DOOR STYLES	DOOR	DOOR SIZE	GLASS SIZE
	*DCG1512	14-1/2" x 11"	10-11/16" x 7-1/4"
	*DCG1812	17-1/2" x 11"	13-11/16" x 7-1/4"
	*DCG1515	14-1/2" x 14"	10-11/16" x 10-1/4"
	*DCG1815	17-1/2" x 14"	13-11/16" x 10-1/4"
	*DCG1218	11-1/2" x 17"	7-11/16" x 13-1/4"
	*DCG1518	14-1/2" x 17"	10-11/16" x 13-1/4"
	*DCG1818	17-1/2" x 17"	13-11/16" x 13-1/4"
	*DCG2118	20-1/2" x 17"	16-11/16" x 13-1/4"
	*DCG2718	13" x 17"	9-3/16" x 13-1/4"
	*DCG3318	16" x 17"	12-3/16" x 13-1/4"
	*DCG3918	19" x 17"	15-3/16" x 13-1/4"
	<b>*DCGC2418</b>	<b>14-1/2" x 17"</b>	<b>10-11/16" x 13-1/4"</b>
	DCG1524	14-1/2" x 23"	10-11/16" x 19-1/4"
	DCG1824	17-1/2" x 23"	13-11/16" x 19-1/4"
	DCG1230	11-1/2" x 29"	7-11/16" x 25-1/4"
	DCG1530	14-1/2" x 29"	10-11/16" x 25-1/4"
	DCG1830	17-1/2" x 29"	13-11/16" x 25-1/4"
	DCG2130	20-1/2" x 29"	16-11/16" x 25-1/4"
	DCG2430BD	11-23/32" x 29"	7-29/32" x 25-1/4"
	DCGC2430	14-1/2" x 29"	10-11/16" x 25-1/4"
	DCGWEC1230	16" x 29"	12-3/16" x 25-1/4"
	DCG1236	11-1/2" x 35"	7-11/16" x 31-1/4"
	DCG1536	14-1/2" x 35"	10-11/16" x 31-1/4"
	DCG1836	17-1/2" x 35"	13-11/16" x 31-1/4"
	DCG2136	20-1/2" x 35"	16-11/16" x 31-1/4"
	DCG2436BD	11-23/32" x 35"	7-29/32" x 31-1/4"
	DCGC2436	14-1/2" x 35"	10-11/16" x 31-1/4"
	DCGWEC1236	16" x 35"	12-3/16" x 31-1/4"
	<b>DCG1239</b>	<b>11-1/2" x 38"</b>	<b>7-11/16" x 34-1/4"</b>
	<b>DCG1539</b>	<b>14-1/2" x 38"</b>	<b>10-11/16" x 34-1/4"</b>
	<b>DCG1839</b>	<b>17-1/2" x 38"</b>	<b>13-11/16" x 34-1/4"</b>
	<b>DCG2139</b>	<b>20-1/2" x 38"</b>	<b>16-11/16" x 34-1/4"</b>
	<b>DCG2439BD</b>	<b>11-23/32" x 38"</b>	<b>7-29/32" x 34-1/4"</b>
	<b>DCGC2439</b>	<b>14-1/2" x 38"</b>	<b>10-11/16" x 34-1/4"</b>
	<b>DCGWEC1239</b>	<b>16" x 38"</b>	<b>12-3/16" x 34-1/4"</b>
	DCG1242	11-1/2" x 41"	7-11/16" x 37-1/4"
	DCG1542	14-1/2" x 41"	10-11/16" x 37-1/4"
	DCG1842	17-1/2" x 41"	13-11/16" x 37-1/4"
	DCG2142	20-1/2" x 41"	16-11/16" x 37-1/4"
	DCG2442BD	11-23/32" x 41"	7-29/32" x 37-1/4"
	DCGC2442	14-1/2" x 41"	10-11/16" x 37-1/4"
	DCGWEC1242	16" x 41"	12-3/16" x 37-1/4"

\* Doors cut for glass in these sizes are offered in clear or frost glass inserts only. Not available on arch door styles.

## DOORS CUT FOR GLASS

(1/4" REVEAL) FULL OVERLAY DOOR STYLES (continued)

DOOR STYLES	DOOR	DOOR SIZE	GLASS SIZE
	*DCG1512	14-1/2" x 11"	11-1/8" x 7-5/8"
	*DCG1812	17-1/2" x 11"	14-1/8" x 7-5/8"
	*DCG1515	14-1/2" x 14"	11-1/8" x 10-5/8"
	*DCG1815	17-1/2" x 14"	14-1/8" x 10-5/8"
	*DCG1218	11-1/2" x 17"	8-1/8" x 13-5/8"
	*DCG1518	14-1/2" x 17"	11-1/8" x 13-5/8"
	*DCG1818	17-1/2" x 17"	14-1/8" x 13-5/8"
	*DCG2118	20-1/2" x 17"	17-1/8" x 13-5/8"
	*DCG2718	13" x 17"	9-5/8" x 13-5/8"
	*DCG3318	16" x 17"	12-5/8" x 13-5/8"
	<b>*DCGC2418</b>	<b>14-1/2" x 17"</b>	<b>11-1/8" x 13-5/8"</b>
	*DCG3918	19" x 17"	15-5/8" x 13-5/8"
	DCG1524	14-1/2" x 23"	11-1/8" x 19-5/8"
	DCG1824	17-1/2" x 23"	14-1/8" x 19-5/8"
	DCG1230	11-1/2" x 29"	8-1/8" x 25-5/8"
	DCG1530	14-1/2" x 29"	11-1/8" x 25-5/8"
	DCG1830	17-1/2" x 29"	14-1/8" x 25-5/8"
	DCG2130	20-1/2" x 29"	17-1/8" x 25-5/8"
	DCG2430BD	11-23/32" x 29"	8-11/32" x 25-5/8"
	DCGC2430	14-1/2" x 29"	11-1/8" x 25-5/8"
LISBURN	DCGWEC1230	16" x 29"	12-5/8" x 25-5/8"
WESTON	DCG1236	11-1/2" x 35"	8-1/8" x 31-5/8"
5-PC / SLAB	DCG1536	14-1/2" x 35"	11-1/8" x 31-5/8"
WESTON ARCH	DCG1836	17-1/2" x 35"	14-1/8" x 31-5/8"
5-PC / SLAB	DCG2136	20-1/2" x 35"	17-1/8" x 31-5/8"
	DCG2436BD	11-23/32" x 35"	8-11/32" x 31-5/8"
	DCGC2436	14-1/2" x 35"	11-1/8" x 31-5/8"
	DCGWEC1236	16" x 35"	12-5/8" x 31-5/8"
	<b>DCG1239</b>	<b>11-1/2" x 38"</b>	<b>8-1/8" x 34-5/8"</b>
	<b>DCG1539</b>	<b>14-1/2" x 38"</b>	<b>11-1/8" x 34-5/8"</b>
	<b>DCG1839</b>	<b>17-1/2" x 38"</b>	<b>14-1/8" x 34-5/8"</b>
	<b>DCG2139</b>	<b>20-1/2" x 38"</b>	<b>17-1/8" x 34-5/8"</b>
	<b>DCG2439BD</b>	<b>11-23/32" x 38"</b>	<b>8-11/32" x 34-5/8"</b>
	<b>DCGC2439</b>	<b>14-1/2" x 38"</b>	<b>11-1/8" x 34-5/8"</b>
	<b>DCGWEC1239</b>	<b>16" x 38"</b>	<b>12-5/8" x 34-5/8"</b>
	DCG1242	11-1/2" x 41"	8-1/8" x 37-5/8"
	DCG1542	14-1/2" x 41"	11-1/8" x 37-5/8"
	DCG1842	17-1/2" x 41"	14-1/8" x 37-5/8"
	DCG2142	20-1/2" x 41"	17-1/8" x 37-5/8"
	DCG2442BD	11-23/32" x 41"	8-11/32" x 37-5/8"
	DCGC2442	14-1/2" x 41"	11-1/8" x 37-5/8"
	DCGWEC1242	16" x 41"	12-5/8" x 37-5/8"

\* Doors cut for glass in these sizes are offered in clear or frost glass inserts only. Not available on arch door styles.

## DOORS CUT FOR GLASS

## FULL OVERLAY DOOR STYLES (continued)

DOOR STYLES	DOOR	DOOR SIZE	GLASS SIZE
	*DCG1512	14-1/2" x 11"	11-1/16" x 7-13/16"
	*DCG1812	17-1/2" x 11"	14-1/16" x 7-13/16"
	*DCG1515	14-1/2" x 14"	11-1/16" x 10-13/16"
	*DCG1815	17-1/2" x 14"	14-1/16" x 10-13/16"
	*DCG1218	11-1/2" x 17"	8-1/16" x 13-13/16"
	*DCG1518	14-1/2" x 17"	11-1/16" x 13-13/16"
	*DCG1818	17-1/2" x 17"	14-1/16" x 13-13/16"
	*DCG2118	20-1/2" x 17"	17-1/16" x 13-13/16"
	*DCG2718	13" x 17"	9-9/16" x 13-13/16"
	*DCG3318	16" x 17"	12-9/16" x 13-13/16"
	*DCG3918	19" x 17"	15-9/16" x 13-13/16"
	<b>*DCGC2418</b>	<b>14-1/2" x 17"</b>	<b>11-1/16" x 13-13/16"</b>
	DCG1524	14-1/2" x 23"	11-1/16" x 19-13/16"
	DCG1824	17-1/2" x 23"	14-1/16" x 19-13/16"
	DCG1230	11-1/2" x 29"	8-1/16" x 25-13/16"
	DCG1530	14-1/2" x 29"	11-1/16" x 25-13/16"
	DCG1830	17-1/2" x 29"	14-1/16" x 25-13/16"
	DCG2130	20-1/2" x 29"	17-1/16" x 25-13/16"
	DCG2430BD	11-23/32" x 29"	8-9/32" x 25-13/16"
	DCGC2430	14-1/2" x 29"	11-1/16" x 25-13/16"
<b>ROSSITER 5-PC</b>	DCGWEC1230	16" x 29"	12-9/16" x 25-13/16"
<b>ROSSITER SLAB</b>	DCG1236	11-1/2" x 35"	8-1/16" x 31-13/16"
	DCG1536	14-1/2" x 35"	11-1/16" x 31-13/16"
	DCG1836	17-1/2" x 35"	14-1/16" x 31-13/16"
	DCG2136	20-1/2" x 35"	17-1/16" x 31-13/16"
	DCG2436BD	11-23/32" x 35"	8-9/32" x 31-13/16"
	DCGC2436	14-1/2" x 35"	11-1/16" x 31-13/16"
	DCGWEC1236	16" x 35"	12-9/16" x 31-13/16"
	<b>DCG1239</b>	<b>11-1/2" x 38"</b>	<b>8-1/16" x 34-13/16"</b>
	<b>DCG1539</b>	<b>14-1/2" x 38"</b>	<b>11-1/16" x 34-13/16"</b>
	<b>DCG1839</b>	<b>17-1/2" x 38"</b>	<b>14-1/16" x 34-13/16"</b>
	<b>DCG2139</b>	<b>20-1/2" x 38"</b>	<b>17-1/16" x 34-13/16"</b>
	<b>DCG2439BD</b>	<b>11-23/32" x 38"</b>	<b>8-9/32" x 34-13/16"</b>
	<b>DCGC2439</b>	<b>14-1/2" x 38"</b>	<b>11-1/16" x 34-13/16"</b>
	<b>DCGWEC1239</b>	<b>16" x 38"</b>	<b>12-9/16" x 37-13/16"</b>
	DCG1242	11-1/2" x 41"	8-1/16" x 37-13/16"
	DCG1542	14-1/2" x 41"	11-1/16" x 37-13/16"
	DCG1842	17-1/2" x 41"	14-1/16" x 37-13/16"
	DCG2142	20-1/2" x 41"	17-1/16" x 37-13/16"
	DCG2442BD	11-23/32" x 41"	8-9/32" x 37-13/16"
	DCGC2442	14-1/2" x 41"	11-1/16" x 37-13/16"
	DCGWEC1242	16" x 41"	12-9/16" x 37-13/16"

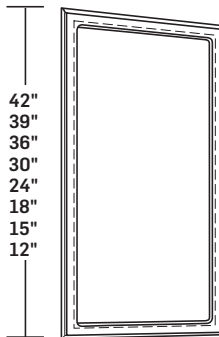
\* Doors cut for glass in these sizes are offered in clear or frost glass inserts only. Not available on arch door styles.

## DOORS CUT FOR GLASS

### STANDARD REVEAL DOOR STYLES

DOOR STYLES	DOOR	DOOR SIZE	GLASS SIZE
	*DCG1512	13" x 9-5/8"	9-3/8" x 6"
	*DCG1812	16" x 9-5/8"	12-3/8" x 6"
	*DCG1515	13" x 12-5/8"	9-3/8" x 9"
	*DCG1815	16" x 12-5/8"	12-3/8" x 9"
	*DCG1218	10" x 15-5/8"	6-3/8" x 12"
	*DCG1518	13" x 15-5/8"	9-3/8" x 12"
	*DCG1818	16" x 15-5/8"	12-3/8" x 12"
	*DCG2118	19" x 15-5/8"	15-3/8" x 12"
	*DCG2718	11-1/2" x 15-5/8"	7-7/8" x 12"
	*DCG3318	14-1/2" x 15-5/8"	10-7/8" x 12"
	*DCG3918	17-1/2" x 15-5/8"	13-7/8" x 12"
	<b>*DCGC2418</b>	<b>14-1/2" x 15-5/8"</b>	<b>10-3/8" x 12"</b>
	DCG1524	13" x 21-5/8"	9-3/8" x 18"
<b>BENTON</b>	DCG1824	16" x 21-5/8"	12-3/8" x 18"
	DCG1230	10" x 27-5/8"	6-3/8" x 24"
<b>BRISBIN</b>	DCG1530	13" x 27-5/8"	9-3/8" x 24"
	DCG1830	16" x 27-5/8"	12-3/8" x 24"
<b>CHESWICK</b>	DCG2130	19" x 27-5/8"	15-3/8" x 24"
	DCG2430BD	10-31/32" x 27-5/8"	7-11/32" x 24"
<b>HARGROVE</b>	DCGC2430	14-1/2" x 27-5/8"	10-3/8" x 24"
	DCGWEC1230	13" x 27-5/8"	9-3/8" x 24"
<b>HERNDON</b>	DCG1236	10" x 33-5/8"	6-3/8" x 30"
<b>NORWICH 5-PC NORWICH SLAB</b>	DCG1536	13" x 33-5/8"	9-3/8" x 30"
	DCG1836	16" x 33-5/8"	12-3/8" x 30"
	DCG2136	19" x 33-5/8"	15-3/8" x 30"
<b>SALERNO 5-PC SALERNO SLAB</b>	DCG2436BD	10-31/32" x 33-5/8"	7-11/32" x 30"
	DCGC2436	14-1/2" x 33-5/8"	10-3/8" x 30"
<b>TOURAINÉ 5-PC TOURAINÉ SLAB</b>	DCGWEC1236	13" x 33-5/8"	9-3/8" x 30"
	<b>DCG1239</b>	<b>10" x 36-5/8"</b>	<b>6-3/8" x 33"</b>
	<b>DCG1539</b>	<b>13" x 36-5/8"</b>	<b>9-3/8" x 33"</b>
	<b>DCG1839</b>	<b>16" x 36-5/8"</b>	<b>12-3/8" x 33"</b>
	<b>DCG2139</b>	<b>19" x 36-5/8"</b>	<b>15-3/8" x 33"</b>
	<b>DCG2439BD</b>	<b>10-31/32" x 36-5/8"</b>	<b>7-11/32" x 33"</b>
	<b>DCGC2439</b>	<b>14-1/2" x 36-5/8"</b>	<b>10-3/8" x 33"</b>
	<b>DCGWEC1239</b>	<b>13" x 36-5/8"</b>	<b>9-3/8" x 33"</b>
	DCG1242	10" x 39-5/8"	6-3/8" x 36"
	DCG1542	13" x 39-5/8"	9-3/8" x 36"
	DCG1842	16" x 39-5/8"	12-3/8" x 36"
	DCG2142	19" x 39-5/8"	15-3/8" x 36"
	DCG2442BD	10-31/32" x 39-5/8"	7-11/32" x 36"
	DCGC2442	14-1/2" x 39-5/8"	10-3/8" x 36"
	DCGWEC1242	13" x 39-5/8"	9-3/8" x 36"

\* Doors cut for glass in these sizes are offered in clear or frost glass inserts only. Not available on arch door styles.



## DOORS CUT FOR GLASS

- Doors are bored for concealed hinges
- **Hinges not included (see page 10.15 for hinge choice options)**
- **Glass inserts are ordered individually. For double or butt door cabinets, order two inserts; for triple door cabinets, order three inserts. See page 10.1-10.2 for available insert styles.**
- Vinyl Retainer or Glass Insert Clips recommended for all glass installations
- See page 3.18 for specific door style availability
- **DCG SKUs are ordered individually. For double or butt door cabinets, order two DCGs; for triple door cabinets, order three DCGs**

### 42" HIGH

DCG1242 L or R – Fits W1242 L or R  
 DCG1542 L or R – Fits W1542 L or R, W3042, W4542-3,  
 W4842-3 (outer door)  
 DCG1842 L or R – Fits W1842 L or R, W3642,  
 W4842-3 (center door)  
 DCG2142 L or R – Fits W2142 L or R, W4242  
 DCGC2442 L or R – Fits CW2442 L or R, CWS2442 L or R,  
 CW2742 L or R  
 DCG2442BD L or R – Fits W2442BD  
 DCGWEC1242 L or R – Fits WEC1242 L or R

### **NEW** 39" HIGH

DCG1239 L or R – Fits W1239 L or R  
 DCG1539 L or R – Fits W1539 L or R, W3039, W4539-3,  
 W4839-3 (outer door)  
 DCG1839 L or R – Fits W1839 L or R, W3639,  
 W4839-3 (center door)  
 DCG2139 L or R – Fits W2139 L or R, W4239  
 DCGC2439 L or R – Fits CW2439 L or R, CWS2439 L or R,  
 CW2739 L or R  
 DCG2439BD L or R – Fits W2439BD  
 DCGWEC1239 L or R – Fits WEC1239 L or R

### 36" HIGH

DCG1236 L or R – Fits W1236 L or R  
 DCG1536 L or R – Fits W1536 L or R, W3036, W4536-3,  
 W4836-3 (outer door)  
 DCG1836 L or R – Fits W1836 L or R, W3636,  
 W4836-3 (center door)  
 DCG2136 L or R – Fits W2136 L or R, W4236  
 DCGC2436 L or R – Fits CW2436 L or R, CWS2436 L or R,  
 CW2736  
 DCG2436BD L or R – Fits W2436BD  
 DCGWEC1236 L or R – Fits WEC1236 L or R

### 30" HIGH

DCG1230 L or R – Fits W1230 L or R  
 DCG1530 L or R – Fits W1530 L or R, W3030, W4530-3,  
 W4830-3 (outer door)  
 DCG1830 L or R – Fits W1830 L or R, W3630,  
 W4830-3 (center door)  
 DCG2130 L or R – Fits W2130 L or R, W4230  
 DCGC2430 L or R – Fits CW2430 L or R, CWS2430 L or R,  
 CW2730 L or R  
 DCG2430BD L or R – Fits W2430BD  
 DCGWEC1230 L or R – Fits WEC1230 L or R

### 24" HIGH

DCG1524 L or R – Fits W1524 L or R, W3024, W4524-3,  
 W4824-3 (outer door)  
 DCG1824 L or R – Fits W1824 L or R, W3624,  
 W4824-3 (center door)

### 18" HIGH

DCG1218 L or R – Fits W1218 L or R, W2418  
 DCG1518 L or R – Fits W1518 L or R, W3018, W4518-3  
 DCG1818 L or R – Fits W1818 L or R, W3618  
 DCG2118 L or R – Fits W2118 L or R

**NEW** DCGC2418 L or R – Fits CW2418 L or R, CW2718 L or R  
 DCG2718 L or R – Fits W2718  
 DCG3318 L or R – Fits W3318  
 DCG3918 L or R – Fits W3918

### 15" HIGH

DCG1515 L or R – Fits W1515 L or R, W4515-3,  
 W4815-3 (outer door)  
 DCG1815 L or R – Fits W1815 L or R, W4815-3 (center door)

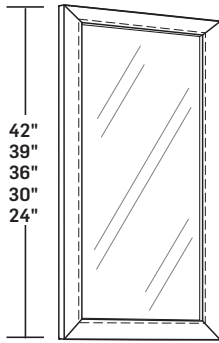
### 12" HIGH

DCG1512 L or R – Fits W1512 L or R  
 DCG1812 L or R – Fits W1812 L or R

## VETRO ALUMINUM DOORS (REAR MOUNT GLASS)

### FULL OVERLAY DOOR STYLES ONLY

DOOR STYLES	DOOR	DOOR SIZE	GLASS SIZE
	<b>ALDCG1818</b>	<b>17-1/2" x 17"</b>	<b>13-15/32" x 12-31/32"</b>
	ALDCG1524	14-1/2" x 23"	10-15/32" x 18-31/32"
<b>ADDISON</b>	ALDCG1824	17-1/2" x 23"	13-15/32" x 18-31/32"
<b>ARDMORE CHERRY</b>	ALDCG1530	14-1/2" x 29"	10-15/32" x 24-31/32"
<b>ARMORE MAPLE</b>	ALDCG1830	17-1/2" x 29"	13-15/32" x 24-31/32"
<b>BEDFORD</b>	ALDCG2130	20-1/2" x 29"	16-15/32" x 24-31/32"
<b>BELLEVIEW</b>	ALDCGC2430	14-1/2" x 29"	10-15/32" x 24-31/32"
<b>CARLISLE</b>	ALDCG1536	14-1/2" x 35"	10-15/32" x 30-31/32"
<b>EDINBURGH 5-PC / SLAB</b>	ALDCG1836	17-1/2" x 35"	13-15/32" x 30-31/32"
<b>FREEMAN</b>	ALDCG2136	20-1/2" x 35"	16-15/32" x 30-31/32"
<b>LANGDON 5-PC / SLAB</b>	ALDCGC2436	14-1/2" x 35"	10-15/32" x 30-31/32"
<b>LISBURN</b>	<b>ALDCG1539</b>	<b>14-1/2" x 38"</b>	<b>10-15/32" x 33-31/32"</b>
<b>MARIANNA</b>	<b>ALDCG1839</b>	<b>17-1/2" x 38"</b>	<b>13-15/32" x 33-31/32"</b>
<b>MANOR</b>	<b>ALDCG2139</b>	<b>20-1/2" x 38"</b>	<b>16-15/32" x 33-31/32"</b>
<b>ROSSITER 5-PC / SLAB</b>	<b>ALDCGC2439</b>	<b>14-1/2" x 38"</b>	<b>10-15/32" x 33-31/32"</b>
<b>SOUTHAMPTON</b>	ALDCG1542	14-1/2" x 41"	10-15/32" x 36-31/32"
<b>SUTTON</b>	ALDCG1842	17-1/2" x 41"	13-15/32" x 36-31/32"
<b>TREVINO 5-PC / SLAB</b>	ALDCG2142	20-1/2" x 41"	16-15/32" x 36-31/32"
<b>WESTON 5-PC / SLAB</b>	ALDCGC2442	14-1/2" x 41"	10-15/32" x 36-31/32"



## VETRO ALUMINUM DOORS

- Doors are bored for concealed hinges
- **Must order 1-1/4" overlay hinges or Gentle-Touch hinges separately**
- 42" and 39" high doors require 3 hinges per door  
36", 30" and 24" high doors require 2 hinges per door
- **5/32" thick satin frost glass installed in each door**
- Order bumper pads separately
- Available in full overlay styles only see chart on page 3.28

### 42" HIGH

ALDCG1542	Fits W1542 L or R, W3042, W4542-3, W4842-3 (outer door)
ALDCG1842	Fits W1842 L or R, W3642, W4842-3 (center door)
ALDCG2142	Fits W2142 L or R, W4242
ALDCGC2442	Fits CW2442 L or R, CWS2442 L or R, CW2742 L or R

### **NEW** 39" HIGH

ALDCG1539	Fits W1539 L or R, W3039, W4539-3, W4839-3 (outer door)
ALDCG1839	Fits W1839 L or R, W3639, W4839-3 (center door)
ALDCG2139	Fits W2139 L or R, W4239
ALDCGC2439	Fits CW2439 L or R, CWS2439 L or R, CW2739 L or R

### 36" HIGH

ALDCG1536	Fits W1536 L or R, W3036, W4536-3, W4836-3 (outer door)
ALDCG1836	Fits W1836 L or R, W3636, W4836-3 (center door)
ALDCG2136	Fits W2136 L or R, W4236
ALDCGC2436	Fits CW2436 L or R, CWS2436 L or R, CW2736 L or R

### 30" HIGH

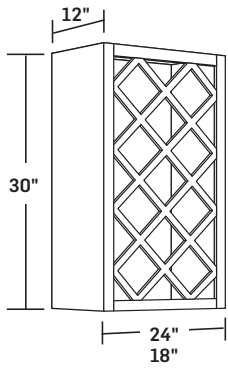
ALDCG1530	Fits W1530 L or R, W3030, W4530-3, W4830-3 (outer door)
ALDCG1830	Fits W1830 L or R, W3630, W4830-3 (center door)
ALDCG2130	Fits W2130 L or R, W4230
ALDCGC2430	Fits CW2430 L or R, CWS2430 L or R, CW2730 L or R

### 24" HIGH

ALDCG1524	Fits W1524 L or R, W3024, W4524-3, W4824-3 (outer door)
ALDCG1824	Fits W1824 L or R, W3624, W4824-3 (center door)

### **NEW** 18" HIGH

ALDCG1818	Fits W1818 L or R
-----------	-------------------

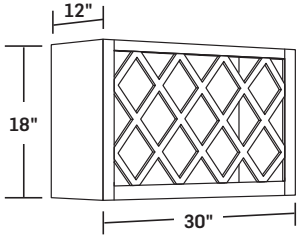


**WINE RACK WALL CABINETS**

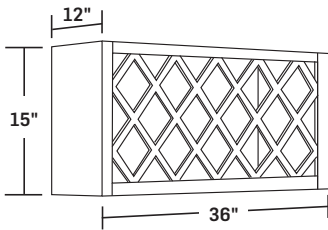
- 30" and 18" high wine racks have 11 bottle capacities  
15" high wine rack has a 14 bottle capacity
- **Wine rack wall cabinets come standard with plywood construction and matching finished interior**
- Not available with glaze detailing

**30" HIGH**  
WR1830  
**NEW** WR2430

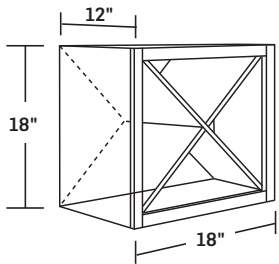
CFO
AD
DGW
MW
❖ FI
❖ AW
❖ MPE
■ FFE



**18" HIGH**  
WR3018



**15" HIGH**  
WR3615



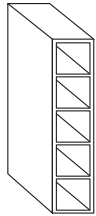
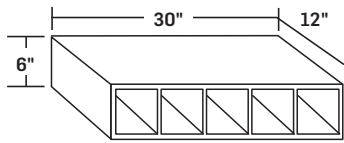
**WINE STORAGE CUBE**

- **Wine storage cube comes standard with plywood construction and matching finished interior**
- Not available with glaze detailing

**18" HIGH**  
WSC1818

CFO
AD
DGW
MW
❖ FI
❖ AW
❖ MPE
FFE





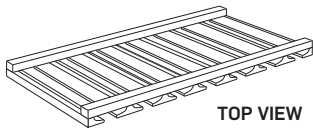
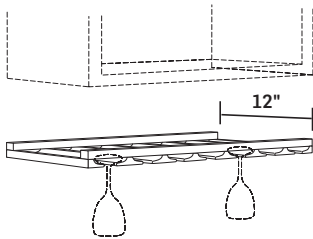
alternate installation

### WINE CUBE

- Available in maple, cherry, or oak veneer construction
- Maple used when ordering birch, painted, or thermofoil door styles
- Finished interior and exterior
- Each opening is 5-1/4" h x 5-1/4" w
- Not available with glaze detailing

WC30

CFO
AD
DGW
MW
❖ FI
❖ AW
MPE
FFE

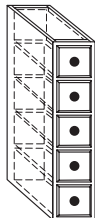
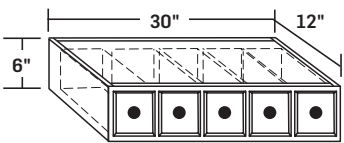


### 36" WIDE STEM GLASS HOLDER

- Available in oak or maple
- Maple used when ordering birch, painted, or thermofoil door styles
- Trimmable widths
- Mounts beneath 36" wide wall cabinets or smaller
- Not available with glaze detailing

SGH36

CFO
AD
DGW
MW
FI
AW
MPE
FFE



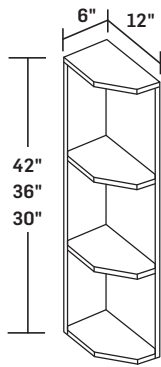
alternate installation

### APOTHECARY SPICE DRAWERS

- Available in maple, cherry, or oak veneer plywood construction
- Maple used when ordering birch, painted, or thermofoil door styles
- Drawer sets convert to horizontal or vertical usage. Use 1/2" filler strip above when installed vertically against base cabinet.
- Drawer front profiles are generic eased edge profile and do not necessarily match door profile
- Five clear coat wood pull out spice drawers set loose in opening without drawer guides
- **Decorative hardware is required and not included**
- Not available with glaze detailing

SD30

CFO
AD
DGW
MW
FI
❖ AW
MPE
FFE



30" high shown

### KNICK KNACK WALL SHELVES

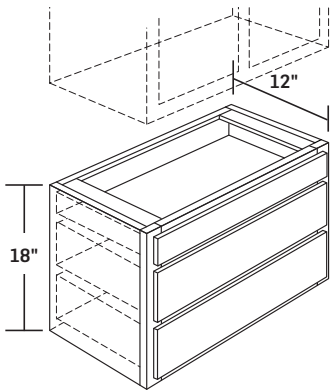
- Available in maple, cherry, or oak veneer
- Maple used when ordering birch, painted, or thermofoil door styles
- Finished interior
- Shelves are 3/4" thick and cut at a 45° angle to accommodate molding
- Shelves are equal distance spacing
- Not available with glaze detailing

**42" HIGH**  
WS42

**36" HIGH**  
WS36

**30" HIGH**  
WS30

CFO
AD
DGW
MW
FI
AW
MPE
FFE

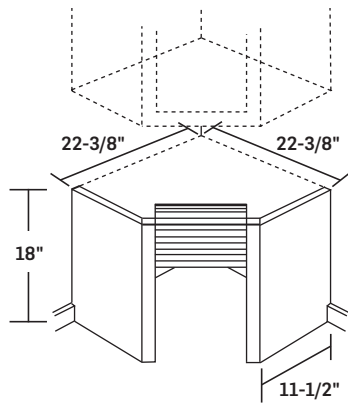


### DRAWER STORAGE

- Top drawer comes with slab profile regardless of style ordered
- Install beneath 18", 24", or 30" wide cabinet. Designed to sit on countertop
- Cabinet comes with dovetail drawers and full-extension soft-close drawer guides

DS18  
DS24  
DS30

CFO
■ AD
DGW
MW
FI
■ AW
■ MPE
■ FFE

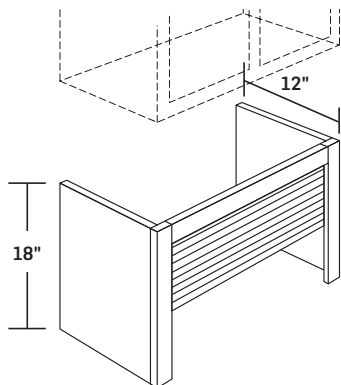


### APPLIANCE GARAGE

- Available in oak, maple, or cherry
- Assembly required
- Tambour roll down door
- Install beneath corner wall cabinets. Designed to sit on countertop
- Glaze detailing available on tambour door only
- Opening: 13-3/4" w x 14-1/2" h

AG2418

CFO
AD
DGW
MW
FI
AW
MPE
FFE

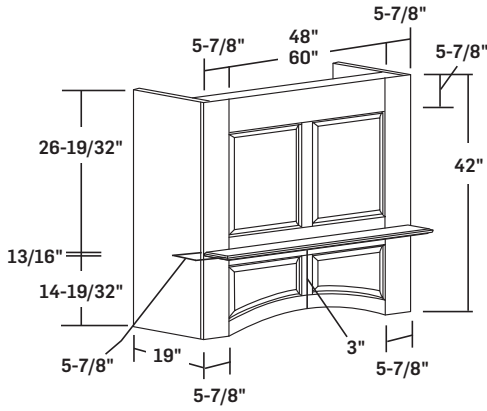


### STRAIGHT APPLIANCE GARAGE

- Available in oak, maple, or cherry
- Assembly required
- Tambour roll down door
- Install beneath 24" or 30" wide cabinet. Designed to sit on countertop
- Glaze detailing available on tambour door only
- Opening: SAG2418: 21" w x 14" h (clear)  
SAG3018: 27" w x 14" h (clear)

SAG2418  
SAG3018

CFO
AD
DGW
MW
FI
AW
MPE
FFE



**WOOD HOOD MANTLES**

- Available in maple or cherry
- Shipped with silver metallic powder-coated metal liner
- Blower units must be ordered separately

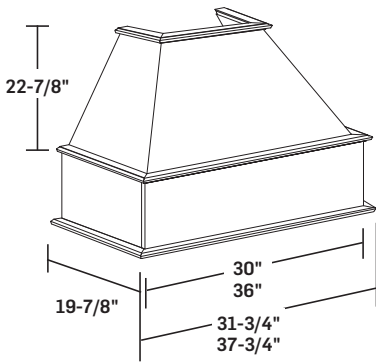
**48" WIDE**

WHM48

**60" WIDE**

WHM60

CFO
AD
DGW
MW
FI
AW
MPE
FFE



**WOOD HOOD CHIMNEYS**

- Available in maple or cherry
- Shipped with silver metallic powder-coated metal liner
- Blower units must be ordered separately
- Chimney stack must be ordered separately

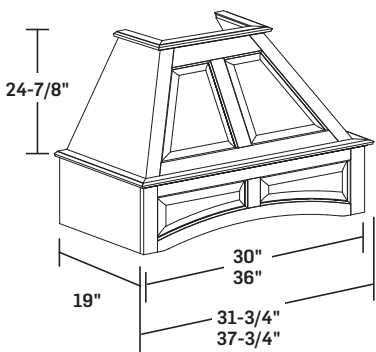
**30" WIDE**

WHC30

**36" WIDE**

WHC36

CFO
AD
DGW
MW
FI
AW
MPE
FFE



**WOOD HOOD ARCHED CHIMNEYS**

- Available in maple or cherry
- Shipped with silver metallic powder-coated metal liner
- Blower units must be ordered separately
- Chimney stack must be ordered separately

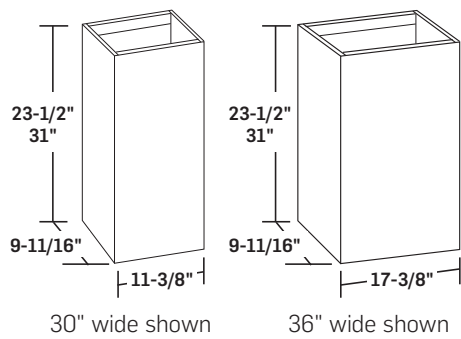
**30" WIDE**

WHAC30

**36" WIDE**

WHAC36

CFO
AD
DGW
MW
FI
AW
MPE
FFE



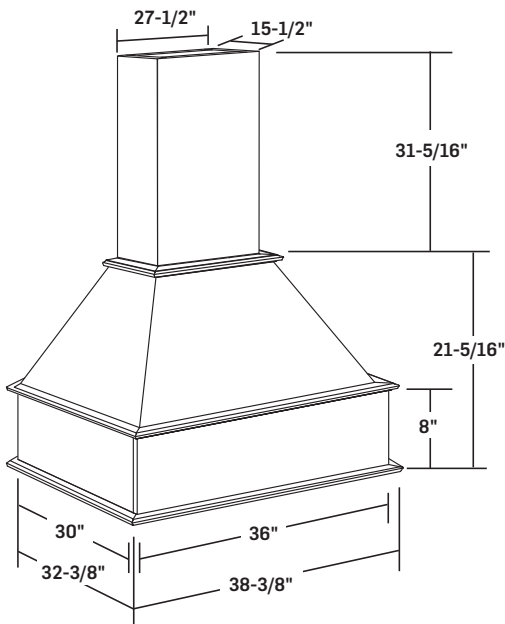
**CHIMNEY STACKS FOR WOOD HOODS**

- Available in maple or cherry
- For use with WHC and WHAC wood hoods
- Available in two heights
- Blower units must be ordered separately
- Chimney is three sided with support brace for back
- Not available with glaze detailing

**30" WIDE**  
WHCS3023  
WHCS3031

**36" WIDE**  
WHCS3623  
WHCS3631

CFO
AD
DGW
MW
FI
AW
MPE
FFE

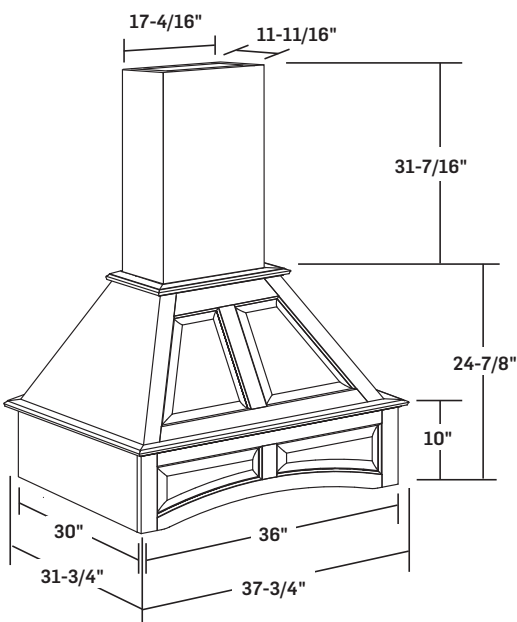


**36" WIDE PENINSULA WOOD HOOD CHIMNEY**

- Available in maple or cherry
- Shipped with silver metallic powder-coated metal liner
- Blower units must be ordered separately
- Chimney stack included

WHPC36

CFO
AD
DGW
MW
FI
AW
MPE
FFE

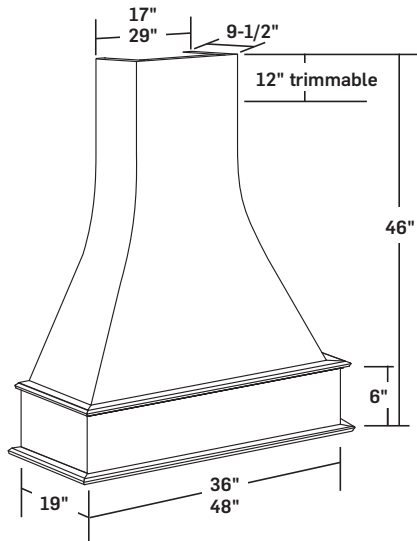


**36" WIDE PENINSULA WOOD HOOD ARCHED CHIMNEY**

- Available in maple or cherry
- Shipped with silver metallic powder-coated metal liner
- Blower units must be ordered separately
- Chimney stack included
- Available only in raised panel option as shown

WHPAC36

CFO
AD
DGW
MW
FI
AW
MPE
FFE



**36" AND 48" WIDE COVERED WOOD HOODS**

- Available in maple or cherry
- Shipped with silver metallic powder-coated metal liner
- Blower units must be ordered separately

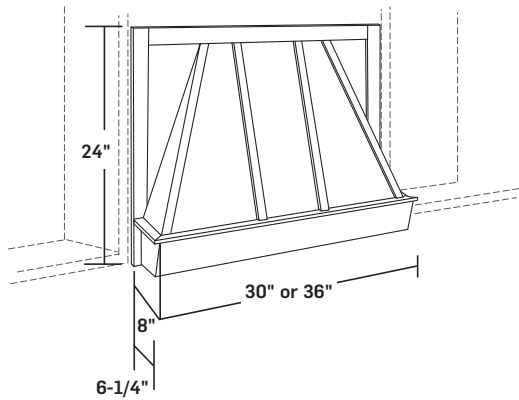
**36" WIDE**

WHCV36

**48" WIDE**

WHCV48

CFO
AD
DGW
MW
FI
AW
MPE
FFE



**30" AND 36" WIDE WOOD HOODS**

- Available in oak, maple, or cherry
- Shipped with silver metallic powder-coated metal liner
- Blower units must be ordered separately
- **Must be installed between two cabinets**

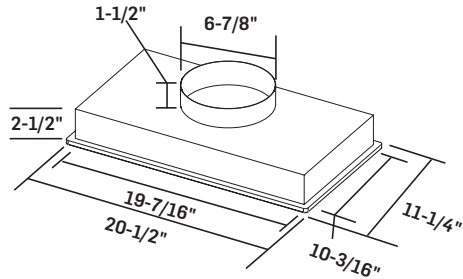
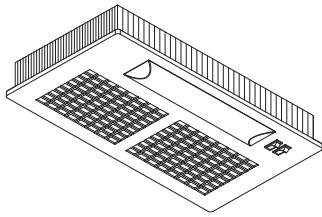
**30" WIDE**

WH30

**36" WIDE**

WH36

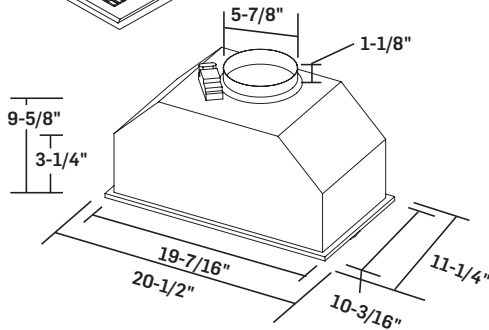
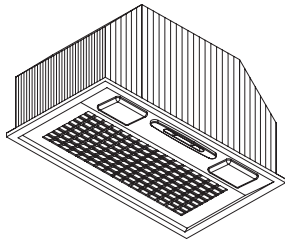
CFO
AD
DGW
MW
FI
AW
MPE
FFE



**BLOWER UNIT**

- 6-5/8" fan, 250 CFM, 8.0 Sones
- Two-speed motor
- 7" round duct or non-ducted discharge
- Enclosed light
- Accepts two incandescent max. 40-watt candelabra bulb. Bulb not included
- One-piece, washable aluminum mesh filter
- Durable, powder coated silver finish
- Fully enclosed bottom

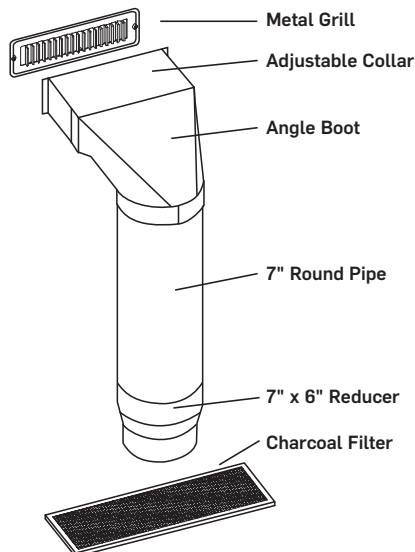
BUF10SM (silver metallic)



**BLOWER UNIT**

- Centrifugal blower, 390 CFM, 6.0 Sones
- Multi-speed control
- 6" round duct connector/back draft damper
- Enclosed light
- Accepts two incandescent max 40-watt candelabra bulb. Bulbs not included
- Durable, powder coated silver finish
- Fully enclosed bottom

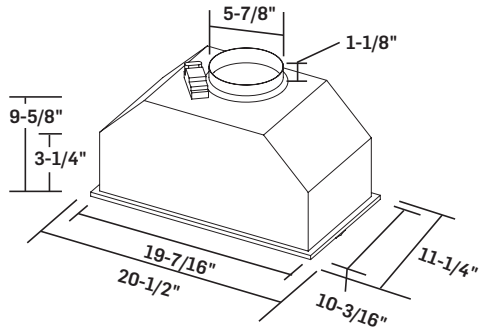
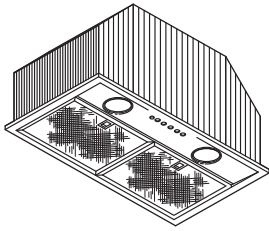
BUF20SM (silver metallic)



**DUCTLESS CONVERSION KIT**

- NDK358 ductless conversion kit for use with BUF10SM and BUF20SM

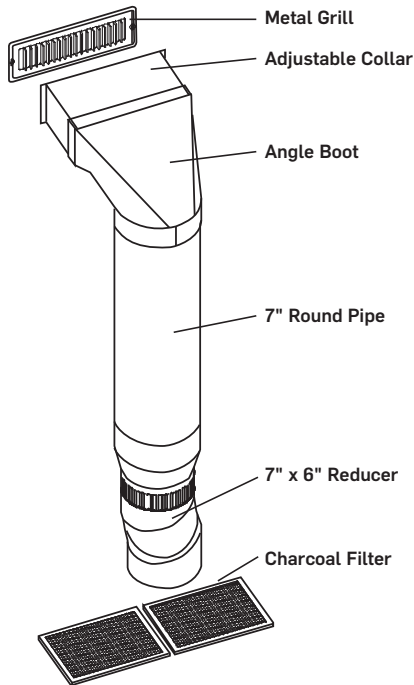
NDK358



## BLOWER UNIT

- Centrifugal blower, 500 CFM, 8.0 Sones
- Durable, 430 stainless steel with #4 brushed finish
- Non-exposed housing made with electro-galvanized steel
- Multi-speed control
- 6" round duct connector/back draft damper
- Accepts two halogen lamps, Type JC 12V 20W G4 Base (lamps included)
- Two washable filters with stainless steel covers, aluminum inner mesh, and quick-release latches

BUF30SS (stainless steel)

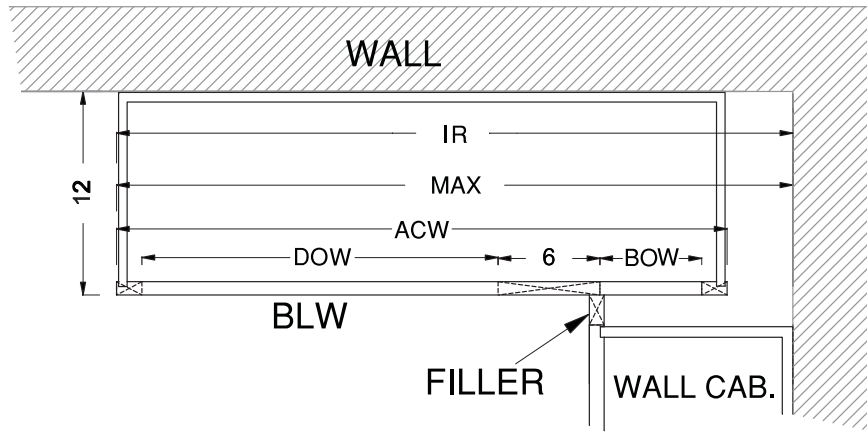


## DUCTLESS CONVERSION KIT

- NDK359 ductless conversion kit for use with BUF30SS

NDK359

### BLIND WALL CABINET INSTRUCTIONS



TOP VIEW, RIGHT HAND SHOWN

#### BLIND WALL CABINETS BY WIDTH

CABINET	ACW	IR/STD OVERLAY	IR/FULL OVERLAY	MAX	DOW	BOW
BLW24/27__	24"	24" - 27"	25" - 27"	28"	9"	6"
BLW27/30__	27"	27" - 30"	28" - 30"	31"	12"	6"
BLW30/33__	30"	30" - 33"	31" - 33"	34"	15"	6"
BLW33/36__	33"	33" - 36"	34" - 36"	37"	18"	6"
BLW36/39__	36"	36" - 39"	37" - 39"	40"	21"	6"
BLW39/42__	39"	39" - 42"	40" - 42"	43"	10-1/2" (2)*	6"
BLW42/45__	42"	42" - 45"	43" - 45"	46"	12" (2)*	6"

#### BLIND CABINETS LEGEND

ACW	The actual cabinet width
IR	The recommended installation range from the adjacent wall
MAX	The maximum distance the cabinet can pull from the adjacent wall and still affix the adjacent filler/cabinet to the 6" post
DOW	The door opening width dimension
*	Two equal openings separated by a 3" vertical
BOW	The blind opening width dimension



## WALL CABINET FRONT FRAME INSTRUCTIONS & DOOR CALCULATOR

### WALL CABINET FRONT FRAME LEGEND & OPENING FORMULAS

ID	DESCRIPTION	CABINET TYPE	OPENING FORMULA
CW	Cabinet Width	All	Width From Cabinet ID
CH	Cabinet Height	All	Height From Cabinet ID
DOW	Door Opening Width	Single Door	$CW - 3" = DOW$
	Door Opening Width	Double Butt Door	$CW - 3" = DOW$ (For 2 Doors)
	Door Opening Width	Double Door w/Post	$(CW - 6") \div 2 = DOW$
	Door Opening Width	Single Door Blind	$CW - 15" = DOW$
	Door Opening Width	Double Door Blind	$(CW - 18") \div 2 = DOW$
DOH	Door Opening Height	All	$CH - 3-1/2" = DOH$

### DOOR DESCRIPTION

ID	DESCRIPTION
FOD	Full Overlay Door (1/4" Reveal)
SOD	Standard Overlay Door

### DOOR DIMENSIONS CALCULATOR – WIDTH

DOOR TYPE	DESCRIPTION OF DOOR TYPE	DOORS PER OPENING	DOOR DIMENSION FORMULA
FODW	Full Overlay Door Width (1/4" Reveal)	1	$DOW + 2-1/2" = FODW$
		2 (Butt Doors)	$(DOW + 2-7/16") \div 2 = FODW$
SODW	Standard Overlay Door Width	1	$DOW + 1" = SODW$
		2 (Butt Doors)	$(DOW + 15/16") \div 2 = SODW$

### DOOR WIDTH EXCEPTIONS

CABINET TYPE	DESCRIPTION OF CABINET	FODW	SODW
WEC	Wall End Cabinet	16"	13"
CW24 & CW27	Corner Wall Cabinet	14-1/2"	15-1/2"
WSQC	Square Corner Wall Cabinet	10-7/8"	10"

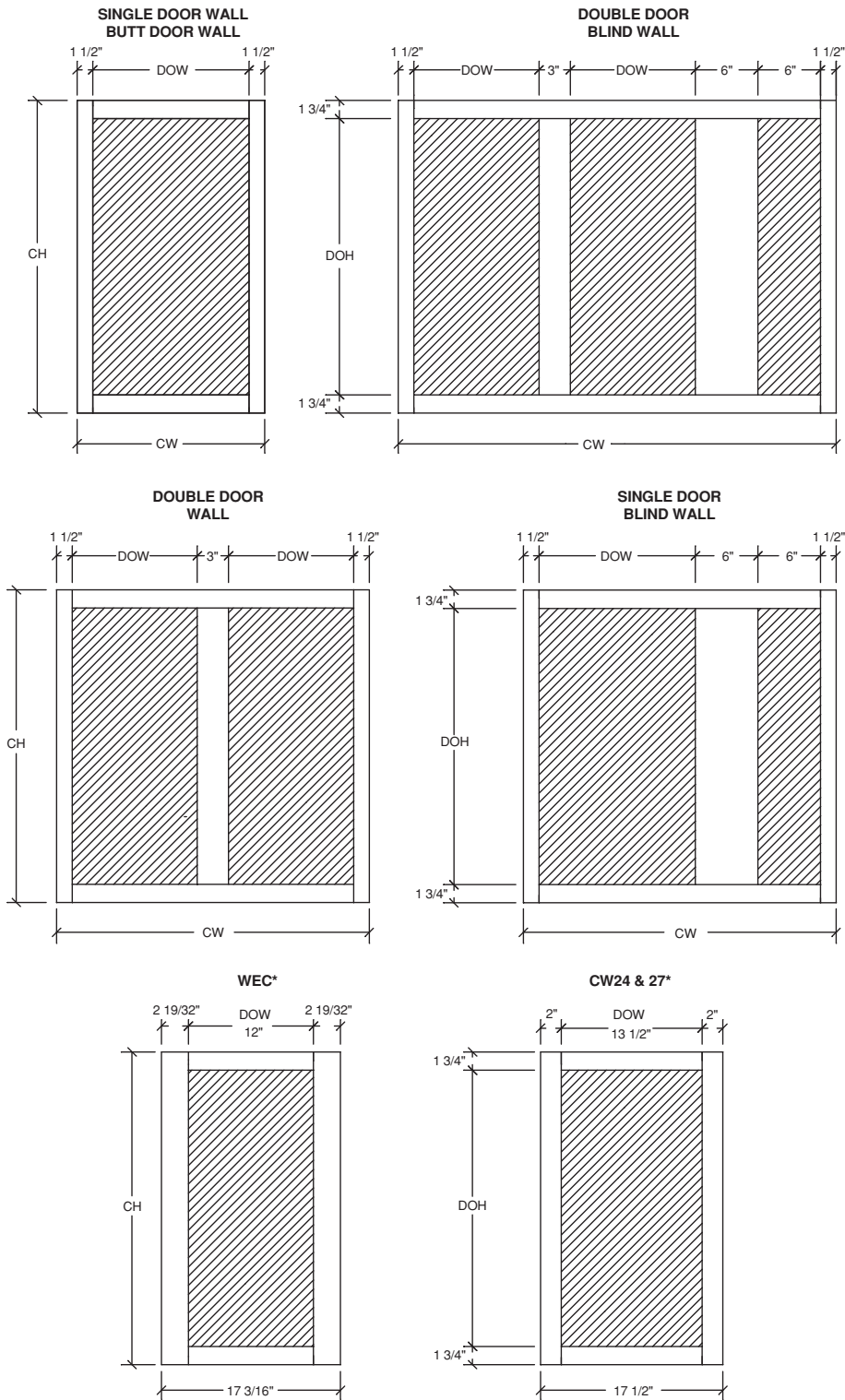
### DOOR DIMENSIONS CALCULATOR – HEIGHT

DOOR TYPE	DESCRIPTION OF DOOR TYPE	DOORS PER OPENING	DOOR DIMENSION FORMULA
FODH	Full Overlay Door Height (1/4" Reveal)	All	$CH - 1" = FODH$
SODH	Standard Overlay Door Height	All	$CH - 2-3/8" = SODH$

### DOOR STYLE IDENTIFICATION

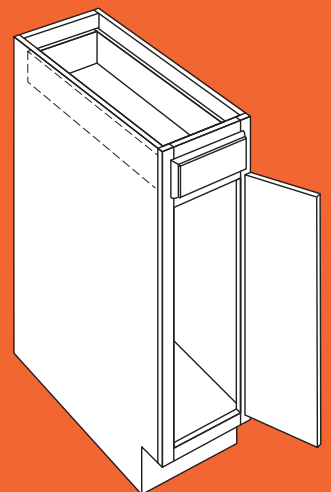
ID	DESCRIPTION
FOD	Addison, Ardmore, Bedford, Belleview, Carlisle, Edinburgh, Freeman, Langdon, Lisburn, Marianna, Manor, Rossiter, Southampton, Sutton, Trevino, and Weston
SOD	Benton, Brisbin, Cheswick, Hargrove, Herndon, Norwich, Salerno and Touraine

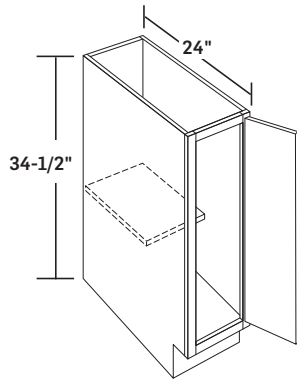
### WALL CABINET FRONT FRAMES



\* = DOOR WIDTH EXCEPTIONS, SEE DOOR DIMENSIONS CALCULATOR

# BASE CABINETS





B12FH R shown

**SINGLE DOOR FULL HEIGHT BASE CABINETS**

- Two hinges per door
- Full height door
- Specify L or R door hinging
- One 5/8" thick adjustable half-depth shelf; **B09 has no shelf**

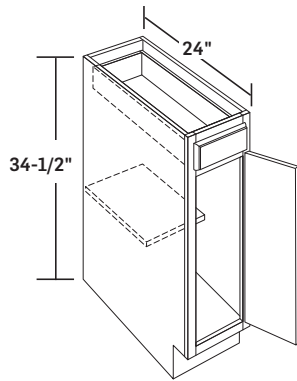
**24" DEEP**

- B09 L or R
- B12FH L or R
- B15FH L or R
- B18FH L or R
- B21FH L or R

**12" DEEP**

- B12FHx12 L or R
- B15FHx12 L or R
- B18FHx12 L or R
- B21FHx12 L or R

■ CFO
■ AD
FDS
FI
■ AW
■ MPE
■ FFE

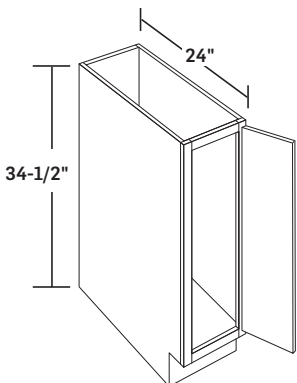


**SINGLE DOOR AND DRAWER BASE CABINETS**

- One 5/8" thick adjustable half-depth shelf
- Two hinges per door
- Specify L or R door hinging
- **Carlisle has two butt doors on B24**

- B12 L or R
- B15 L or R
- B18 L or R
- B21 L or R
- B24 L or R

■ CFO
■ AD
■ FDS
FI
■ AW
■ MPE
■ FFE

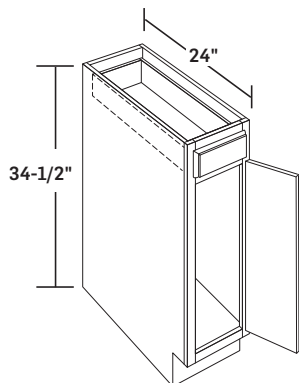


**SINGLE DOOR FULL HEIGHT BASE CABINETS FOR ACCESSORIES**

- Two hinges per door
- Specify L or R door hinging
- Cabinet shipped without shelf for field installation of accessories.

- BA12FH L or R
- BA15FH L or R
- BA18FH L or R
- BA21FH L or R

■ CFO
■ AD
FDS
FI
■ AW
■ MPE
■ FFE

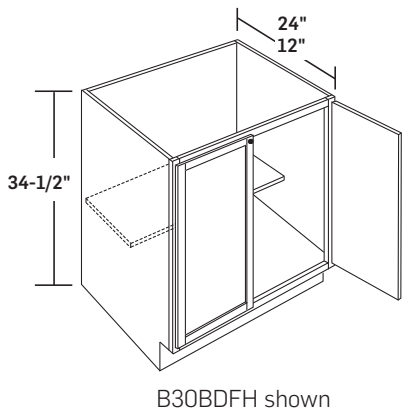


**SINGLE DOOR AND DRAWER BASE CABINETS FOR ACCESSORIES**

- Two hinges per door
- Specify L or R door hinging
- Cabinet shipped without shelf for field installation of accessories.
- **Carlisle has two butt doors on BA24**

BA12 L or R  
 BA15 L or R  
 BA18 L or R  
 BA21 L or R  
 BA24 L or R

■ CFO
■ AD
FDS
FI
■ AW
■ MPE
■ FFE



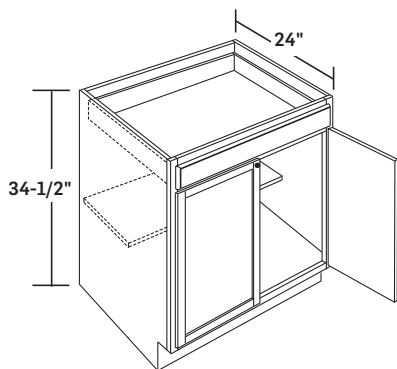
**BUTT DOOR FULL HEIGHT BASE CABINETS**

- One 5/8" thick adjustable half-depth shelf
- Two hinges per door
- Full Height Door
- **36" butt door base cabinet is not available with a full-depth shelf option**

**24" DEEP**  
 B24BDFH  
 B30BDFH  
 B36BDFH

**12" DEEP**  
 B24BDFHx12  
 B30BDFHx12  
 B36BDFHx12

■ CFO
■ AD
+ FDS
FI
■ AW
■ MPE
■ FFE

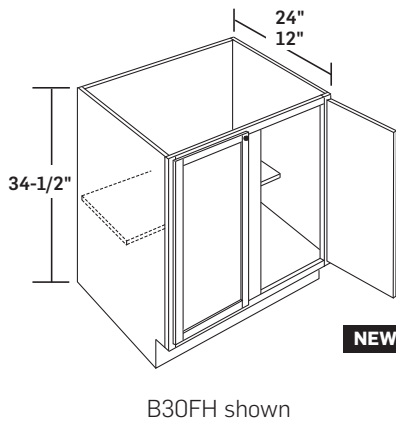


**BUTT DOOR AND WIDE DRAWER BASE CABINETS**

- One 5/8" thick adjustable half-depth shelf
- Two hinges per door
- **36" butt door base cabinet is not available with a full-depth shelf option**

B24BD  
 B27BD  
 B30BD  
 B33BD  
 B36BD

■ CFO
■ AD
+ FDS
FI
■ AW
■ MPE
■ FFE



**DOUBLE DOOR FULL HEIGHT BASE CABINETS**

- One 5/8" thick adjustable half-depth shelf
- Two hinges per door
- **Carlisle has four butt doors on B48FH and B48FHx12**

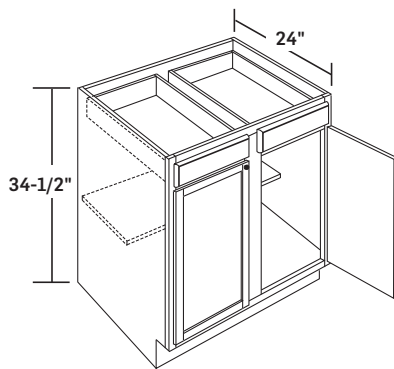
**24" DEEP**

B30FH  
 B36FH  
**NEW** B39FH  
 B42FH  
 B48FH

**12" DEEP**

B30FHx12  
 B36FHx12  
**NEW** B39FHx12  
 B42FHx12  
 B48FHx12

■ CFO
■ AD
■ FDS
FI
■ AW
■ MPE
■ FFE

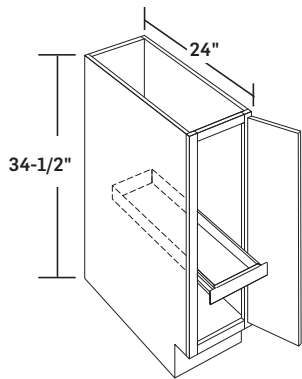


**DOUBLE DOOR AND DRAWER BASE CABINETS**

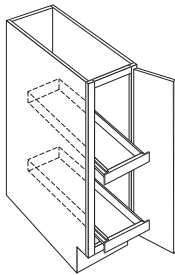
- One 5/8" thick adjustable half-depth shelf
- Two hinges per door
- **Carlisle has four butt doors on B48**

B27  
 B30  
 B33  
 B36  
 B39  
 B42  
 B45  
 B48

■ CFO
■ AD
■ FDS
FI
■ AW
■ MPE
■ FFE



ST R shown



ST2 R shown

## SINGLE DOOR FULL HEIGHT BASE CABINETS WITH SHELF TRAYS

- Full-depth shelf trays
- Two hinges per door
- Specify L or R door hinging

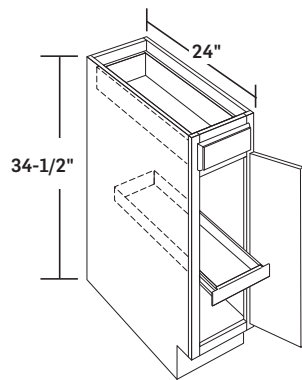
### BASE CABINETS WITH ONE SHELF TRAY

B12STFH L or R  
 B15STFH L or R  
 B18STFH L or R  
 B21STFH L or R

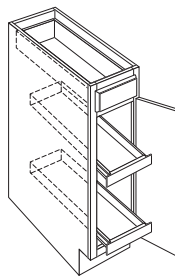
### BASE CABINETS WITH TWO SHELF TRAYS

B12ST2FH L or R  
 B15ST2FH L or R  
 B18ST2FH L or R  
 B21ST2FH L or R

■ CFO
■ AD
FDS
FI
■ AW
■ MPE
■ FFE



ST R shown



ST2 R shown

## SINGLE DOOR AND DRAWER BASE CABINETS WITH SHELF TRAYS

- Full-depth shelf trays
- Two hinges per door
- Specify L or R door hinging
- **Carlisle has two butt doors on B24ST and B24ST2**

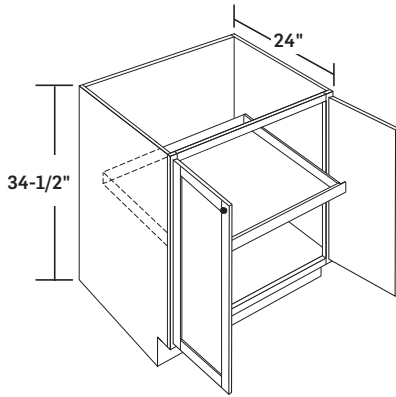
### BASE CABINETS WITH ONE SHELF TRAY

B12ST L or R  
 B15ST L or R  
 B18ST L or R  
 B21ST L or R  
 B24ST L or R

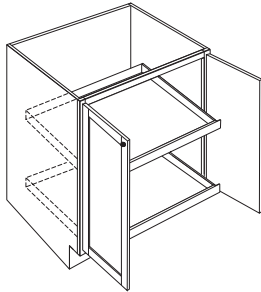
### BASE CABINETS WITH TWO SHELF TRAYS

B12ST2 L or R  
 B15ST2 L or R  
 B18ST2 L or R  
 B21ST2 L or R  
 B24ST2 L or R

■ CFO
■ AD
FDS
FI
■ AW
■ MPE
■ FFE



ST shown



ST2 shown

**BUTT DOOR FULL HEIGHT BASE CABINETS WITH SHELF TRAYS**

- Full-depth shelf trays
- Two hinges per door

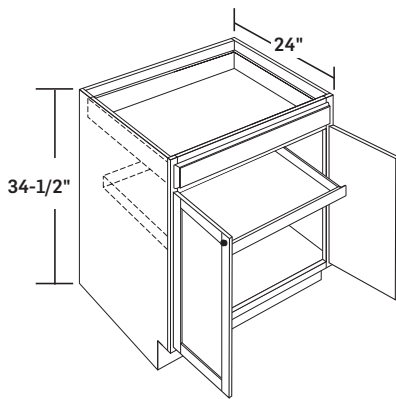
**BASE CABINETS WITH ONE SHELF TRAY**

B24BDSTFH  
B30BDSTFH  
B36BDSTFH

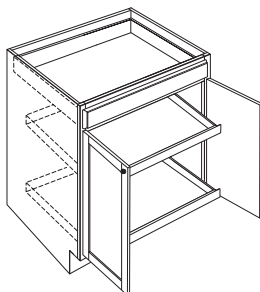
**BASE CABINETS WITH TWO SHELF TRAYS**

B24BDST2FH  
B30BDST2FH  
B36BDST2FH

■ CFO
■ AD
■ FDS
■ FI
■ AW
■ MPE
■ FFE



ST shown



ST2 shown

**BUTT DOOR AND WIDE DRAWER BASE CABINETS WITH SHELF TRAYS**

- Full-depth shelf trays
- Two hinges per door

**BASE CABINETS WITH ONE SHELF TRAY**

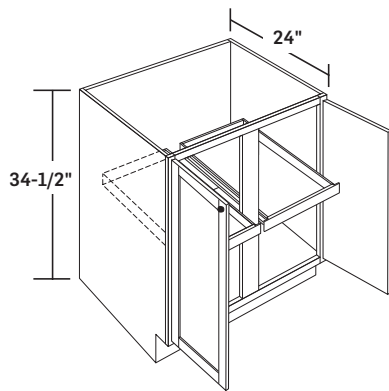
B24BDST  
B27BDST  
B30BDST  
B33BDST  
B36BDST

**BASE CABINETS WITH TWO SHELF TRAYS**

B24BDST2  
B27BDST2  
B30BDST2  
B33BDST2  
B36BDST2

■ CFO
■ AD
■ FDS
■ FI
■ AW
■ MPE
■ FFE





ST2 shown

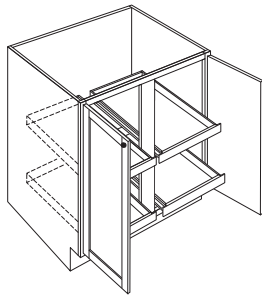
## DOUBLE DOOR FULL HEIGHT BASE CABINETS WITH SHELF TRAYS

- Full-depth shelf trays
- Two hinges per door
- Carlisle has four butt doors on B48ST2 and B48ST4

### BASE CABINETS WITH TWO SHELF TRAYS

B30ST2FH  
B36ST2FH  
B42ST2FH  
B48ST2FH

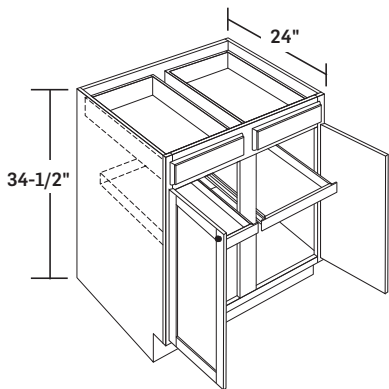
CFO
■ AD
FDS
FI
■ AW
■ MPE
■ FFE



ST4 shown

### BASE CABINETS WITH FOUR SHELF TRAYS

B30ST4FH  
B36ST4FH  
B42ST4FH  
B48ST4FH



ST2 shown

## DOUBLE DOOR AND DRAWER BASE CABINETS WITH SHELF TRAYS

- Full-depth shelf trays
- Two hinges per door
- Carlisle has four butt doors on B48ST2 and B48ST4

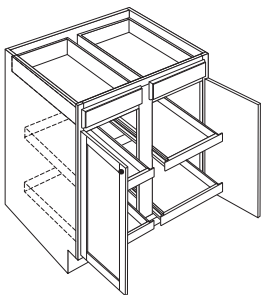
### BASE CABINETS WITH TWO SHELF TRAYS

B27ST2  
B30ST2  
B33ST2  
B36ST2  
B39ST2  
B42ST2  
B45ST2  
B48ST2

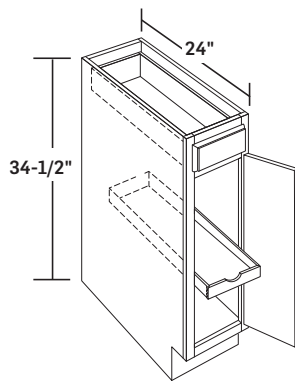
### BASE CABINETS WITH FOUR SHELF TRAYS

B27ST4  
B30ST4  
B33ST4  
B36ST4  
B39ST4  
B42ST4  
B45ST4  
B48ST4

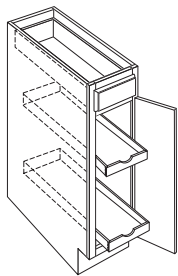
CFO
■ AD
FDS
FI
■ AW
■ MPE
■ FFE



ST4 shown



DST R shown



DST2 R shown

### SINGLE DOOR AND DRAWER BASE CABINETS WITH DELUXE SHELF TRAYS

- Full-depth dovetail shelf trays with scooped front
- Full extension soft-close guide on shelf tray
- Adjustable system allows for customized vertical tray spacing
- Two hinges per door
- Specify L or R door hinging
- **Carlisle has two butt doors on B24DST and B24DST2**

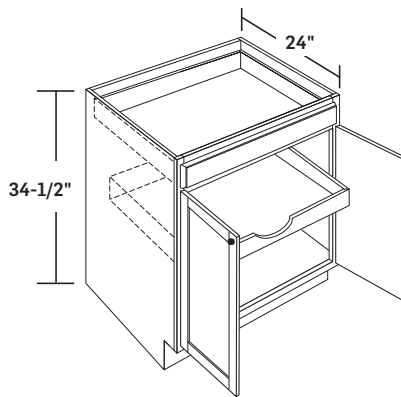
CFO
■ AD
FDS
FI
■ AW
■ MPE
■ FFE

#### BASE CABINETS WITH ONE DELUXE SHELF TRAY

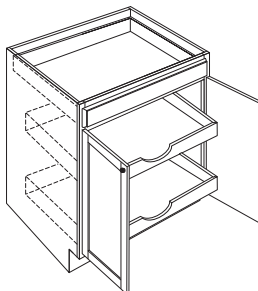
B12DST L or R  
 B15DST L or R  
 B18DST L or R  
 B21DST L or R  
 B24DST L or R

#### BASE CABINETS WITH TWO DELUXE SHELF TRAYS

B12DST2 L or R  
 B15DST2 L or R  
 B18DST2 L or R  
 B21DST2 L or R  
 B24DST2 L or R



DST shown



DST2 shown

### BUTT DOOR AND WIDE DRAWER BASE CABINETS WITH DELUXE SHELF TRAYS

- Full-depth dovetail shelf trays with scooped front
- Full extension soft-close guide on shelf tray
- Adjustable system allows for customized vertical tray spacing
- Two hinges per door

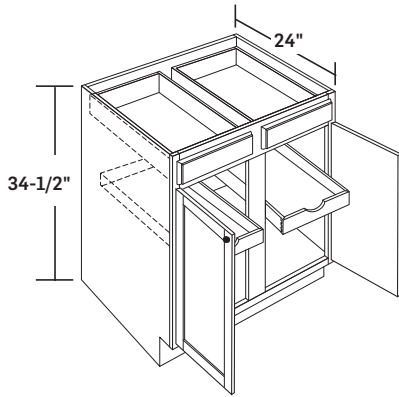
CFO
■ AD
FDS
FI
■ AW
■ MPE
■ FFE

#### BASE CABINETS WITH ONE DELUXE SHELF TRAY

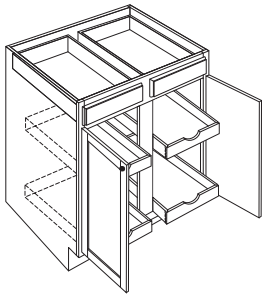
B24BDDST  
 B27BDDST  
 B30BDDST  
 B33BDDST  
 B36BDDST

#### BASE CABINETS WITH TWO DELUXE SHELF TRAYS

B24BDDST2  
 B27BDDST2  
 B30BDDST2  
 B33BDDST2  
 B36BDDST2



DST2 shown



DST4 shown

## DOUBLE DOOR AND DRAWER BASE CABINETS WITH DELUXE SHELF TRAYS

- Full-depth dovetail shelf trays with scooped fronts
- Full extension soft-close guide on shelf trays
- Adjustable system allows for customized vertical tray spacing
- Two hinges per door
- **Carlisle has four butt doors on B48DST2 and B48DST4**

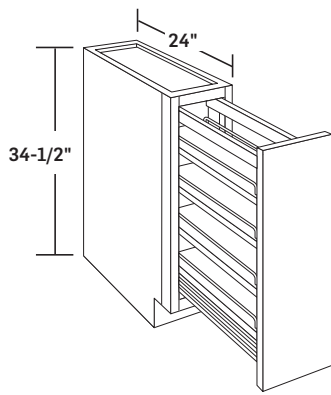
CFO
■ AD
FDS
FI
■ AW
■ MPE
■ FFE

### BASE CABINETS WITH TWO DELUXE SHELF TRAYS

B27DST2  
 B30DST2  
 B33DST2  
 B36DST2  
 B39DST2  
 B42DST2  
 B45DST2  
 B48DST2

### BASE CABINETS WITH FOUR DELUXE SHELF TRAYS

B27DST4  
 B30DST4  
 B33DST4  
 B36DST4  
 B39DST4  
 B42DST4  
 B45DST4  
 B48DST4



**SINGLE DOOR (FULL HEIGHT) BASE CABINETS WITH PULL OUT SHELVES**

- Wood adjustable shelves
- Full extension slides
- Attached full height door
- No hinging

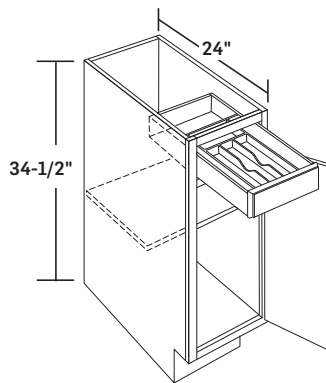
**WITHOUT SOFT-CLOSE**

B09PPO

**WITH SOFT-CLOSE**

B09PPOSC

CFO
AD
FDS
FI
■ AW
■ MPE
■ FFE

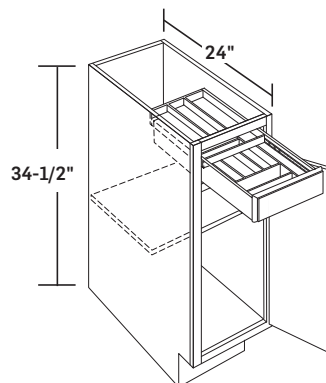


**SINGLE DOOR AND DRAWER BASE CABINETS WITH CUTLERY DIVIDER**

- One standard drawer depth wood cutlery divider
- One 5/8" thick adjustable half-depth shelf
- Two hinges per door
- Specify L or R door hinging

B15CD L or R  
 B18CD L or R  
 B21CD L or R  
 B24CD L or R

CFO
AD
■ FDS
FI
■ AW
■ MPE
■ FFE

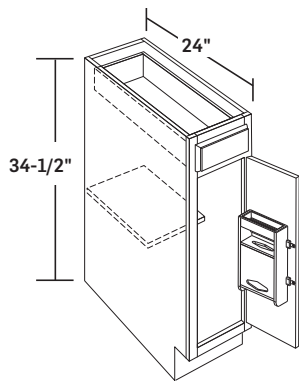


**SINGLE DOOR AND DRAWER BASE CABINETS WITH TIERED CUTLERY DIVIDER**

- One standard drawer depth wood tiered cutlery divider
- One 5/8" thick adjustable half-depth shelf
- Two hinges per door
- Specify L or R door hinging
- Soft-close undermount full-extension drawer guides standard
- Cabinet comes standard with a dovetail drawer

B15TCD L or R  
 B18TCD L or R  
 B21TCD L or R

CFO
AD
■ FDS
FI
■ AW
■ MPE
■ FFE

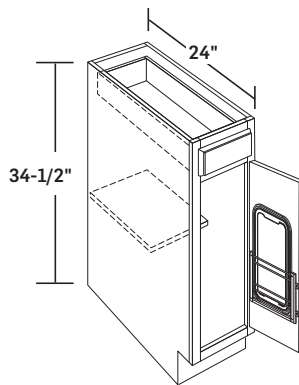


**SINGLE DOOR AND DRAWER BASE CABINET WITH DOOR MOUNTED GROCERY BAG HOLDER**

- Solid wood grocery bag holder installed on door
- One 5/8" thick adjustable half-depth shelf
- Two hinges per door
- Specify L or R door hinging

B18GBH L or R

CFO
■ AD
FDS
FI
■ AW
■ MPE
■ FFE

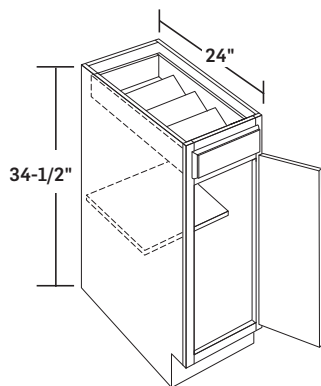


**SINGLE DOOR AND DRAWER BASE CABINETS WITH DOOR MOUNTED CUTTING BOARD**

- Polymer cutting board installed on door
- One 5/8" thick adjustable half-depth shelf
- Two hinges per door
- Specify L or R door hinging

B15MCB L or R  
B18MCB L or R  
B21MCB L or R

CFO
■ AD
■ FDS
FI
■ AW
■ MPE
■ FFE



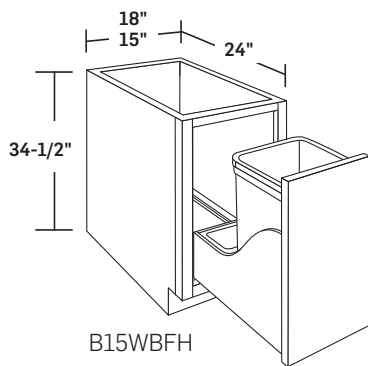
**SINGLE DOOR AND DRAWER BASE CABINETS WITH SPICE DRAWER INSERT**

- One standard drawer depth wood spice drawer insert
- One 5/8" thick adjustable half-depth shelf
- Two hinges per door
- Specify L or R door hinging

B18SDI L or R  
B24SDI L or R

CFO
AD
FDS
FI
■ AW
■ MPE
■ FFE

CFO
AD
FDS
FI
■ AW
■ MPE
■ FFE



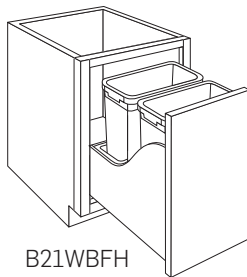
B15WBFH

**FULL HEIGHT BASE CABINETS WITH  
FACTORY INSTALLED WASTEBASKETS**

- Door is attached to wastebasket guides and opens as drawer
- 50 qt. removable trash containers
- **Waste basket cabinets come automatically with undermount soft-close guides**

**SINGLE WASTEBASKET  
BASE CABINETS**

B15WBSFH  
B18WBSFH

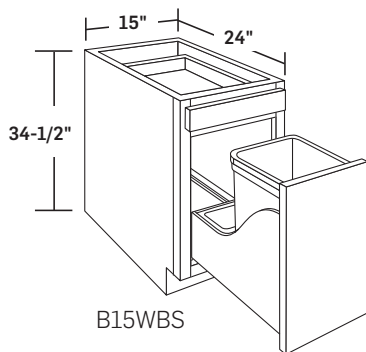


B21WBFH  
21" wide

**DOUBLE WASTEBASKET  
BASE CABINET**

B21WBDFH

CFO
AD
FDS
FI
■ AW
■ MPE
■ FFE



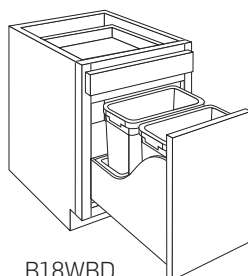
B15WBS

**BASE CABINETS WITH  
FACTORY INSTALLED WASTEBASKETS**

- Door is attached to wastebasket guides and opens as drawer
- 35 qt. removable trash containers
- **Waste basket cabinets come automatically with undermount soft-close guides**

**SINGLE WASTEBASKET  
BASE CABINET**

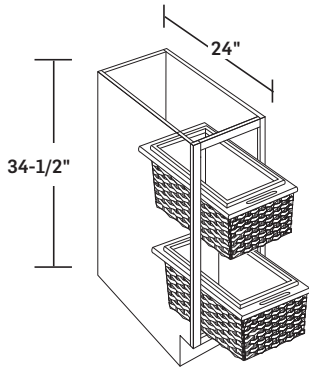
B15WBS



B18WBD  
18" wide

**DOUBLE WASTEBASKET  
BASE CABINETS**

B18WBD  
B21WBD

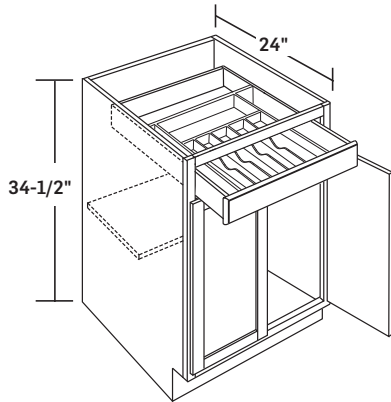


**FULL HEIGHT BASE CABINETS  
WITH PULL-OUT RATTAN BASKETS**

- Two standard-depth pull-out rattan baskets
- Rattan basket liners included
- **Full height base cabinets with pull-out rattan baskets come standard with plywood construction and matching finished interior**

BOC15RB  
BOC18RB

CFO
AD
FDS
❖ FI
❖ AW
❖ MPE
■ FFE

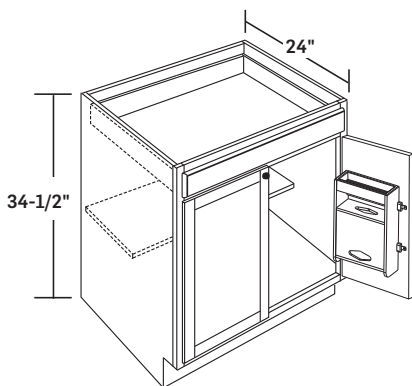


**BUTT DOOR AND WIDE DRAWER BASE CABINET  
WITH CUTLERY DIVIDER**

- One standard drawer depth wood cutlery divider
- One 5/8" thick adjustable half-depth shelf
- Two hinges per door

B24BDCD

CFO
AD
■ FDS
FI
■ AW
■ MPE
■ FFE

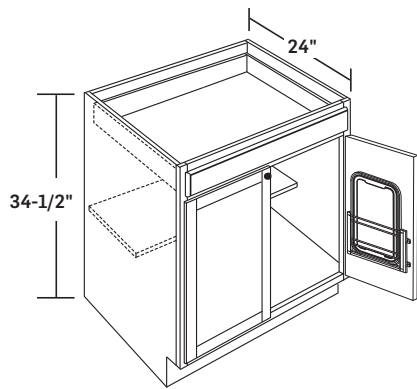


**BUTT DOOR AND WIDE DRAWER BASE CABINETS  
WITH DOOR MOUNTED GROCERY BAG HOLDER**

- Solid wood grocery bag holder installed on right door
- One 5/8" thick adjustable half-depth shelf
- Two hinges per door

B30BDGBH  
B33BDGBH  
B36BDGBH

CFO
■ AD
FDS
FI
■ AW
■ MPE
■ FFE

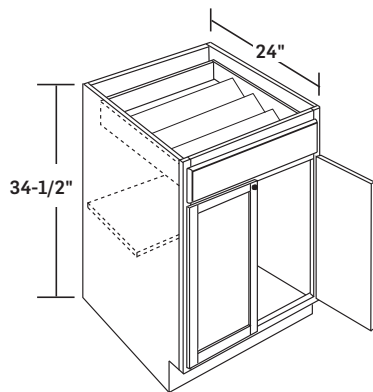


**BUTT DOOR AND WIDE DRAWER BASE CABINETS WITH DOOR MOUNTED CUTTING BOARD**

- Polymer cutting board installed on right door
- One 5/8" thick adjustable half-depth shelf
- Two hinges per door

B30BDMCB  
B33BDMCB  
B36BDMCB

CFO
■ AD
FDS
FI
■ AW
■ MPE
■ FFE

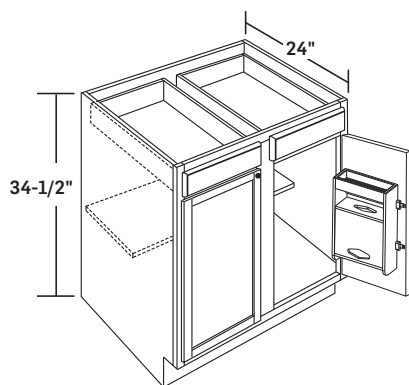


**BUTT DOOR AND WIDE DRAWER BASE CABINET WITH SPICE DRAWER INSERT**

- One standard drawer depth wood spice drawer insert
- One 5/8" thick adjustable half-depth shelf
- Two hinges per door

B24BDSDI

CFO
AD
■ FDS
FI
■ AW
■ MPE
■ FFE



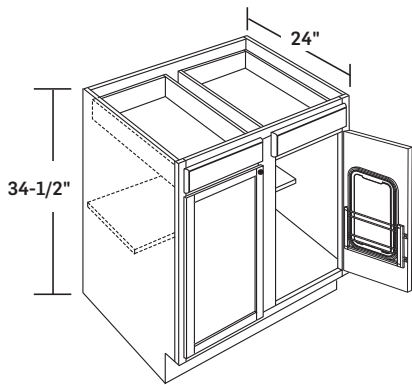
**DOUBLE DOOR AND DRAWER BASE CABINETS WITH DOOR MOUNTED GROCERY BAG HOLDER**

- Solid wood grocery bag holder mounted on right door
- One 5/8" thick adjustable half-depth shelf
- Two hinges per door

B30GBH  
B33GBH  
B36GBH  
B39GBH  
B42GBH

CFO
■ AD
FDS
FI
■ AW
■ MPE
■ FFE



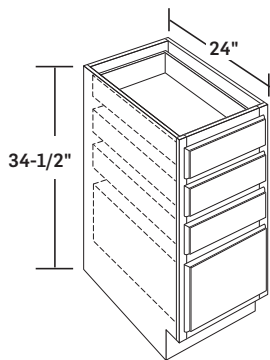


**DOUBLE DOOR AND DRAWER BASE CABINETS WITH DOOR MOUNTED CUTTING BOARD**

- Polymer cutting board mounted on right door
- One 5/8" thick adjustable half-depth shelf
- Two hinges per door

B30MCB  
 B33MCB  
 B36MCB  
 B39MCB  
 B42MCB

■ CFO
AD
FDS
FI
■ AW
■ MPE
■ FFE

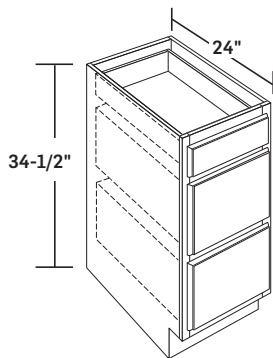


**FOUR DRAWER BASE CABINETS**

- Three standard-depth drawers on top and one deep drawer on bottom

DB12  
 DB15  
 DB18  
 DB21  
 DB24

■ CFO
■ AD
FDS
FI
■ AW
■ MPE
■ FFE

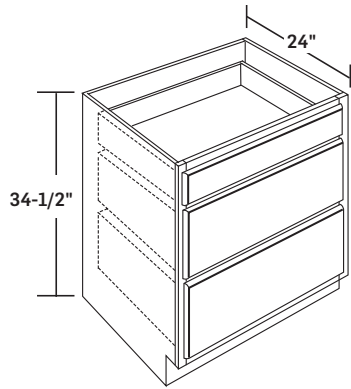


**THREE DRAWER BASE CABINETS**

- One standard-depth drawer on top and two deep drawers on bottom

DB12-3  
 DB15-3  
 DB18-3  
 DB21-3  
 DB24-3

■ CFO
■ AD
FDS
FI
■ AW
■ MPE
■ FFE

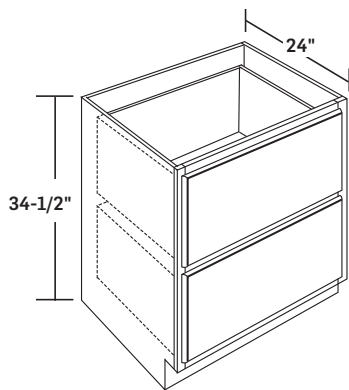


### THREE DRAWER BASE CABINETS

- One standard-depth drawer on top and two deep drawers on bottom
- Heavy-duty drawer guide in bottom two drawers
- **When dovetail drawer upgrade is ordered, soft-close will automatically be provided on bottom two large dovetail drawers**

DB27  
DB30  
DB33  
DB36

■ CFO
■ AD
FDS
FI
■ AW
■ MPE
■ FFE

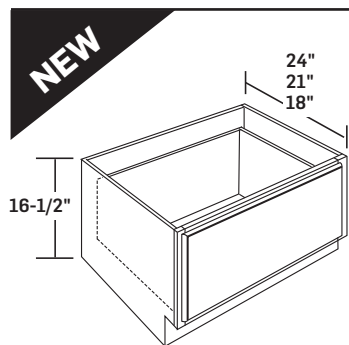


### TWO DRAWER BASE CABINETS

- Comes standard with dovetail drawers and heavy-duty full-extension soft-close drawer guides

DB27-2  
DB30-2  
DB33-2  
DB36-2

■ CFO
■ AD
FDS
FI
■ AW
■ MPE
■ FFE

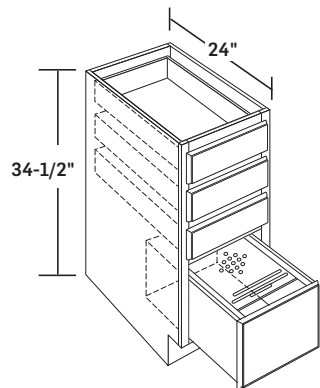


### FURNITURE BENCH DRAWERS

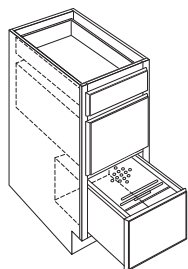
- Comes standard with dovetail drawers and undermount full-extension soft-close drawer guides
- Plywood construction only

FBD18  
FBD24  
FBD30

■ CFO
■ AD
FDS
FI
❖ AW
■ MPE
■ FFE



BK shown



3BK shown

**DRAWER BASE CABINETS WITH BREAD LID KIT**

- Four drawer cabinets have three standard-depth drawers on top and one deep drawer on bottom
- Three drawer cabinets have one standard-depth drawer on top and two deep drawers on bottom
- Polymer bread lid kit installed in bottom drawer

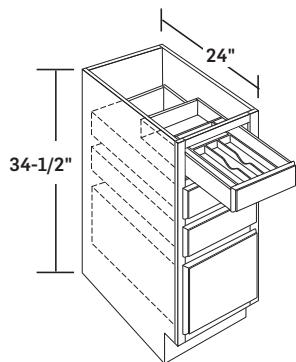
**FOUR DRAWER  
BASE CABINETS WITH KIT**

DB18BK  
DB21BK

**THREE DRAWER BASE  
CABINETS WITH KIT**

DB18-3BK  
DB21-3BK

CFO
AD
FDS
FI
■ AW
■ MPE
■ FFE

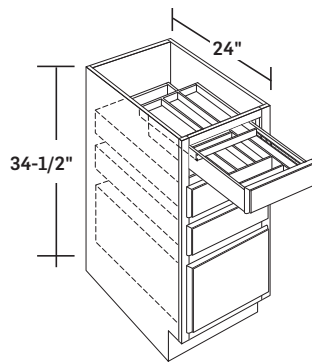


**FOUR DRAWER BASE CABINETS  
WITH CUTLERY DIVIDER**

- Three standard-depth drawers on top and one deep drawer on bottom
- Wood cutlery divider installed in top drawer

DB15CD  
DB18CD  
DB21CD  
DB24CD

CFO
AD
FDS
FI
■ AW
■ MPE
■ FFE

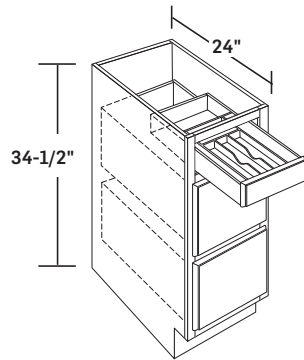


**FOUR DRAWER BASE CABINETS WITH TIERED CUTLERY DIVIDER**

- Three standard-depth drawers on top and one deep drawer on bottom
- Wood cutlery divider installed in top drawer
- Soft-close undermount full-extension drawer guides standard on top drawer only
- Top drawer comes standard with dovetail drawer
- **Upgrade to Dovetail for all drawers to match**

CFO
AD
FDS
FI
■ AW
■ MPE
■ FFE

DB15TCD  
DB18TCD  
DB21TCD

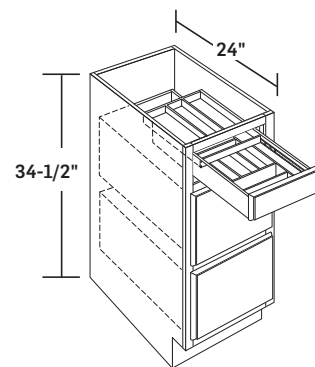


**THREE DRAWER BASE CABINETS WITH CUTLERY DIVIDER**

- One standard-depth drawer on top and two deep drawers on bottom
- Wood cutlery divider installed in top drawer

CFO
AD
FDS
FI
■ AW
■ MPE
■ FFE

DB15-3CD  
DB18-3CD  
DB21-3CD  
DB24-3CD

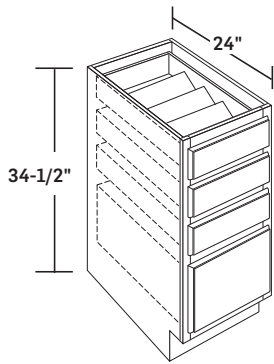


**THREE DRAWER BASE CABINETS WITH TIERED CUTLERY DIVIDER**

- One standard-depth drawer on top and two deep drawers on bottom
- Wood tiered cutlery divider installed in top drawer
- Soft-close undermount full-extension drawer guides standard on top drawer only
- Top drawer comes standard with dovetail drawer
- **Upgrade to Dovetail for all drawers to match**

CFO
AD
FDS
FI
■ AW
■ MPE
■ FFE

DB15-3TCD  
DB18-3TCD  
DB21-3TCD



SDI

**DRAWER BASE CABINETS WITH SPICE DRAWER INSERT**

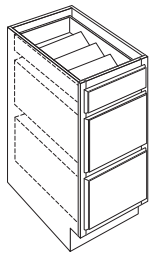
- Four drawer cabinets have three standard-depth drawers on top and one deep drawer on bottom
- Three drawer cabinets have one standard-depth drawer on top and two deep drawers on bottom
- Wood spice drawer insert installed in top drawer

**FOUR DRAWER BASE CABINETS WITH INSERT**

DB18SDI

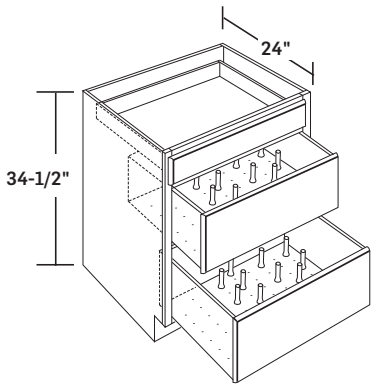
**THREE DRAWER BASE CABINETS WITH INSERT**

DB18-3SDI



3SDI

CFO
AD
FDS
FI
■ AW
■ MPE
■ FFE



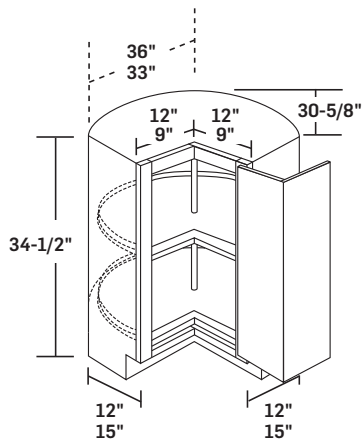
**TRIPLE DRAWER BASE CABINETS WITH PEGGED DISH ORGANIZERS**

- One standard-depth drawer on top and two deep drawers on bottom
- Pegged board and pegs installed in bottom two drawers
- Heavy-duty drawer guide in bottom two drawers
- 12 adjustable pegs included per drawer
- When dovetail drawer upgrade is ordered, soft-close will automatically be provided on bottom two large dovetail drawers

DB30PDO

DB36PDO

CFO
AD
FDS
FI
■ AW
■ MPE
■ FFE



### ROTATING CORNER BASE CABINETS WITH SHELVES

- Two hinges per door
- Specify L or R door hinging
- Gentle-Touch (soft-close) hinge not available
- Two high impact 28" diameter shelves rotate together
- Available to order with wood trays or white plastic shelves
- BRC33 requires 33" of wall space on both sides. BR36 requires 36" of wall space on both sides
- This unit is NOT designed to be used at the end of a cabinet run.
- **CAUTION: If cabinet is installed next to an appliance deeper than 25", it may interfere with door opening. You should either use a filler or a DWR end panel between the cabinet and appliance.**

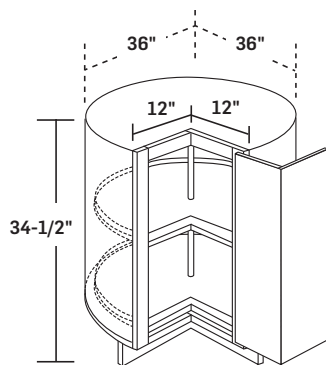
CFO
AD
FDS
FI
■ AW
■ MPE
FFE

### CABINETS WITH PLASTIC SHELVES

BRC33 L or R  
BRC36 L or R

### CABINETS WITH WOOD TRAYS

BRC33 WT L or R  
BRC36 WT L or R

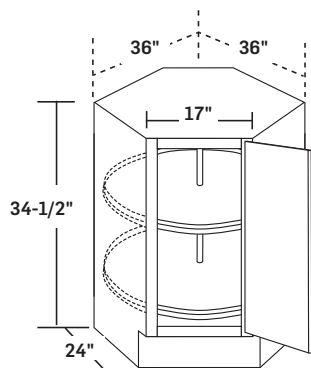


### ROTATING CORNER BASE CABINET

- Two hinges per door
- Specify L or R door hinging
- Gentle-Touch (soft-close) hinge not available
- Two high impact 24" diameter white plastic shelves rotate together
- Requires 36" of wall space on both sides
- **CAUTION: If cabinet is installed next to an appliance deeper than 25", it may interfere with door opening. You should either use a filler or a DWR end panel between the cabinet and appliance.**
- This unit is NOT designed to be used at the end of a cabinet run

CFO
AD
FDS
FI
■ AW
MPE
FFE

CAR36 L or R

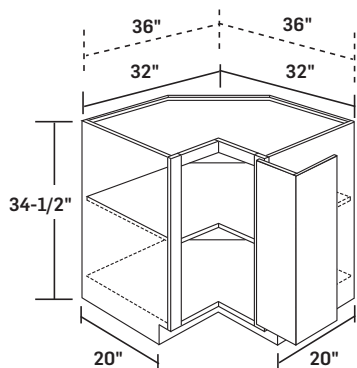


**BASE DIAGONAL CORNER CABINETS**

- Two hinges per door
- Specify L or R door hinging
- Two high impact 28" diameter white plastic shelves rotate together
- 28" Wood tray option available. Suffix WT to nomenclature
- Requires 36" of wall space on both sides
- Available in AllWood and Pinnacle construction only
- Cabinet at narrowest point (with door attached) is 32-3/4" wide
- **CAUTION: If cabinet is installed next to an appliance deeper than 25", it may interfere with door opening. You should either use a filler or a DWR end panel between the cabinet and appliance.**

CFO
AD
FDS
FI
■ AW
■ MPE
FFE

BDC36 L or R  
BDC36WT L or R

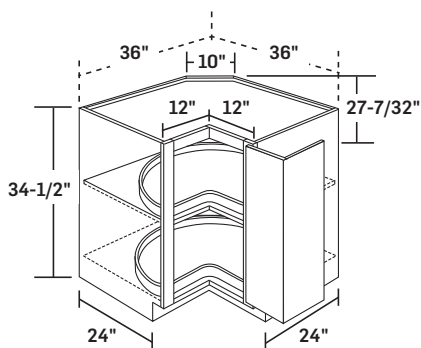


**EASY REACH CORNER BASE CABINET**

- One 5/8" thick fixed shelf
- Two hinges per door
- Specify L or R door hinging
- Gentle-Touch (soft-close) hinge not available
- Requires 36" of wall space on both sides, installs 4" off wall
- **End panels are not finished**
- **CAUTION: If cabinet is installed next to an appliance deeper than 25", it may interfere with door opening. You should either use a filler or a DWR end panel between the cabinet and appliance.**

CFO
AD
❖ FDS
FI
■ AW
■ MPE
FFE

BSQC36 L or R

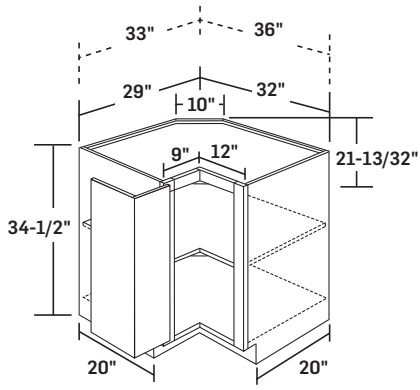


**EASY REACH CORNER BASE CABINET WITH SUPER SUSAN**

- One 5/8" thick fixed shelf
- Two hinges per door
- Specify L or R door hinging
- Gentle-Touch (soft-close) hinge not available
- Requires 36" of wall space on both sides
- Two 32" diameter wood banded kidney shaped trays with swivel mount
- Shelves rotate independently
- **End panels are not finished**
- **CAUTION: If cabinet is installed next to an appliance deeper than 25", it may interfere with door opening. You should either use a filler or a DWR end panel between the cabinet and appliance.**
- **NOTE: 29" door clearance recommended for delivery**

CFO
AD
❖ FDS
FI
■ AW
■ MPE
FFE

BSQC36SS L or R



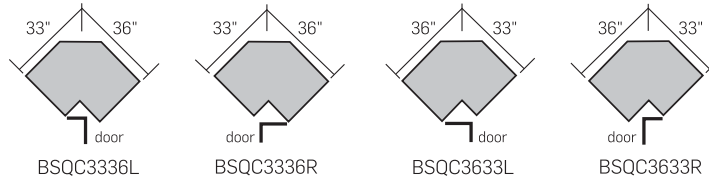
BSQC3336 L shown

### EASY REACH CORNER BASE CABINET WITH ASYMETRICAL DOORS

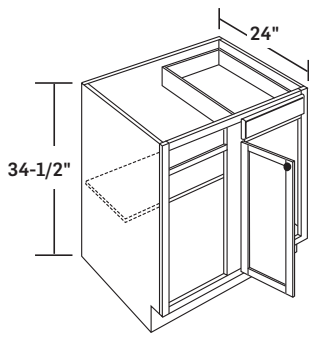
- One 5/8" thick fixed shelf
- Two hinges per door
- Specify L or R door hinging
- Gentle-Touch (soft-close) hinge not available
- Requires 33" of wall space on one wall and 36" of wall space on the other wall. The cabinet is installed 4" off the wall.
- **End panels are not finished**
- **CAUTION: If cabinet is installed next to an appliance deeper than 25", it may interfere with door opening. You should either use a filler or a DWR end panel between the cabinet and appliance.**

CFO
AD
❖ FDS
FI
■ AW
■ MPE
FFE

BSQC3336 L or R  
BSQC3633 L or R







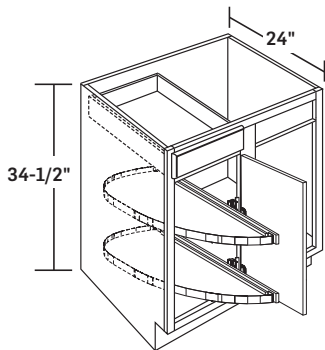
BLB36/39 L shown

**SINGLE DOOR AND DRAWER BLIND BASE CABINETS**

- One 5/8" thick half-depth shelf
- Shelf is adjustable on AllWood and Pinnacle construction and fixed on Premier construction
- Two hinges per door
- Specify L or R door hinging
- See page 4.45 for blind cabinet installation instructions
- Filler must be ordered separately. Allow 27" to turn corner.
- In Full Overlay styles order OBLB filler overlay (page 9.7)
- Blind section of BLB48/51 cabinet has no center horizontal rail.
- **Carlisle has two butt doors on BLB48/51**

■ CFO
■ AD
■ FDS
FI
■ AW
■ MPE
■ FFE

BLB36/39 L or R  
 BLB39/42 L or R  
 BLB42/45 L or R  
 BLB45/48 L or R  
 BLB48/51 L or R



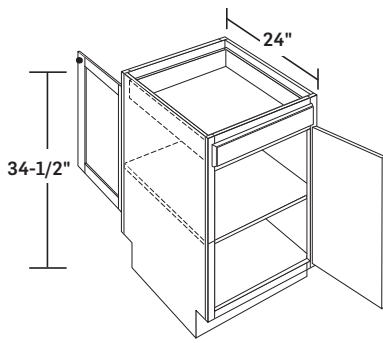
BLB42/45 R shown

**BLIND BASE CABINETS WITH  
 FACTORY INSTALLED LAZY SUSANS**

- Two hinges per door
- Specify L or R door hinging
- Two wood half-circle trays pivot and extend partially out for ease of reach
- See page 4.45 for blind cabinet installation instructions

CFO
AD
FDS
FI
■ AW
■ MPE
■ FFE

BLB42/45WLS L or R  
 BLB45/48WLS L or R

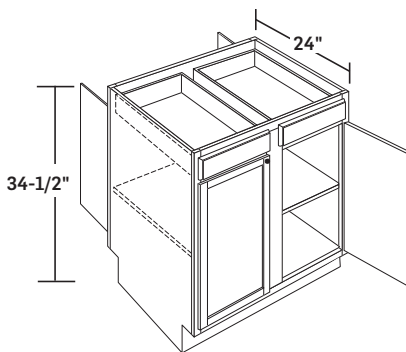


**SINGLE DOOR AND DRAWER PENINSULA BASE CABINET**

- One 5/8" thick adjustable full-depth shelf
- Two hinges per door
- Specify L or R door hinging
- Single door and drawer in front; single door and false drawer front in rear
- **Carlisle has two butt doors front and rear.**

CFO
AD
❖ FDS
FI
■ AW
■ MPE
■ FFE

PB24 L or R

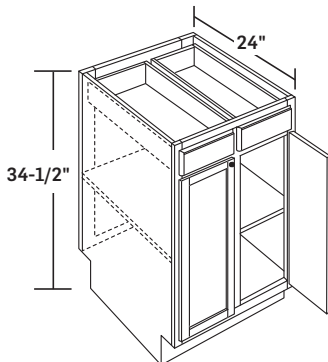


**DOUBLE DOOR AND DRAWER PENINSULA BASE CABINETS**

- One 5/8" thick adjustable full-depth shelf
- Two hinges per door
- Double doors and drawers in front; double doors and false drawer fronts in rear
- **Carlisle has four butt doors and double drawers front and rear on PB48**

CFO
AD
❖ FDS
FI
■ AW
■ MPE
■ FFE

PB30  
PB36  
PB42  
PB48

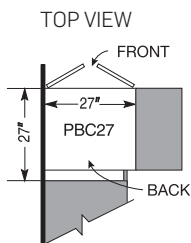


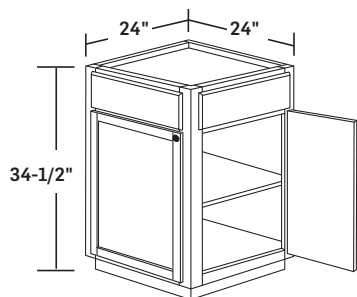
**DOUBLE DOOR AND DRAWER PENINSULA BASE CORNER CABINET**

- One 5/8" thick adjustable full-depth shelf
- Two hinges per door
- Reversible
- Double door and drawer face frame front
- Backside of cabinet has finished 6" filler on both sides with cabinet back

CFO
AD
❖ FDS
FI
■ AW
■ MPE
■ FFE

PBC27



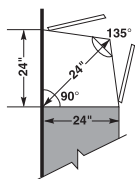


### DOUBLE DOOR BASE END CABINET

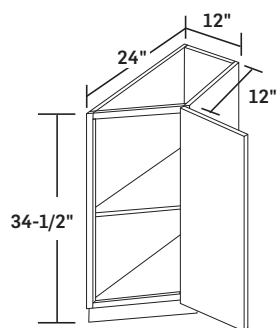
- One 5/8" thick fixed full-depth shelf
- Two hinges per door
- Two false drawer fronts
- Reversible
- End panels are not finished

BEC24

TOP VIEW



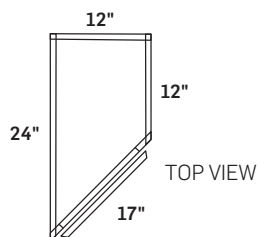
CFO
AD
❖ FDS
FI
■ AW
■ MPE
FFE



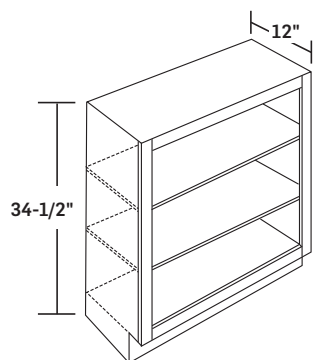
### BASE TRANSITIONAL CABINET

- Designed to transition from 24" deep base cabinets to 12" deep cabinets
- Can be used at the end of a run of 24" deep base cabinets with the 12" deep end exposed
- One full height door
- Two hinges per door
- Specify L or R door hinge which designated 12" deep end orientation
- Door will always hinge on side with 12" end panel
- One full-depth fixed shelf
- Adjacent cabinets can install directly against BTC12 without the need for fillers

BTC12 L or R



CFO
AD
❖ FDS
FI
■ AW
■ MPE
FFE

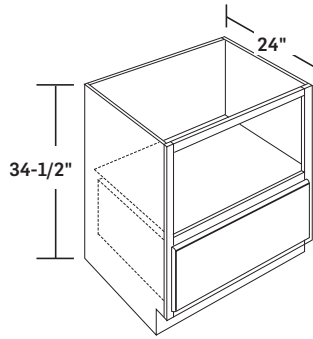


### FINISHED INTERIOR BASE CABINET BOOKCASES

- Two 5/8" thick adjustable shelves
- Available in oak, maple, or cherry veneer plywood finished interior and exterior
- **Finished interior base cabinet bookcases come standard with plywood construction and matching finished interior**
- Not available in Thermofoil door styles

BCB2412  
BCB3012  
BCB3612

CFO
AD
❖ FDS
❖ FI
❖ AW
❖ MPE
■ FFE



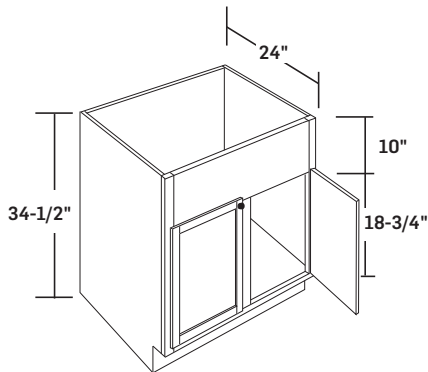
**MICROWAVE BASE CABINETS**

- Heavy-duty drawer guides
- **Microwave base cabinets come standard with plywood construction and matching finished interior**

	CFO
	AD
	FDS
❖	FI
❖	AW
❖	MPE
■	FFE

OPENING SIZE

BMC24	15-3/4" H x 21" W
BMC27	15-3/4" H x 24" W
BMC30	15-3/4" H x 27" W



**DOUBLE DOOR BASE RANGE CABINET**

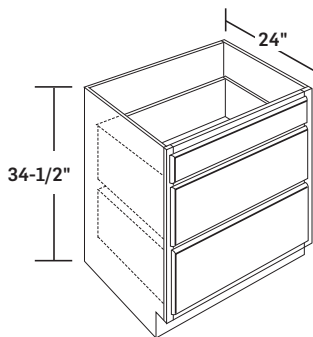
- Designed for use with drop-in cooktop
- Two hinges per door

SB42RT

■	CFO
■	AD
	FDS
	FI
■	AW
■	MPE
■	FFE

MINIMUM / MAXIMUM CUT OUT DIMENSIONS

MODEL	WIDTH		HEIGHT	
	MINIMUM	MAXIMUM	MINIMUM	*MAXIMUM
SB42RT	N/A	39"	N/A	8-1/4"

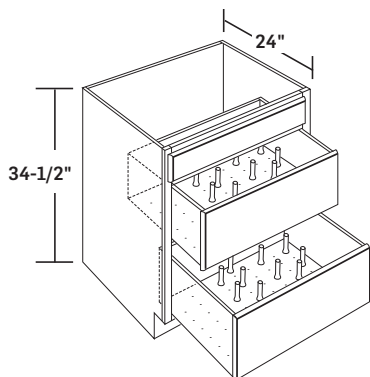


**DRAWER BASE RANGE CABINETS**

- One false drawer front on top and two deep drawers on bottom
- Designed for use with cooktop
- Heavy-duty drawer guide in bottom two drawers
- Distance between top of drawer front and top of cabinet is 1/2" for full overlay door styles and 1-7/16" for standard reveal door styles

DBR30  
DBR36

	CFO
	AD
	FDS
	FI
■	AW
■	MPE
■	FFE

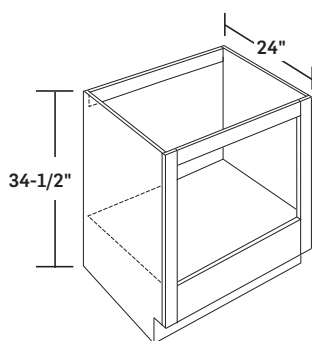


### DRAWER BASE RANGE CABINETS WITH PEGGED DISH ORGANIZERS

- One false drawer front on top and two deep drawers on bottom
- Designed for use with cooktop
- Wood peg organization system installed in both deep drawers
- Used for pots, pans, and lid organization
- 12 adjustable pegs included per drawer
- Heavy-duty drawer guide in bottom two drawers

DBR30PDO  
DBR36PDO

CFO
AD
FDS
FI
■ AW
■ MPE
■ FFE



### BASE OVEN CABINETS

- For under counter installation of single oven
- Plywood floor
- Trimmable 3" stiles

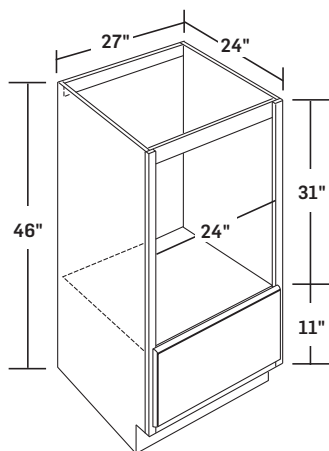
BOV27  
BOV30  
BOV33

CFO
AD
FDS
FI
■ AW
■ MPE
■ FFE

#### MINIMUM / MAXIMUM CUT OUT DIMENSIONS

MODEL	WIDTH		HEIGHT	
	MINIMUM	MAXIMUM	MINIMUM	*MAXIMUM
BOV27	21"	25"	18-1/4"	28-3/4"
BOV30	24"	28"	18-1/4"	28-3/4"
BOV33	27"	31"	18-1/4"	28-3/4"

\*With top rail removed

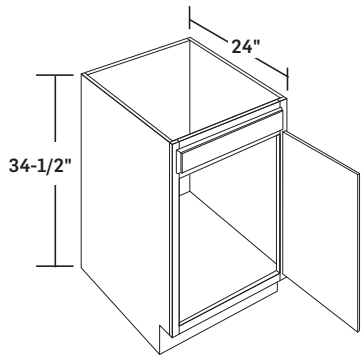


### BASE DISHWASHER CABINET

- Allows for 11" raised installation of standard dishwasher
- False drawer front
- Finished top required
- Plywood floor
- Top rail is removable (used for shipping purposes only)

BDW27

CFO
AD
FDS
FI
■ AW
■ MPE
■ FFE

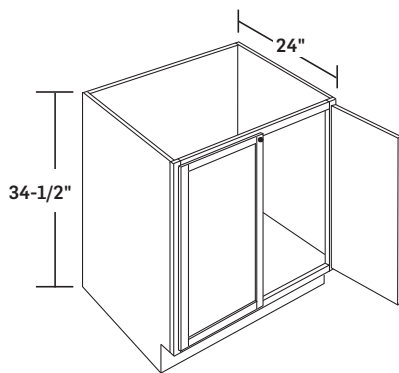


**SINGLE DOOR SINK BASE CABINETS**

- Two hinges per door
- Specify L or R door hinging
- One false drawer front on top
- **Carlisle has two butt doors on SB24**

SB18 L or R  
 SB21 L or R  
 SB24 L or R

■ CFO
■ AD
FDS
FI
■ AW
■ MPE
■ FFE

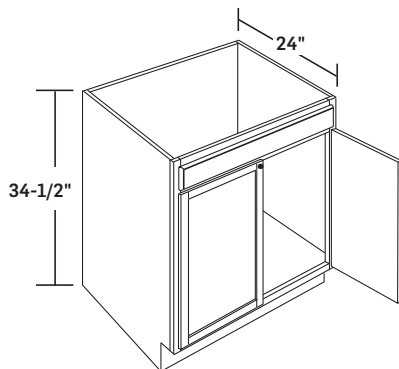


**BUTT DOOR FULL HEIGHT SINK BASE CABINETS**

- Two hinges per door

SB24BDFH  
 SB30BDFH  
 SB36BDFH

■ CFO
■ AD
FDS
FI
■ AW
■ MPE
■ FFE

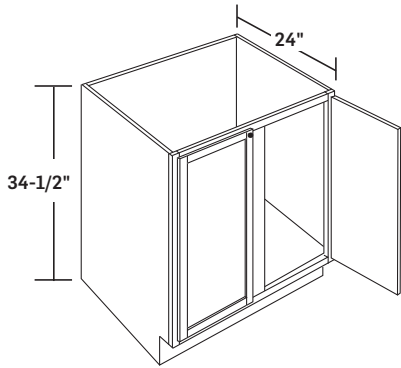


**BUTT DOOR SINK BASE CABINETS**

- Two hinges per door
- One false drawer front on top

SB24BD  
 SB27BD  
 SB30BD  
 SB33BD  
 SB36BD

■ CFO
■ AD
FDS
FI
■ AW
■ MPE
■ FFE



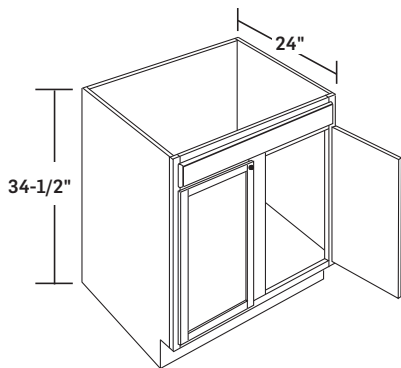
SB36 shown

**DOUBLE DOOR FULL HEIGHT SINK BASE CABINETS**

- Two hinges per door

SB30FH  
SB36FH  
SB42FH

■ CFO
■ AD
FDS
FI
■ AW
■ MPE
■ FFE



SB36 shown

**DOUBLE DOOR SINK BASE CABINETS**

- Two hinges per door
- 27"-36" wide cabinets come with one false drawer front on top
- 39"-48" wide cabinets come with two false drawer fronts on top
- **Carlisle has four butt doors on SB48**

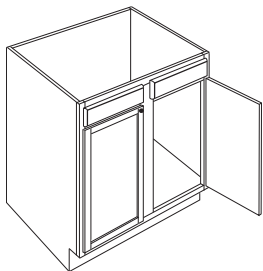
**SINGLE FALSE DRAWER FRONT**

SB27  
SB30  
SB33  
SB36

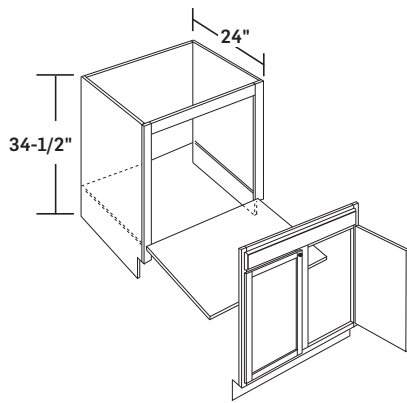
**DOUBLE FALSE DRAWER FRONTS**

SB39  
SB42  
SB45  
SB48

■ CFO
■ AD
FDS
FI
■ AW
■ MPE
■ FFE



SB39 shown

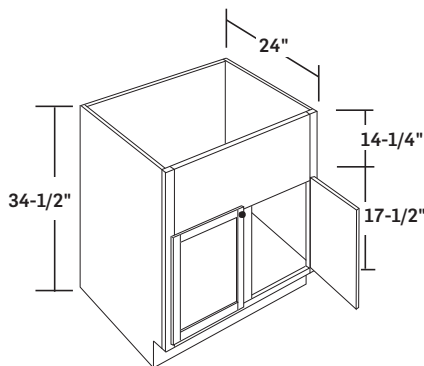


### DOUBLE DOOR SINK BASE CABINET WITH REMOVABLE FRONT

- Two hinges per door
- One false drawer front on top

**NEW** SB33REM  
SB36REM

■ CFO
■ AD
FDS
FI
■ AW
■ MPE
■ FFE



### DOUBLE DOOR FARM SINK BASE CABINETS

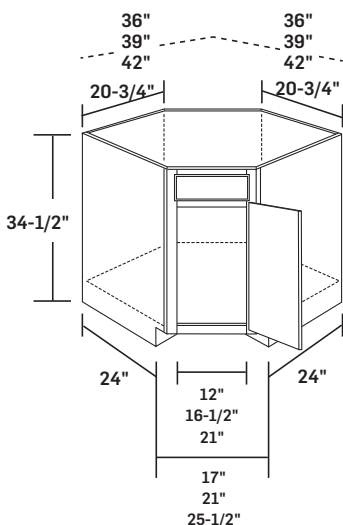
- Two hinges per door

SB30FS  
SB33FS  
SB36FS

■ CFO
■ AD
FDS
FI
■ AW
■ MPE
■ FFE

#### MINIMUM / MAXIMUM CUT OUT DIMENSIONS

MODEL	WIDTH		HEIGHT	
	MINIMUM	MAXIMUM	MINIMUM	*MAXIMUM
SB30FS	N/A	27"	N/A	12-3/4"
SB33FS	N/A	30"	N/A	12-3/4"
SB36FS	N/A	33"	N/A	12-3/4"



### DIAGONAL SINK BASE CABINETS

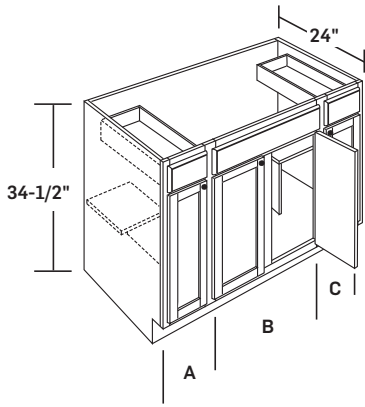
- Specify L or R hinging
- Width dimension is requirement from each back wall
- Complete Cabinet
- Maximum cabinet depth is 27-1/2"
- Ends are finished as standard base cabinet
- Cabinet at narrowest point (with door attached) is 32-3/4" wide
- One false drawer front on top
- **Carlisle has two butt doors on DSB42**

DSB36 L or R  
DSB39 L or R  
DSB42 L or R

DSB36L shown

■ CFO
AD
FDS
FI
■ AW
■ MPE
FFE



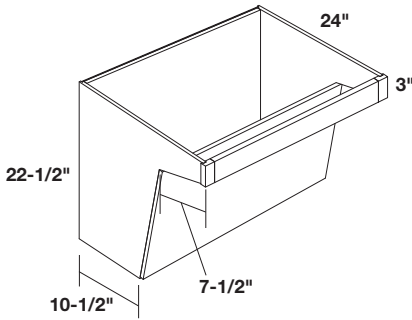


**COMBINATION SINK BASE CABINETS**

- Two 5/8" thick removable half-depth shelves on each side of the sink base center cabinet
- Two standard-depth drawers on each side with one false drawer front center
- Two hinges per door

	A	B	C
SB54	12"	30"	12"
SB60	15"	30"	15"

■ CFO
AD
FDS
FI
■ AW
■ MPE
■ FFE

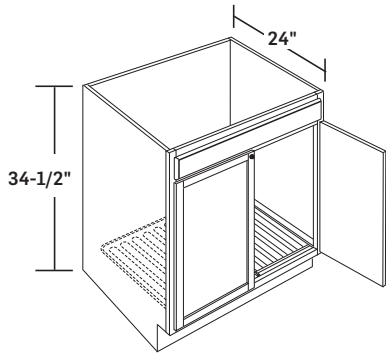


**HANGING WALL SINK BASE PLUMBING SKIRTS**

- Plywood construction only
- Altered depth available in 21" only
- Not available with glaze detailing

HWSB30PS  
HWSB36PS

CFO
+ AD
FDS
FI
❖ AW
■ MPE
■ FFE

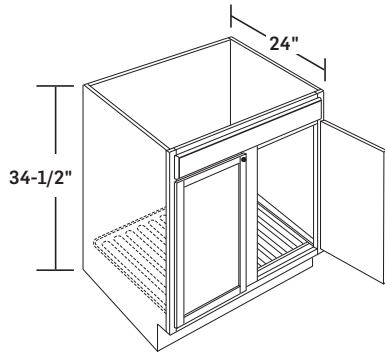


**BUTT DOOR SINK BASE CABINETS WITH DRIP TRAYS**

- Two hinges per door
- Polymer drip tray installed in bottom of cabinet
- One false drawer front on top

SB30BDDT  
SB36BDDT

CFO
AD
FDS
FI
■ AW
■ MPE
■ FFE

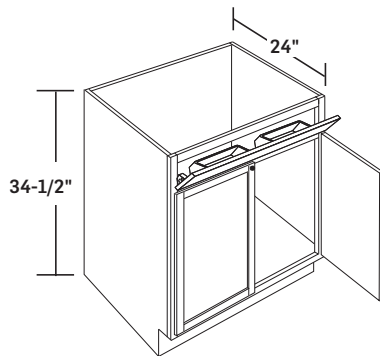


**DOUBLE DOOR SINK BASE CABINETS WITH DRIP TRAYS**

- Two hinges per door
- Polymer drip tray installed in bottom of cabinet
- One false drawer front on top

SB30DT  
SB36DT

CFO
AD
FDS
FI
■ AW
■ MPE
■ FFE

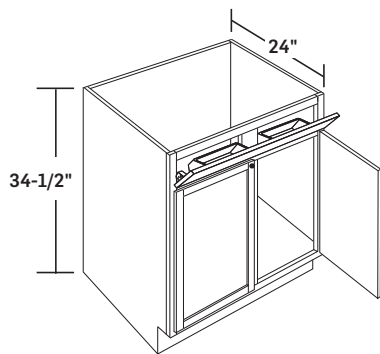


**BUTT DOOR SINK BASE CABINETS WITH TILT-OUT TRAYS**

- Two hinges per door
- One false drawer front on top with two tilt-out trays
- Self-closing tray hinges included

SB27BDTOT  
SB30BDTOT  
SB33BDTOT  
SB36BDTOT

■ CFO
■ AD
FDS
FI
■ AW
■ MPE
■ FFE

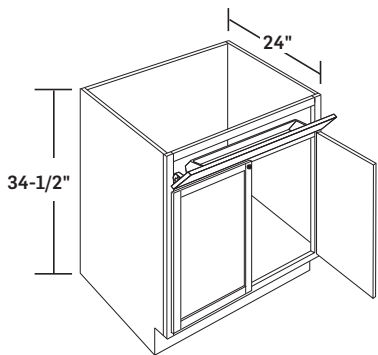


**DOUBLE DOOR SINK BASE CABINETS WITH TILT-OUT TRAYS**

- Two hinges per door
- One false drawer front on top with two tilt-out trays
- Self-closing tray hinges included

SB27TOT  
SB30TOT  
SB33TOT  
SB36TOT

■ CFO
■ AD
FDS
FI
■ AW
■ MPE
■ FFE

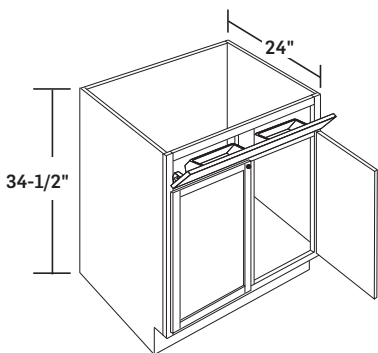


**BUTT DOOR SINK BASE CABINETS WITH SOFT-CLOSE STAINLESS STEEL TILT-OUT TRAY**

- Two hinges per door
- One false drawer front on top with a 22" wide stainless steel tilt-out tray
- Soft-close tray hinging included

SB27BDTOTSS  
 SB30BDTOTSS  
 SB33BDTOTSS  
 SB36BDTOTSS

■ CFO
■ AD
FDS
FI
AW
■ MPE
■ FFE

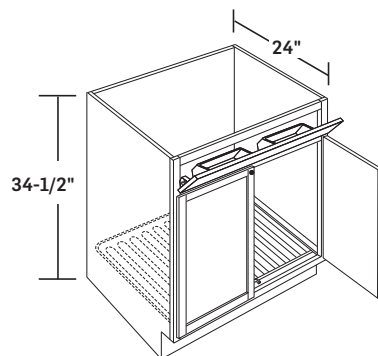


**DOUBLE DOOR SINK BASE CABINETS WITH SOFT-CLOSE STAINLESS STEEL TILT-OUT TRAYS**

- Two hinges per door
- One false drawer front on top with two 11" wide stainless steel tilt-out trays
- Soft-close tray hinging included

SB30TOTSS  
 SB33TOTSS  
 SB36TOTSS

■ CFO
■ AD
FDS
FI
AW
■ MPE
■ FFE

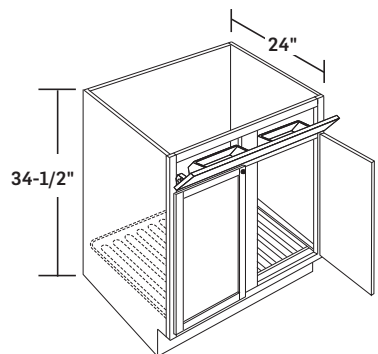


**BUTT DOOR SINK BASE CABINETS WITH DRIP TRAY AND TILT-OUT TRAYS**

- Two hinges per door
- One false drawer front on top with two tilt-out trays
- Polymer drip tray installed in bottom of cabinet.
- Self-closing tray hinges included

SB30BDTOTDT  
 SB36BDTOTDT

CFO
AD
FDS
FI
AW
■ MPE
■ FFE

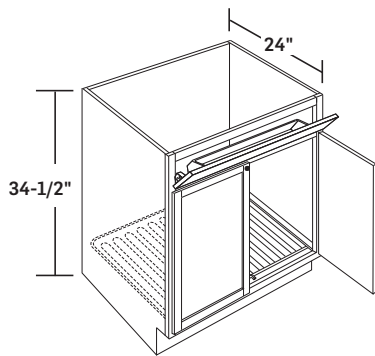


**DOUBLE DOOR SINK BASE CABINETS WITH DRIP TRAY AND TILT-OUT TRAYS**

- Two hinges per door
- One false drawer front on top with two tilt-out trays
- Polymer drip tray installed in bottom of cabinet.
- Self-closing tray hinges included

SB30TOTDT  
 SB36TOTDT

CFO
AD
FDS
FI
AW
■ MPE
■ FFE

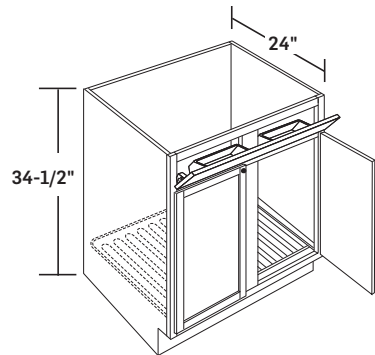


**BUTT DOOR SINK BASE CABINETS WITH DRIP TRAY AND SOFT-CLOSE STAINLESS STEEL TILT-OUT TRAY**

- Two hinges per door
- One false drawer front on top with a 22" wide stainless steel tilt-out tray
- Soft-close tray hinging included
- Polymer drip tray installed in bottom of cabinet

SB30BDTOTSSDT  
SB36BDTOTSSDT

CFO
AD
FDS
FI
■ AW
■ MPE
■ FFE

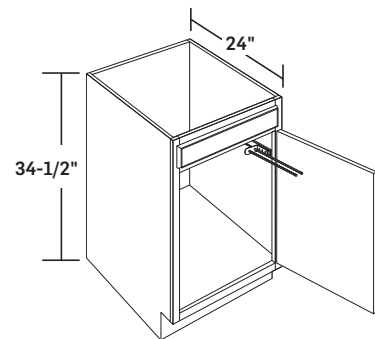


**DOUBLE DOOR SINK BASE CABINETS WITH DRIP TRAY AND SOFT-CLOSE STAINLESS STEEL TILT-OUT TRAYS**

- Two hinges per door
- One false drawer front on top with two 11" wide stainless steel tilt-out trays
- Soft-close tray hinging included
- Polymer drip tray installed in bottom of cabinet

SB30TOTSSDT  
SB36TOTSSDT

CFO
AD
FDS
FI
■ AW
■ MPE
■ FFE

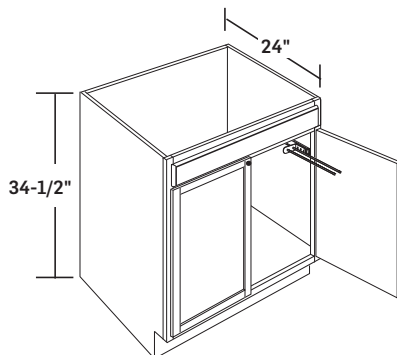


**SINGLE DOOR SINK BASE CABINETS WITH MOUNTED TOWEL BAR**

- Two hinges per door
- Specify L or R door hinging
- Towel bar mounted to right inside wall of cabinet
- One false drawer front on top

SB18TB L or R  
SB21TB L or R  
SB24TB L or R

CFO
■ AD
FDS
FI
■ AW
■ MPE
■ FFE

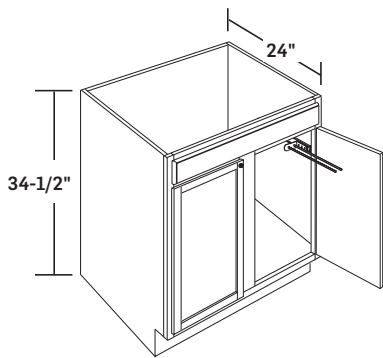


**BUTT DOOR SINK BASE CABINETS WITH MOUNTED TOWEL BAR**

- Two hinges per door
- Towel bar mounted to right inside wall of cabinet
- One false drawer front on top

SB24BDTB  
SB27BDTB  
SB30BDTB  
SB33BDTB

CFO
■ AD
FDS
FI
■ AW
■ MPE
■ FFE

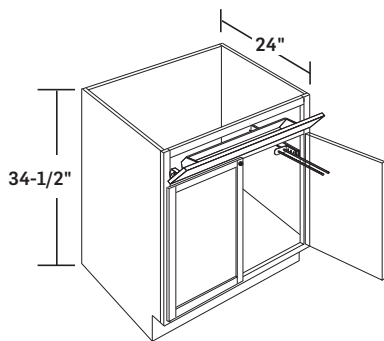


**DOUBLE DOOR SINK BASE CABINETS WITH MOUNTED TOWEL BAR**

- Two hinges per door
- Towel bar mounted to right inside wall of cabinet
- One false drawer front on top

SB27TB  
 SB30TB  
 SB33TB  
 SB36TB  
 SB39TB  
 SB42TB  
 SB45TB  
 SB48TB

CFO
■ AD
FDS
FI
■ AW
■ MPE
■ FFE

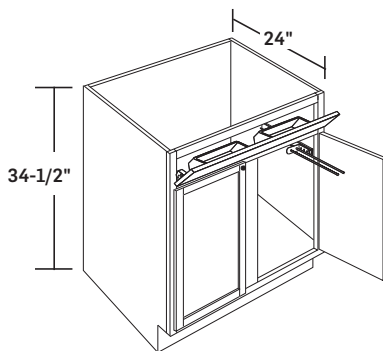


**BUTT DOOR SINK BASE CABINETS WITH SOFT-CLOSE STAINLESS STEEL TILT-OUT TRAY AND MOUNTED TOWEL BAR**

- Two hinges per door
- One false drawer front on top with a 22" wide stainless steel tilt-out tray
- Soft-close tray hinging included
- Towel bar mounted to right inside wall of cabinet

SB27BDTOTSSTB  
 SB30BDTOTSSTB  
 SB33BDTOTSSTB  
 SB36BDTOTSSTB

CFO
■ AD
FDS
FI
■ AW
■ MPE
■ FFE

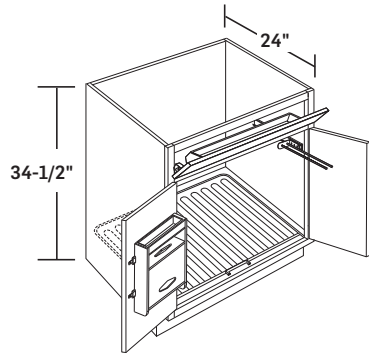


**DOUBLE DOOR SINK BASE CABINETS WITH SOFT-CLOSE STAINLESS STEEL TILT-OUT TRAY AND MOUNTED TOWEL BAR**

- Two hinges per door
- One false drawer front on top with two 11" wide stainless steel tilt-out trays
- Soft-close tray hinging included
- Towel bar mounted to right inside wall of cabinet

SB30TOTSSTB  
 SB33TOTSSTB  
 SB36TOTSSTB

CFO
■ AD
FDS
FI
■ AW
■ MPE
■ FFE

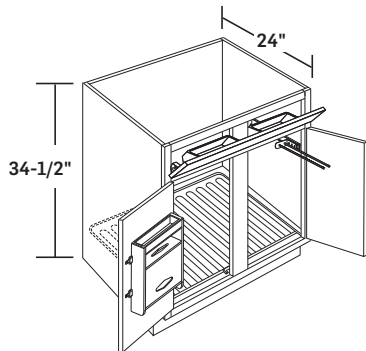


**BUTT DOOR SINK BASE DELUXE CABINET**

- Two hinges per door
- One false drawer front on top with a 22" wide stainless steel tilt-out tray
- Soft-close tray hinging included
- Polymer drip tray installed in bottom of cabinet
- Towel bar mounted to right inside wall of cabinet
- Solid wood grocery bag holder mounted on left cabinet door

CFO
AD
FDS
FI
■ AW
■ MPE
■ FFE

SBD30BD  
SBD36BD

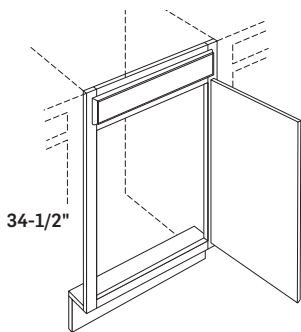


**DOUBLE DOOR SINK BASE DELUXE CABINET**

- Two hinges per door
- One false drawer front on top with two 11" wide stainless steel tilt-out trays
- Soft-close tray hinging included
- Polymer drip tray installed in bottom of cabinet
- Towel bar mounted to right inside wall of cabinet
- Solid wood grocery bag holder mounted on left cabinet door

CFO
AD
FDS
FI
■ AW
■ MPE
■ FFE

SBD30  
SBD36

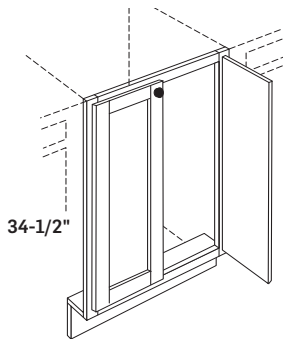


**SINGLE DOOR SINK FRONTS**

- Two hinges per door
- Specify L or R door hinging
- Non-trimmable
- One false drawer front on top
- **Carlisle has two butt doors on SF24**

SF18 L or R  
SF21 L or R  
SF24 L or R

CFO
AD
FDS
FI
AW
MPE
FFE

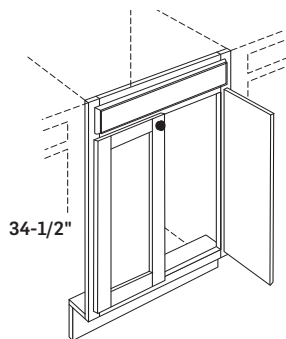


**BUTT DOOR FULL HEIGHT SINK FRONTS**

- Non-trimmable

SF24BDFH  
SF30BDFH  
SF36BDFH

CFO
AD
FDS
FI
AW
MPE
FFE

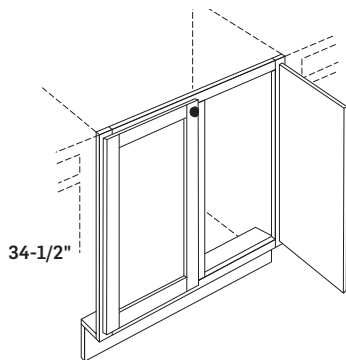


**BUTT DOOR SINK FRONTS**

- Non-trimmable
- One false drawer front on top

SF27BD  
SF30BD  
SF33BD  
SF36BD

CFO
AD
FDS
FI
AW
MPE
FFE

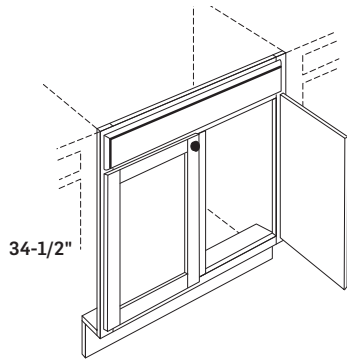


**DOUBLE DOOR FULL HEIGHT SINK FRONTS**

- Two hinges per door

SF30FH  
SF36FH  
SF42FH

CFO
AD
FDS
FI
AW
MPE
FFE

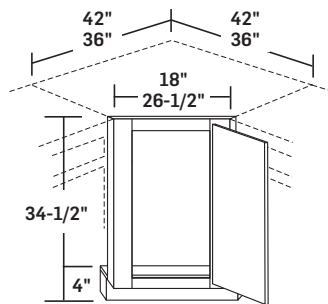


**DOUBLE DOOR SINK FRONTS**

- Two hinges per door
- Sink fronts made to be trimmable 3" per side upon request. Add suffix "T" – example: SF36T
- SF27 is non-trimmable
- 27"-36" wide fronts come with one false drawer front on top
- 39"-48" wide fronts come with two false drawer fronts on top
- **Carlisle has four butt doors on SF48**

CFO
AD
FDS
FI
AW
MPE
FFE

SF27  
SF30  
SF33  
SF36  
SF39  
SF42  
SF45  
SF48

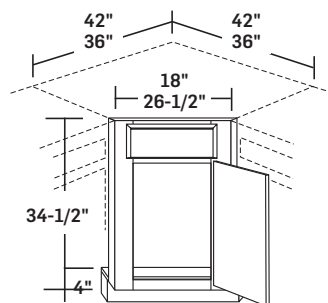


**SINGLE DOOR FULL HEIGHT CORNER SINK FRONT**

- Two hinges per door
- Specify L or R door hinging

CSF36FH L or R

CFO
AD
FDS
FI
AW
MPE
FFE



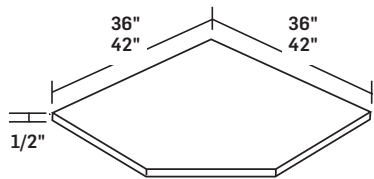
**SINGLE DOOR CORNER SINK FRONTS**

- Two hinges per door
- Specify L or R door hinging
- One false drawer front on top
- **Carlisle has two butt doors on CSF42**

CSF36 L or R  
CSF42 L or R

CFO
AD
FDS
FI
AW
MPE
FFE



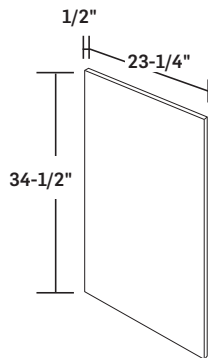


**CORNER SINK FRONT FLOORS**

- 1/2" thick laminate on composite panel for Premier construction
- 1/2" thick finished plywood for AllWood and Pinnacle construction

CSFFL36  
CSFFL42

CFO
AD
FDS
FI
AW
MPE
FFE

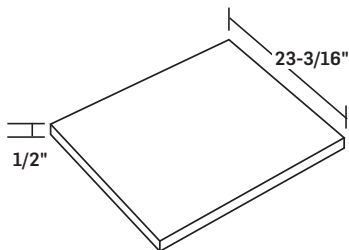


**SINK FRONT RETURN**

- 1/2" thick laminate on composite panel for Premier construction
- 1/2" thick finished plywood for AllWood and Pinnacle construction

SFR

CFO
AD
FDS
FI
AW
MPE
FFE

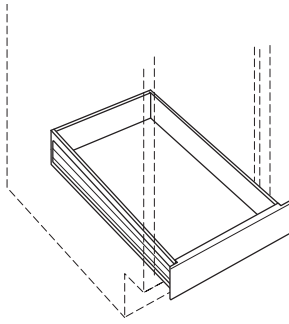


**SINK FRONT FLOORS**

- 1/2" thick laminate on composite panel for Premier construction
- 1/2" thick finished plywood for AllWood and Pinnacle construction

FL24	FL42
FL27	FL45
FL30	FL48
FL33	FL60
FL36	FL66
FL39	FL72

CFO
AD
FDS
FI
AW
MPE
FFE



**PULL OUT SHELF TRAYS**

- Full-depth shelf tray
- Must order two shelf trays for 30", 36", 42" or 48" wide cabinets. (ie: 2-ST18 for 36" wide cabinet)
- Shelf tray shipped with drawer guides for 18", 21", or 24" deep cabinets
- Not available in dovetail construction
- Maximum recommended load: 75 lbs

CFO
AD
FDS
FI
AW
MPE
FFE

**18" DEEP PULL OUT SHELF TRAYS**

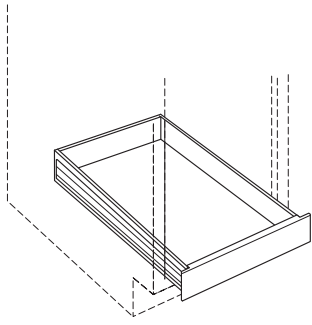
- ST12x18 (Fits 12" wide cabinets)
- ST15x18 (Fits 15" or 30" wide cabinets)
- ST18x18 (Fits 18" or 36" wide cabinets)
- ST21x18 (Fits 21" or 42" wide cabinets)
- ST24x18 (Fits 24" or 48" wide cabinets)
- ST27x18 (Fits 27" wide cabinets, 2 trays)
- ST33x18 (Fits 33" wide cabinets, 2 trays)
- ST39x18 (Fits 39" wide cabinets, 2 trays)
- ST45x18 (Fits 45" wide cabinets, 2 trays)

**21" DEEP PULL OUT SHELF TRAYS**

- ST12x21 (Fits 12" wide cabinets)
- ST15x21 (Fits 15" or 30" wide cabinets)
- ST18x21 (Fits 18" or 36" wide cabinets)
- ST21x21 (Fits 21" or 42" wide cabinets)
- ST24x21 (Fits 24" or 48" wide cabinets)
- ST27x21 (Fits 27" wide cabinets, 2 trays)
- ST33x21 (Fits 33" wide cabinets, 2 trays)
- ST39x21 (Fits 39" wide cabinets, 2 trays)
- ST45x21 (Fits 45" wide cabinets, 2 trays)

**24" DEEP PULL OUT SHELF TRAYS**

- ST12 (Fits 12" wide cabinets)
- ST15 (Fits 15" or 30" wide cabinets)
- ST18 (Fits 18" or 36" wide cabinets)
- ST21 (Fits 21" or 42" wide cabinets)
- ST24 (Fits 24" or 48" wide cabinets)
- ST27 (Fits 27" wide cabinets, 2 trays)
- ST33 (Fits 33" wide cabinets, 2 trays)
- ST39 (Fits 39" wide cabinets, 2 trays)
- ST45 (Fits 45" wide cabinets, 2 trays)



## WIDE BUTT DOOR PULL OUT SHELF TRAYS

- Full-depth shelf tray
- Shelf tray shipped with drawer guides for 18", 21", or 24" deep cabinets
- Not available in dovetail construction
- Maximum recommended load: 75 lbs

CFO
AD
FDS
FI
AW
MPE
FFE

### 18" DEEP PULL OUT SHELF TRAYS

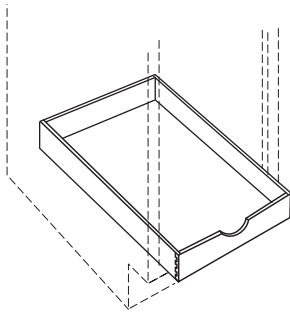
- ST27BDx18 (Fits 27" wide butt door cabinets)
- ST30BDx18 (Fits 30" wide butt door cabinets)
- ST33BDx18 (Fits 33" wide butt door cabinets)
- ST36BDx18 (Fits 36" wide butt door cabinets)

### 21" DEEP PULL OUT SHELF TRAYS

- ST27BDx21 (Fits 27" wide butt door cabinets)
- ST30BDx21 (Fits 30" wide butt door cabinets)
- ST33BDx21 (Fits 33" wide butt door cabinets)
- ST36BDx21 (Fits 36" wide butt door cabinets)

### 24" DEEP PULL OUT SHELF TRAYS

- ST27BD (Fits 27" wide butt door cabinets)
- ST30BD (Fits 30" wide butt door cabinets)
- ST33BD (Fits 33" wide butt door cabinets)
- ST36BD (Fits 36" wide butt door cabinets)



**DELUXE PULL OUT SHELF TRAY KITS**

- 5/8" thick solid wood full-depth dovetailed shelf trays with scooped front
- Shelf tray shipped with full-extension soft-close drawer guides for 18", 21", or 24" deep cabinets
- Adjustable system allows for customized vertical tray spacing
- **Cabinets with white interiors order DST\_W**  
Example: DST18W or DST18W-2
- Use Altered Depth option to reduce depth to 18" or 21"

CFO
■ AD
FDS
FI
AW
MPE
FFE

**TRAY KITS FOR 12" WIDE CABINETS**

DST12  
DST12-2

**TRAY KITS FOR 33" WIDE CABINETS**

DST33-2  
DST33-4

**TRAY KITS FOR 15" WIDE CABINETS**

DST15  
DST15-2

**TRAY KITS FOR 36" WIDE CABINETS**

DST36-2  
DST36-4

**TRAY KITS FOR 18" WIDE CABINETS**

DST18  
DST18-2

**TRAY KITS FOR 39" WIDE CABINETS**

DST39-2  
DST39-4

**TRAY KITS FOR 21" WIDE CABINETS**

DST21  
DST21-2

**TRAY KITS FOR 42" WIDE CABINETS**

DST42-2  
DST42-4

**TRAY KITS FOR 24" WIDE CABINETS**

DST24  
DST24-2

**TRAY KITS FOR 45" WIDE CABINETS**

DST45-2  
DST45-4

**TRAY KITS FOR 27" WIDE CABINETS**

DST27-2  
DST27-4

**TRAY KITS FOR 48" WIDE CABINETS**

DST48-2  
DST48-4

**TRAY KITS FOR 30" WIDE CABINETS**

DST30-2  
DST30-4

**TRAY KITS FOR 18" WIDE PANTRY CABINETS**

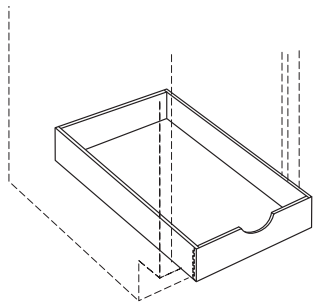
DST18PC

**TRAY KITS FOR 24" WIDE PANTRY CABINETS**

DST24PC

**TRAY KITS FOR 30" WIDE PANTRY CABINETS**

DST30PC



**WIDE BUTT DOOR DELUXE PULL OUT SHELF TRAY KITS**

- 5/8" thick solid wood full-depth dovetailed shelf trays with scooped front
- Shelf tray shipped with full-extension soft-close drawer guides for 18", 21", or 24" deep cabinets
- Adjustable system allows for customized vertical tray spacing
- **Cabinets with white interiors order DST\_W**  
Example: DST18W or DST18W-2
- Use Altered Depth option to reduce depth to 18" or 21"

CFO
■ AD
FDS
FI
AW
MPE
FFE

**TRAY KITS FOR 27" WIDE BUTT DOOR CABINETS**

DST27BD  
DST27BD-2

**TRAY KITS FOR 30" WIDE BUTT DOOR CABINETS**

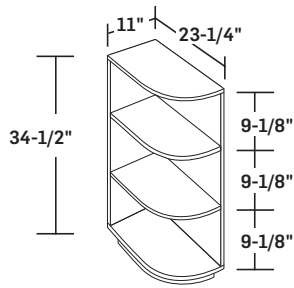
DST30BD  
DST30BD-2

**TRAY KITS FOR 33" WIDE BUTT DOOR CABINETS**

DST33BD  
DST33BD-2

**TRAY KITS FOR 36" WIDE BUTT DOOR CABINETS**

DST36BD  
DST36BD-2

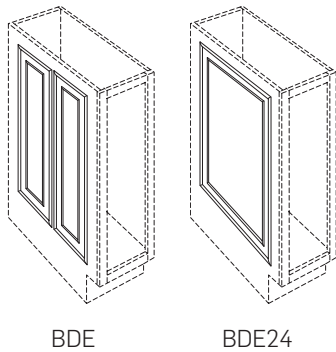


**BASE KNICK KNACK SHELF**

- Available in oak, maple, or cherry veneer
- Reversible
- Shelf radius is 9-1/4"
- Shelves are 3/4" thick

BS24

CFO
AD
FDS
FI
AW
MPE
FFE



**BASE CABINET DECORATIVE ENDS**

- BDE has two cabinet doors used as decorative end panels  
Door Measurements:  
Standard Reveal: 10" w x 28" h  
1/4" Reveal Full Overlay: 11-1/2" w x 29-1/2" h
- BDE24 has single cabinet door used as decorative end panel  
Door Measurements:  
Standard Reveal: 22" W x 28" H  
1/4" Reveal Full Overlay: 23-1/2" W x 29-1/2" H  
**Carlisle comes as 2-butt doors**
- Used on end of run base cabinets as finished decorative door
- Shipped loose for field installation

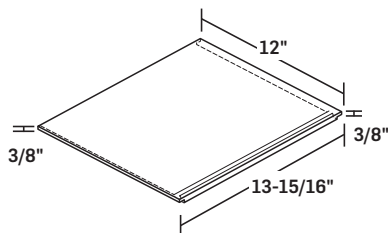
CFO
AD
FDS
FI
AW
MPE
FFE

**TWO CABINET DOORS  
DECORATIVE END**

BDE

**SINGLE CABINET DOOR  
DECORATIVE END**

BDE24

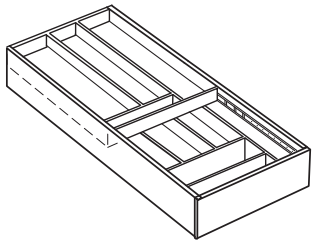


**CUTTING BOARD**

- Cutting Board is polymer
- Cutting Board rests on top of any 18" Base Cabinet Drawer
- Grooves to be cut in field

CB18

CFO
AD
FDS
FI
AW
MPE
FFE

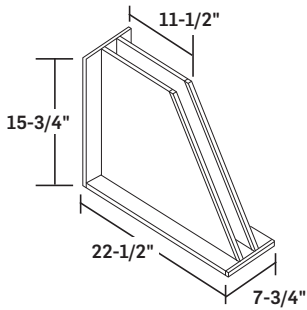


**TIERED CUTLERY DIVIDER KITS**

- Wood cutlery divider in a dovetail drawer box that can be installed to replace top drawer of DB15, DB15-3, DB18, DB18-3, DB21, or DB21-3 drawer base cabinets

TCD15  
TCD18  
TCD21

CFO
AD
FDS
FI
AW
MPE
FFE



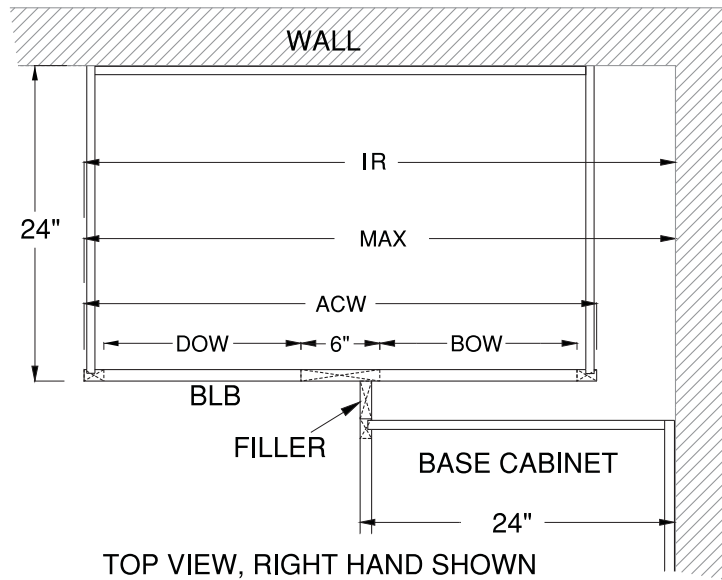
**TRAY DIVIDER**

- Installs in B09 or any BA cabinet
- Clear coat maple veneer construction
- Shipped loose for field installation

TD

CFO
AD
FDS
FI
AW
MPE
FFE

### BLIND BASE CABINET INSTRUCTIONS



#### BLIND BASE CABINETS BY WIDTH

CABINET	ACW	IR/STD OVERLAY	IR/FULL OVERLAY	MAX	DOW	BOW
BLB36/39	27"	36" – 39"	37" – 39"	40"	9"	9"
BLB39/42	33"	39" – 42"	40" – 42"	43"	12"	12"
BLB42/45	39"	42" – 45"	43" – 45"	46"	15"	15"
BLB45/48	45"	45" – 48"	46" – 48"	49"	18"	18"
BLB48/51*	48"	48" – 51"	49" – 51"	52"	21"	18"

\* Must be ordered with proper L or R designation. Not reversible in the field.

#### BLIND CABINETS LEGEND

ACW	The actual cabinet width
IR	The recommended installation range from the adjacent wall
MAX	The maximum distance the cabinet can pull from the adjacent wall and still affix the adjacent filler/cabinet to the 6" post
DOW	The door opening width dimension
BOW	The blind opening width dimension

#### ADDITIONAL CORNER CLEARANCE GUIDELINES FOR BASE CABINETS

USING PULLS & KNOBS	Add a minimum of 1-1/2" for door/drawer clearance past adjacent pulls and knobs
ADJACENT APPLIANCES	Consult appliance manufacturers installation details
PLEASE NOTE:	Blind cabinets may be pulled (full overlay only) an additional 1-3/4" with the use of the 6" full overlay filler. The adjacent filler/cabinet will not attach to the 6" center post.



## BASE CABINET FRONT FRAME INSTRUCTIONS & DOOR CALCULATOR

### BASE CABINET FRONT FRAME LEGEND & OPENING FORMULAS

ID	DESCRIPTION	CABINET TYPE	OPENING FORMULA
<b>CW</b>	Cabinet Width	All	Width From Cabinet ID
<b>CH</b>	Cabinet Height	All	Height From Cabinet ID
<b>FFH</b>	Front Frame Height	All	CH minus Toe Kick
<b>DOW</b>	Door (Drawer) Opening Width	Single Door	$CW - 3" = DOW$
	Door (Drawer) Opening Width	Double Butt Door	$CW - 3" = DOW$ (For 2 Doors)
	Door (Drawer) Opening Width	Double Door w/Post	$(CW - 6") \div 2 = DOW$
	Door (Drawer) Opening Width	Single Door Blind	$CW - 15" = DOW$
	Door (Drawer) Opening Width	Double Door Blind	$(CW - 18") \div 2 = DOW$
<b>DOH</b>	Door Opening Height	Door and Drawer Base	$CH - 9-1/4" = DOH$
	Door Opening Height	Full Height Door Base	$CH - 7-1/2" = DOH$
	Door Opening Height	Blind Corner Bases	$CH - 9-1/4" = DOH$

### BASE DOOR DIMENSIONS CALCULATOR – WIDTH

DOOR TYPE	DESCRIPTION OF DOOR TYPE	CABINET TYPE	DOOR DIMENSION FORMULA
<b>FODW</b>	Full Overlay Door Width (1/4" Reveal)	1 and 2 Door Bases	$DOW + 2-1/2" = FODW$
		Butt Door Bases	$(DOW + 2-7/16") \div 2 = FODW$
<b>SODW</b>	Standard Overlay Door Width	1 and 2 Door Bases	$DOW + 1" = SODW$
		Butt Door Bases	$(DOW + 15/16") \div 2 = SODW$

### DECIMAL EQUIVALENT CHART LOCATED ON PAGE 2.5

### BASE DOOR DIMENSIONS CALCULATOR – HEIGHT

DOOR TYPE	DESCRIPTION OF DOOR TYPE	CABINET TYPE	DOOR DIMENSION FORMULA
<b>FODH</b>	Full Overlay Door Height (1/4" Reveal)	Standard Drawer and Door	$DOH + 2-1/4" = FODH$
		Full Height Door	$DOH + 2-1/2" = FODH$
<b>SODH</b>	Standard Overlay Door Height	Standard Drawer and Door	$DOH + 7/8" = SODH$
		Full Height Door	$DOH + 1" = SODH$

### DOOR SIZE EXCEPTIONS

CABINET TYPE	DESCRIPTION OF CABINET	FOD	SOD
<b>CAR</b>	Rotating Corner Base Cabinet	10-7/8" x 29-1/2"	10" x 28"
<b>BSQC</b>	Easy Reach Corner Base Cabinet		
<b>BRC36</b>	Rotating Corner Base Cabinet		
<b>BEC24</b>	Double Door Base End Cabinet	17-1/2" x 23"	16" x 21-5/8"
<b>BDC36</b>	Base Diagonal Corner Cabinet	17-7/8" x 29-1/2"	7-1/8" x 28"
<b>BRC33</b>	Rotating Corner Base Cabinet	14-1/2" x 29-1/2"	13" x 28"

### DRAWER HEAD DIMENSIONS CALCULATOR – WIDTH

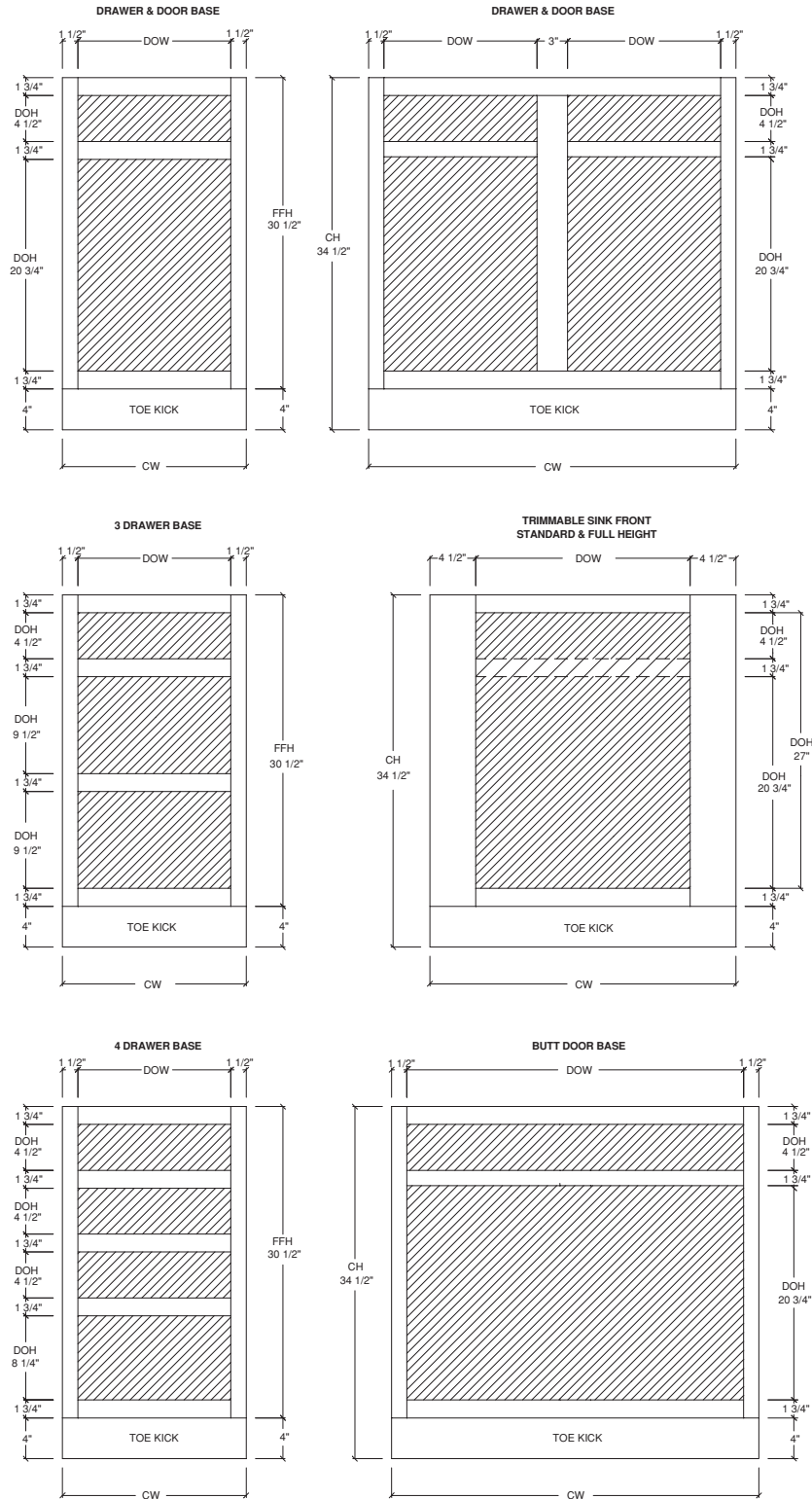
DOOR TYPE	DESCRIPTION OF DOOR TYPE	CABINET TYPE	DOOR DIMENSION FORMULA
<b>FODW</b>	Full Overlay Door Width (1/4" Reveal)	All Base Cabinets	$DOW + 2-1/2" = FODW$
<b>SODW</b>	Standard Overlay Door Width	All Base Cabinets	$DOW + 1" = SODW$

### DECIMAL EQUIVALENT CHART LOCATED ON PAGE 2.5

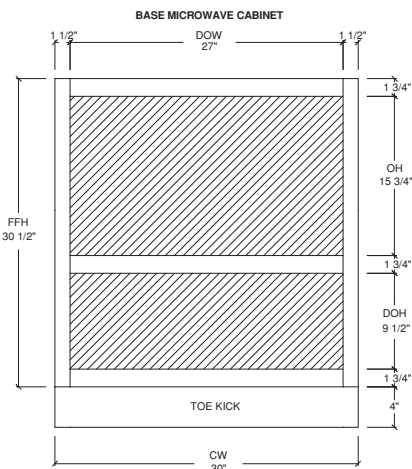
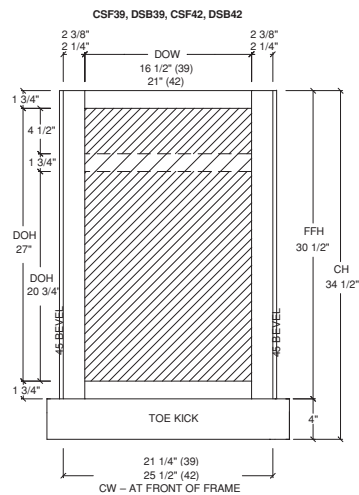
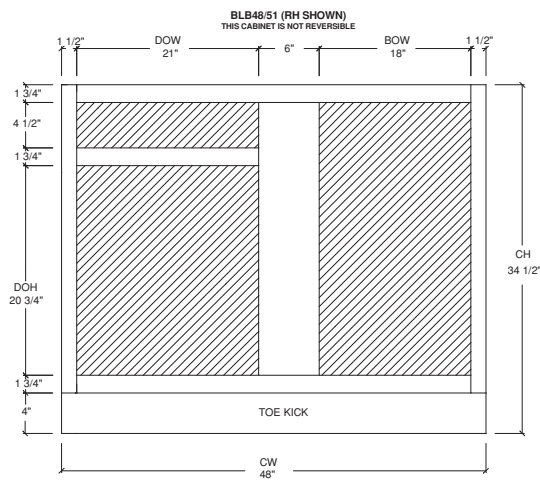
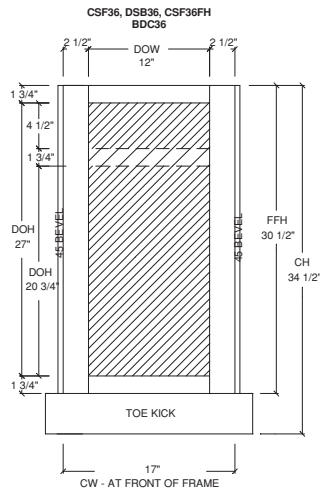
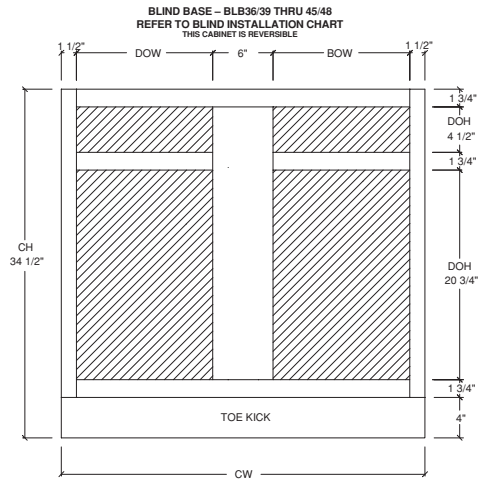
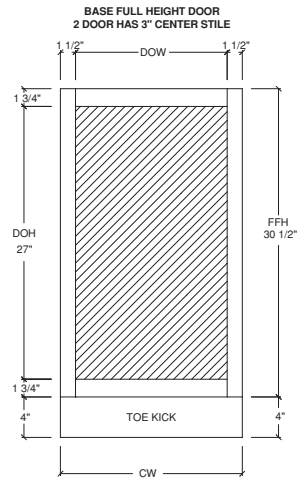
### DRAWER HEAD DIMENSIONS CALCULATOR – HEIGHT

DOOR TYPE	DESCRIPTION OF DOOR TYPE	CABINET TYPE	DOOR DIMENSION FORMULA
<b>FODH</b>	Full Overlay Door Height (1/4" Reveal)	Top Drawers	$DOH + 1-3/4" = FODH$
		Bottom Drawers	
<b>SODH</b>	Standard Overlay Door Height	All Drawers	$DOH + 1/2" = SODH$

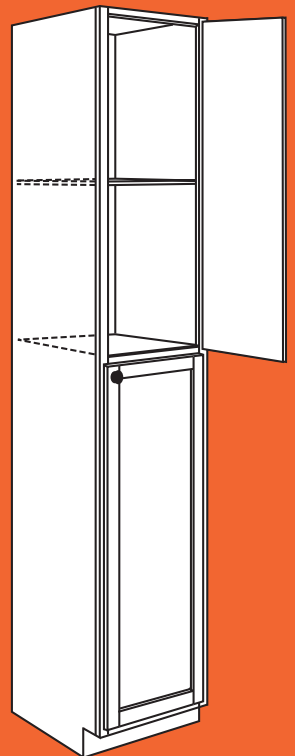
### BASE CABINET FRONT FRAMES



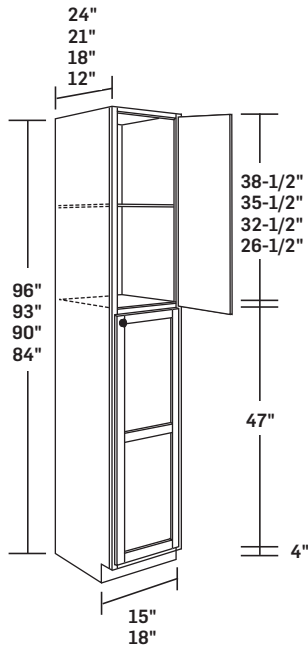
## BASE CABINET FRONT FRAMES



# TALL CABINETS



TALL CABINETS



1824x90 R shown

### 96", 93", 90" or 84" HIGH x 15" or 18" WIDE SINGLE DOOR UTILITY CABINETS

- Upper section of 96" and 93" high cabinets has two 5/8" thick adjustable shelves; upper section of 90" and 84" high cabinets has one 5/8" thick adjustable shelf
- Lower portion of utility cabinet shipped without shelves
- Order UCS\_ \_ \_ \_ shelves separately for lower section (page 5.6)
- Opening height is 46-7/8" in lower section
- 3 hinges per door on lower section
- 3 hinges per door for upper section on 96" and 93" high cabinets
- 2 hinges per door for upper section on 90" and 84" high cabinets
- Specify L or R door hinging
- Toe kick shipped loose on 96" and 93" high cabinets
- Single door top and bottom
- Bottom door comes with two panels in most door styles. Bedford, Bellevue, Lisburn, Marianna, Southampton and Sutton come with single panel bottom doors.

CFO
AD
FI
■ AW
■ MPE
■ FFE

#### 15" WIDE UTILITY CABINETS

UC1524x96 L or R (24" depth)  
 UC1521x96 L or R (21" depth)  
 UC1518x96 L or R (18" depth)  
 UC1512x96 L or R (12" depth)

- NEW** UC1524x93 L or R (24" depth)
- NEW** UC1521x93 L or R (21" depth)
- NEW** UC1518x93 L or R (18" depth)
- NEW** UC1512x93 L or R (12" depth)

UC1524x90 L or R (24" depth)  
 UC1521x90 L or R (21" depth)  
 UC1518x90 L or R (18" depth)  
 UC1512x90 L or R (12" depth)

UC1524 L or R (24" depth, 84" high)  
 UC1521 L or R (21" depth, 84" high)  
 UC1518 L or R (18" depth, 84" high)  
 UC1512 L or R (12" depth, 84" high)

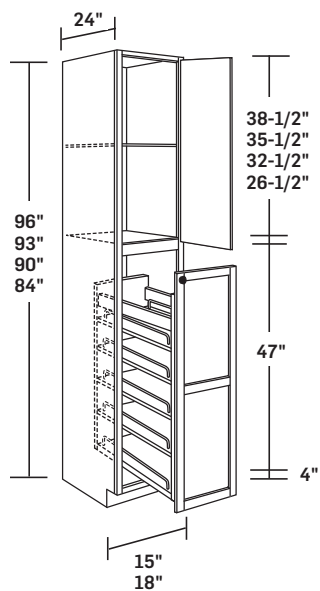
#### 18" WIDE UTILITY CABINETS

UC1824x96 L or R (24" depth)  
 UC1821x96 L or R (21" depth)  
 UC1818x96 L or R (18" depth)  
 UC1812x96 L or R (12" depth)

- NEW** UC1824x93 L or R (24" depth)
- NEW** UC1821x93 L or R (21" depth)
- NEW** UC1818x93 L or R (18" depth)
- NEW** UC1812x93 L or R (12" depth)

UC1824x90 L or R (24" depth)  
 UC1821x90 L or R (21" depth)  
 UC1818x90 L or R (18" depth)  
 UC1812x90 L or R (12" depth)

UC1824 L or R (24" depth, 84" high)  
 UC1821 L or R (21" depth, 84" high)  
 UC1818 L or R (18" depth, 84" high)  
 UC1812 L or R (12" depth, 84" high)



PPO1824x90 R shown

## 96", 93", 90" or 84" HIGH x 24" DEEP UTILITY CABINETS WITH PULL-OUT SHELF SYSTEM

- Upper section of 96" and 93" high cabinets has two 5/8" thick adjustable shelves; upper section of 90" and 84" high cabinets has one 5/8" thick adjustable shelf
- Lower portion of pull-out pantry unit has three adjustable shelves
- Unit slides out on full extension soft-close runners
- Opening height is 46-7/8" in lower section
- 3 hinges per door for upper section on 96" and 93" high cabinets
- 2 hinges per door for upper section on 90" and 84" high cabinets
- Specify L or R door hinging
- Toe kick shipped loose on 96" and 93" high cabinets
- Single door top and bottom
- Bottom door comes with two panels in most door styles. Bedford, Belleview, Lisburn, Marianna, Southampton and Sutton come with single panel bottom doors.

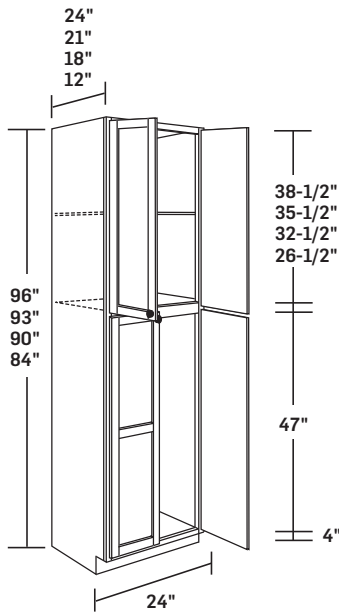
CFO
AD
FI
■ AW
■ MPE
■ FFE

### 15" WIDE UTILITY CABINETS

PPO1524x96 L or R  
**NEW** PPO1524x93 L or R  
 PPO1524x90 L or R  
 PPO1524 L or R (84" high)

### 18" WIDE UTILITY CABINETS

PPO1824x96 L or R  
**NEW** PPO1824x93 L or R  
 PPO1824x90 L or R  
 PPO1824 L or R (84" high)



UC2424x90 shown

### 96", 93", 90" or 84" HIGH x 24" WIDE BUTT DOOR UTILITY CABINETS

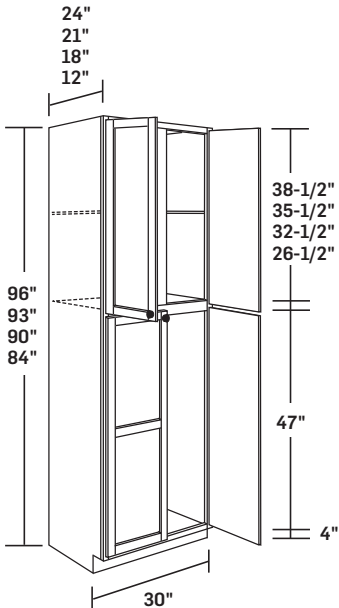
- Upper section of 96" and 93" high cabinets has two 5/8" thick adjustable shelves; upper section of 90" and 84" high cabinets has one 5/8" thick adjustable shelf
- Lower portion of utility cabinet shipped without shelves
- Order UCS\_\_\_\_\_ shelves separately for lower section (page 5.6)
- Opening height is 46-7/8" in lower section
- 3 hinges per door on lower section
- 3 hinges per door for upper section on 96" and 93" high cabinets
- 2 hinges per door for upper section on 90" and 84" high cabinets
- Toe kick shipped loose on 96" and 93" high cabinets
- Butt doors top and bottom
- Bottom doors come with two panels in most door styles. Bedford, Belleview, Lisburn, Marianna, Southampton and Sutton come with single panel bottom doors

CFO
AD
FI
■ AW
■ MPE
■ FFE

### 24" WIDE UTILITY CABINETS

UC2424x96 (24" depth)	UC2424x90 (24" depth)
UC2421x96 (21" depth)	UC2421x90 (21" depth)
UC2418x96 (18" depth)	UC2418x90 (18" depth)
UC2412x96 (12" depth)	UC2412x90 (12" depth)

<b>NEW</b> UC2424x93 (24" depth)	UC2424 (24" depth, 84" high)
<b>NEW</b> UC2421x93 (21" depth)	UC2421 (21" depth, 84" high)
<b>NEW</b> UC2418x93 (18" depth)	UC2418 (18" depth, 84" high)
<b>NEW</b> UC2412x93 (12" depth)	UC2412 (12" depth, 84" high)



UC3024x90 shown

### 96", 93", 90" or 84" HIGH x 30" WIDE BUTT DOOR UTILITY CABINETS

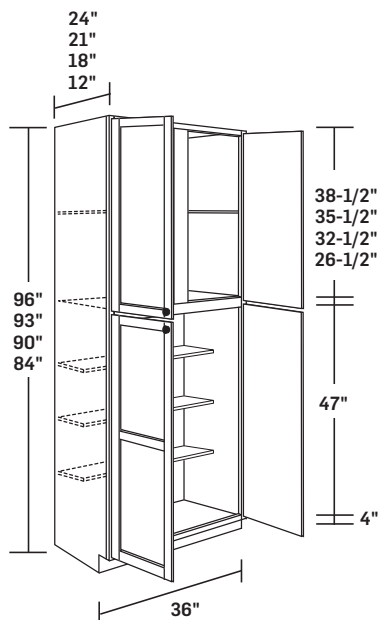
- Upper section of 96" and 93" high cabinets has two 5/8" thick adjustable shelves; upper section of 90" and 84" high cabinets has one 5/8" thick adjustable shelf
- Lower portion of utility cabinet shipped without shelves
- Order UCS\_\_\_\_\_ shelves separately for lower section (page 5.6)
- Opening height is 46-7/8" in lower section
- 3 hinges per door on lower section
- 3 hinges per door for upper section on 96" and 93" high cabinets
- 2 hinges per door for upper section on 90" and 84" high cabinets
- Toe kick shipped loose on 96" and 93" high cabinets
- Butt doors top and bottom; **30" wide cabinets have center stile in upper section**
- Bottom doors come with two panels in most door styles. Bedford, Belleview, Lisburn, Marianna, Southampton and Sutton come with single panel bottom doors

CFO
AD
FI
■ AW
■ MPE
■ FFE

### 30" WIDE UTILITY CABINETS

UC3024x96 (24" depth)	UC3024x90 (24" depth)
UC3021x96 (21" depth)	UC3021x90 (21" depth)
UC3018x96 (18" depth)	UC3018x90 (18" depth)
UC3012x96 (12" depth)	UC3012x90 (12" depth)

<b>NEW</b> UC3024x93 (24" depth)	UC3024 (24" depth, 84" high)
<b>NEW</b> UC3021x93 (21" depth)	UC3021 (21" depth, 84" high)
<b>NEW</b> UC3018x93 (18" depth)	UC3018 (18" depth, 84" high)
<b>NEW</b> UC3012x93 (12" depth)	UC3012 (12" depth, 84" high)



UC3624x90 shown

## 96", 93", 90" or 84" HIGH x 36" WIDE BUTT DOOR UTILITY CABINETS

- Upper section of 96" and 93" high cabinets has two 5/8" thick adjustable shelves; upper section of 90" and 84" high cabinets has one 5/8" thick adjustable shelf
- **Three 7" shelves come standard in the lower section of all 36" wide x 24" deep utility cabinets**
- Lower section of 12", 18" and 21" deep utility cabinets shipped without shelves. Order UCS\_ \_\_\_ shelves separately (page 5.6). Use of full depth shelves in lower section of UC36 \_\_\_ cabinets is not recommended
- Opening height is 46-7/8" in lower section
- 3 hinges per door on lower section
- 3 hinges per door for upper section on 96" and 93" high cabinets
- 2 hinges per door for upper section on 90" and 84" high cabinets
- Toe kick shipped loose on 96" and 93" high cabinets
- Butt doors top and bottom; **36" wide cabinets have center stile in upper section**
- Bottom doors come with two panels in most door styles. Bedford, Bellevue, Lisburn, Marianna, Southampton and Sutton come with single panel bottom doors

CFO
AD
FI
■ AW
■ MPE
■ FFE

### 36" WIDE UTILITY CABINETS

UC3624x96 (24" depth)

UC3621x96 (21" depth)

UC3618x96 (18" depth)

UC3612x96 (12" depth)

**NEW** UC3624x93 (24" depth)

**NEW** UC3621x93 (21" depth)

**NEW** UC3618x93 (18" depth)

**NEW** UC3612x93 (12" depth)

UC3624x90 (24" depth)

UC3621x90 (21" depth)

UC3618x90 (18" depth)

UC3612x90 (12" depth)

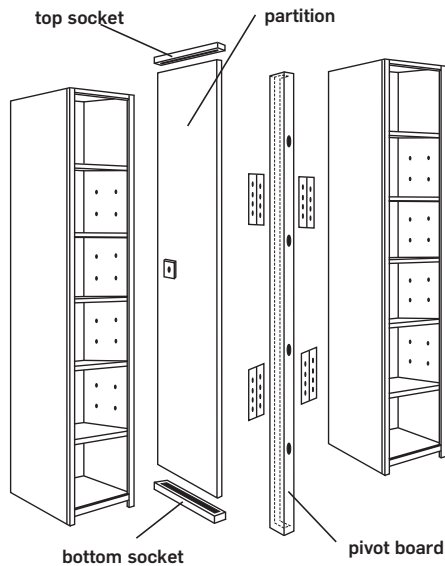
UC3624 (24" depth, 84" high)

UC3621 (21" depth, 84" high)

UC3618 (18" depth, 84" high)

UC3612 (12" depth, 84" high)

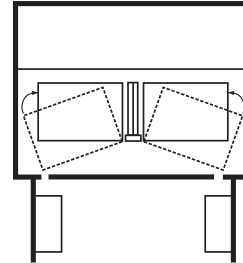




### PANTRY CABINET SWING-OUT SHELF KIT

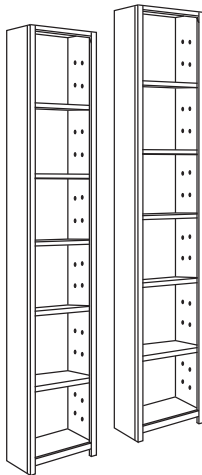
- Designed to install inside of 36" wide x 24" deep x 96", 90" or 84" high utility cabinet shown on page 5.4
- Set of two swing-out shelves
- Three adjustable shelves and two fixed shelves for each swing-out unit
- **Field installation required**

PCSK36



INSTALLED  
TOP VIEW

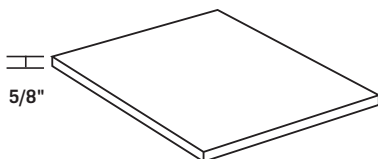
CFO
AD
FI
AW
MPE
FFE



### PANTRY CABINET DOOR SHELVES

- Set of two
- Five adjustable shelves for each door shelf
- Designed to install on backside of 36" wide x 24" deep x 96", 90" or 84" high utility cabinet shown on page 5.4
- **Field installation required**
- **PCDS36 door shelves not available for use with Cheswick, Rossiter and Salerno door styles**

PCDS36



### UTILITY CABINET SHELVES

- 5/8" thick adjustable shelves for lower portion of utility cabinets
- Each shelf shipped with 4 shelf clips
- Laminate composite panel for Premier construction, or birch plywood for AllWood and Pinnacle construction

CFO

AD

FI

■ AW

MPE

FFE

### SHELVES FOR 15" WIDE CABINETS

UCS1512 (13-5/16" wide x 10-7/8" deep)  
 UCS1518 (13-5/16" wide x 16-7/8" deep)  
 UCS1521 (13-5/16" wide x 19-7/8" deep)  
 UCS1524 (13-5/16" wide x 22-7/8" deep)

### SHELVES FOR 18" WIDE CABINETS

UCS1812 (16-5/16" wide x 10-7/8" deep)  
 UCS1818 (16-5/16" wide x 16-7/8" deep)  
 UCS1821 (16-5/16" wide x 19-7/8" deep)  
 UCS1824 (16-5/16" wide x 22-7/8" deep)

### SHELVES FOR 24" WIDE CABINETS

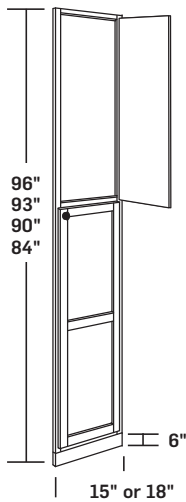
UCS2412 (22-5/16" wide x 10-7/8" deep)  
 UCS2418 (22-5/16" wide x 16-7/8" deep)  
 UCS2421 (22-5/16" wide x 19-7/8" deep)  
 UCS2424 (22-5/16" wide x 22-7/8" deep)

### SHELVES FOR 30" WIDE CABINETS

UCS3012 (28-5/16" wide x 10-7/8" deep)  
 UCS3018 (28-5/16" wide x 16-7/8" deep)  
 UCS3021 (28-5/16" wide x 19-7/8" deep)  
 UCS3024 (28-5/16" wide x 22-7/8" deep)

### SHELVES FOR 36" WIDE CABINETS

UCS3612 (34-5/16" wide x 10-7/8" deep)  
 UCS3618 (34-5/16" wide x 16-7/8" deep)  
 UCS3621 (34-5/16" wide x 19-7/8" deep)  
 UCS3624 (34-5/16" wide x 22-7/8" deep)



90" high R shown

### 96", 93", 90", or 84" HIGH x 15" or 18" WIDE SINGLE DOOR UTILITY CABINET FRONTS

- 3 hinges per door on lower section
- 3 hinges per door for upper section on 96" and 93" high cabinets, 2 hinges per door for upper section on 90" and 84" high cabinets
- Specify L or R door hinging
- Non-trimmable
- Single door top and bottom
- Bottom door comes with two panels in most door styles. Bedford, Belleview, Lisburn, Marianna, Southampton and Sutton come with single panel bottom doors

UCF15x96 L or R

**NEW** UCF15x93 L or R

UCF15x90 L or R

UCF15 L or R (84" high)

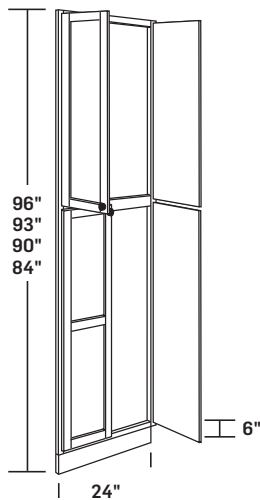
UCF18x96 L or R

**NEW** UCF18x93 L or R

UCF18x90 L or R

UCF18 L or R (84" high)

❖ CFO
AD
FI
AW
MPE
FFE



90" high shown

### 96", 93", 90", or 84" HIGH x 24" WIDE BUTT DOOR UTILITY CABINET FRONTS

- 3 hinges per door on lower section
- 3 hinges per door for upper section on 96" and 93" high cabinets, 2 hinges per door for upper section on 90" and 84" high cabinets
- Non-trimmable
- Butt doors top and bottom
- Bottom doors come with two panels in most door styles. Bedford, Belleview, Lisburn, Marianna, Southampton and Sutton come with single panel bottom doors

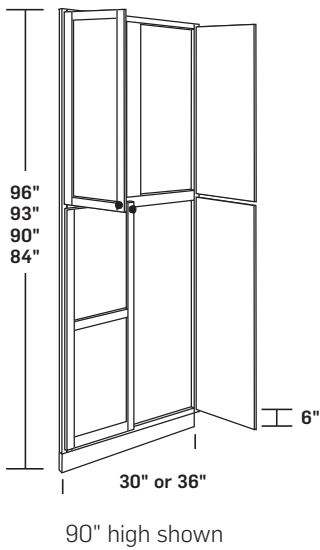
UCF24x96

**NEW** UCF24x93

UCF24x90

UCF24 (84" high)

❖ CFO
AD
FI
AW
MPE
FFE



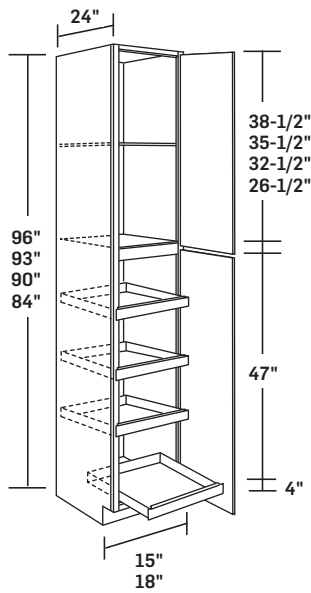
**96", 93", 90", or 84" HIGH x 30" or 36" WIDE  
BUTT DOOR UTILITY CABINET FRONTS**

- 3 hinges per door on lower section
- 3 hinges per door for upper section on 96" and 93" high cabinets, 2 hinges per door for upper section on 90" and 84" high cabinets
- Non-trimmable
- Butt doors top and bottom; **fronts come with center stile in upper section**
- Bottom doors come with two panels in most door styles. Bedford, Belleview, Lisburn, Marianna, Southampton and Sutton come with single panel bottom doors

❖ CFO
AD
FI
AW
MPE
FFE

UCF30x96  
**NEW** UCF30x93  
 UCF30x90  
 UCF30 (84" high)

UCF36x96  
**NEW** UCF36x93  
 UCF36x90  
 UCF36 (84" high)



90" high R shown

**96", 93", 90" or 84" HIGH x 24" DEEP SINGLE DOOR PANTRY CABINETS WITH SHELF TRAYS**

- Upper section of 96" and 93" high cabinets has two 5/8" thick adjustable shelves; upper section of 90" and 84" high cabinets has one 5/8" thick adjustable shelf
- Lower portion of utility cabinet shipped with 4 pull-out shelf trays
- Opening height is 46-7/8" in lower section
- 3 hinges per door on lower section
- 3 hinges per door for upper section on 96" and 93" high cabinets
- 2 hinges per door for upper section on 90" and 84" high cabinets
- Specify L or R door hinging
- Toe kick shipped loose on 96" and 93" high cabinets
- Single door top and bottom
- Bottom door comes with two panels in most door styles. Bedford, Belleview, Lisburn, Marianna, Southampton and Sutton come with single panel bottom doors

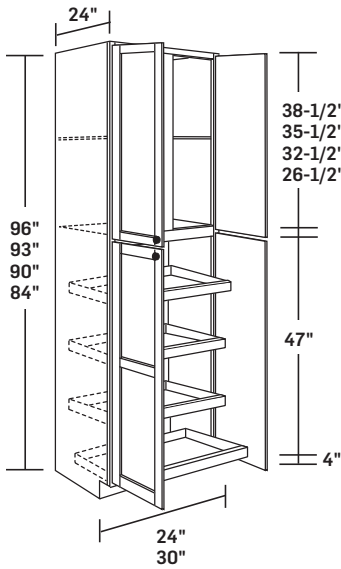
CFO
AD
FI
■ AW
■ MPE
■ FFE

**15" WIDE PANTRY CABINETS**

- PC1524x96 L or R
- NEW** PC1524x93 L or R
- PC1524x90 L or R
- PC1524 L or R (84" high)

**18" WIDE PANTRY CABINETS**

- PC1824x96 L or R
- NEW** PC1824x93 L or R
- PC1824x90 L or R
- PC1824 L or R (84" high)



90" high shown

**96", 93", 90" or 84" HIGH x 24" DEEP BUTT DOOR PANTRY CABINETS WITH SHELF TRAYS**

- Upper section of 96" and 93" high cabinets has two 5/8" thick adjustable shelves; upper section of 90" and 84" high cabinets has one 5/8" thick adjustable shelf
- Lower portion of utility cabinet shipped with 4 pull-out shelf trays
- Opening height is 46-7/8" in lower section
- 3 hinges per door on lower section
- 3 hinges per door for upper section on 96" and 93" high cabinets
- 2 hinges per door for upper section on 90" and 84" high cabinets
- Toe kick shipped loose on 96" and 93" high cabinets
- Butt door top and bottom; **30" wide pantry cabinets have center stile in upper section**
- Bottom doors come with two panels in most door styles. Bedford, Belleview, Lisburn, Marianna, Southampton and Sutton come with single panel bottom doors

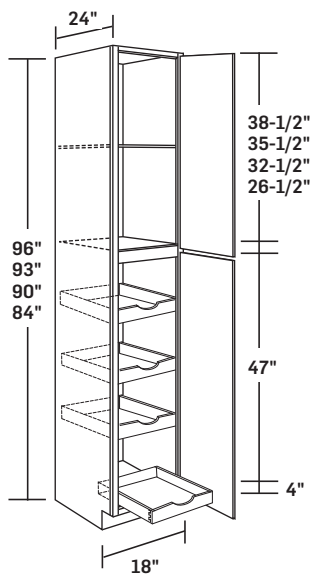
CFO
AD
FI
■ AW
■ MPE
■ FFE

**24" WIDE PANTRY CABINETS**

- PC2424x96
- NEW** PC2424x93
- PC2424x90
- PC2424 (84" high)

**30" WIDE PANTRY CABINETS**

- PC3024x96
- NEW** PC3024x93
- PC3024x90
- PC3024 (84" high)



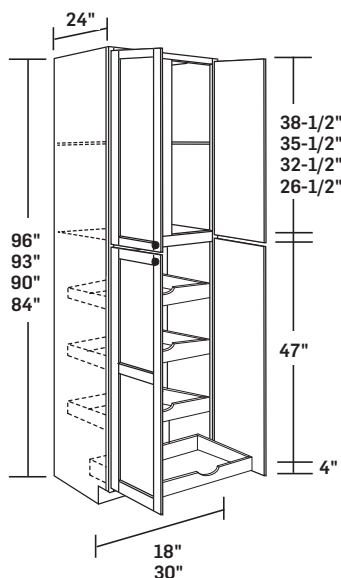
90" high R shown

**96", 93" 90" or 84" HIGH x 18" WIDE SINGLE DOOR PANTRY CABINETS WITH DELUXE SHELF TRAYS (24" DEEP)**

- Full extension soft-close on shelf trays
- Upper section of 96" and 93" high cabinets has two 5/8" thick adjustable shelves; upper section of 90" and 84" high cabinets has one 5/8" thick adjustable shelf
- Opening height is 46-7/8" in lower section
- Lower portion of utility cabinet shipped with 4 deluxe pull-out shelf trays
- Adjustable system allows for customized vertical tray spacing
- 3 hinges per door on lower section
- 3 hinges per door for upper section on 96" and 93" high cabinets
- 2 hinges per door for upper section on 90" and 84" high cabinets
- Specify L or R door hinging
- Toe kick shipped loose on 96" and 93" high cabinets
- Single door top and bottom
- Bottom door comes with two panels in most door styles. Bedford, Belleview, Lisburn, Marianna, Southampton and Sutton come with single panel bottom doors

CFO
AD
FI
■ AW
■ MPE
■ FFE

- PC1824DSTx96 L or R
- NEW** PC1824DSTx93 L or R
- PC1824DSTx90 L or R
- PC1824DST L or R (84" high)



90" high shown

**96", 93", 90" or 84" HIGH x 24" DEEP BUTT DOOR PANTRY CABINETS WITH DELUXE SHELF TRAYS**

- Full extension soft-close on shelf trays
- Upper section of 96" and 93" high cabinets has two 5/8" thick adjustable shelves; upper section of 90" and 84" high cabinets has one 5/8" thick adjustable shelf
- Opening height is 46-7/8" in lower section
- Lower portion of utility cabinet shipped with 4 deluxe pull-out shelf trays
- Adjustable system allows for customized vertical tray spacing
- 3 hinges per door on lower section
- 3 hinges per door for upper section on 96" and 93" high cabinets
- 2 hinges per door for upper section on 90" and 84" high cabinets
- Toe kick shipped loose on 96" and 93" high cabinets
- Butt door top and bottom; **30" wide pantry cabinets have center stile in upper section**
- Bottom doors come with two panels in most door styles. Bedford, Belleview, Lisburn, Marianna, Southampton and Sutton come with single panel bottom doors

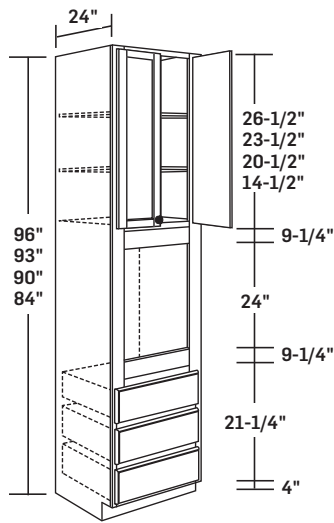
CFO
AD
FI
■ AW
■ MPE
■ FFE

**24" WIDE PANTRY CABINETS**

- PC2424DSTx96
- NEW** PC2424DSTx93
- PC2424DSTx90
- PC2424DST (84" high)

**30" WIDE PANTRY CABINETS**

- PC3024DSTx96
- NEW** PC3024DSTx93
- PC3024DSTx90
- PC3024DST (84" high)



OV27Dx96 shown

**96", 93", 90" or 84" HIGH x 24" DEEP  
DOOR AND DRAWER OVEN CABINETS**

- OV\_D cabinets have three standard-depth drawers on bottom
- OV\_S cabinets have a single standard-depth drawer on bottom
- Trimmable drawers for larger ovens
- Upper portion of cabinet has two 5/8" thick adjustable shelves
- Toe Kick shipped loose on 96" and 93" high cabinets
- **NOTE: See oven cut-out dimensions on page 5.14**

CFO
AD
FI
■ AW
■ MPE
■ FFE

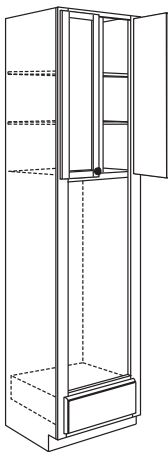
**TRIPLE DRAWER  
OVEN CABINETS**

- OV27Dx96
- OV30Dx96
- OV33Dx96

- NEW** OV27Dx93
- NEW** OV30Dx93
- NEW** OV33Dx93

- OV27Dx90
- OV30Dx90
- OV33Dx90

- OV27D (84" high)
- OV30D (84" high)
- OV33D (84" high)



OV27Sx96 shown

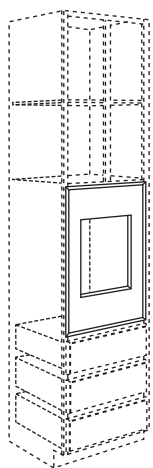
**SINGLE DRAWER  
OVEN CABINETS**

- OV27Sx96
- OV30Sx96
- OV33Sx96

- NEW** OV27Sx93
- NEW** OV30Sx93
- NEW** OV33Sx93

- OV27Sx90
- OV30Sx90
- OV33Sx90

- OV27S (84" high)
- OV30S (84" high)
- OV33S (84" high)



### OVEN CABINET OVERLAY

- Overlay shipped loose for field installation on oven cabinets and must be ordered separately
- Sutton overlay panels are solid
- Edge profile matches drawers
- **Available in Ardmore (cherry), Carlisle, Edinburgh, Langdon, Rossiter, Southampton, Sutton and Trevino only**

CFO
AD
FI
AW
MPE
FFE

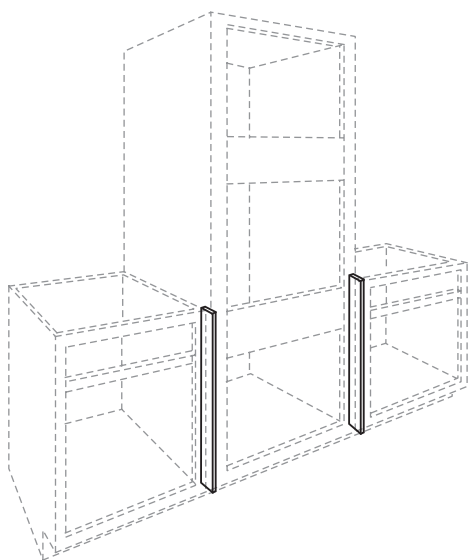
OLAY27D  
OLAY30D  
OLAY33D

OLAY27S  
OLAY30S  
OLAY33S

### OVEN CABINET OVERLAY MEASUREMENTS

OVEN CABINET	OVERLAY	FULL OVERLAY (1/4" REVEAL)			
		OUTSIDE DIMENSIONS		CENTER OPENINGS	
		WIDTH	HEIGHT	WIDTH	HEIGHT
OV27S	OLAY27S	26-1/2"	54"	20-1/2"	34"
OV30S	OLAY30S	29-1/2"	54"	23-1/2"	34"
OV33S	OLAY33S	32-1/2"	54"	26-1/2"	34"
OV27D	OLAY27D	26-1/2"	39"	20-1/2"	19"
OV30D	OLAY30D	29-1/2"	39"	23-1/2"	19"
OV33D	OLAY33D	32-1/2"	39"	26-1/2"	19"

THERMOFOIL OVERLAYS SHIPPED WITHOUT CENTER CUT-OUT



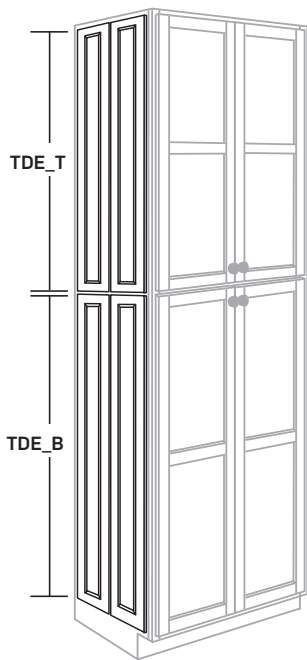
### HEAT SHIELD KIT

- Field installation accessory
- Recommended for use as a heat shield for all white thermofoil door styles
- Protects doors and drawer fronts from adjacent heat source (built in ovens, under counter ovens, drop-in or free-standing ranges)
- Kit contents: (2) white 1/16" thick x 1-9/16" x 30-1/2" metal heat shields
- Oven overlays must be used to prevent heat exposure to upper oven doors

CFO
AD
FI
AW
MPE
FFE

HSK





24" deep TDE application shown

### TALL CABINET DECORATIVE ENDS

- TDE\_T has two cabinet doors used as decorative end panels on the upper section of tall cabinets
- TDE\_B has two cabinet doors used as decorative end panels on the lower section of tall cabinets
- 24" wide TDEs are designed for use with 24" deep UC, PC, and REP SKUs; 30" wide TDEs are designed for use with 30" deep REP SKUs
- Order both TDE\_T and TDE\_B to create a complete tall cabinet decorative end design
- Shipped loose for field installation

CFO
AD
FI
AW
MPE
FFE

#### UPPERS

##### 30" WIDE

- TDE3096T
- NEW** TDE3093T
- TDE3090T
- TDE3084T

##### 24" WIDE

- TDE2496T
- NEW** TDE2493T
- TDE2490T
- TDE2484T

#### LOWERS

##### 30" WIDE

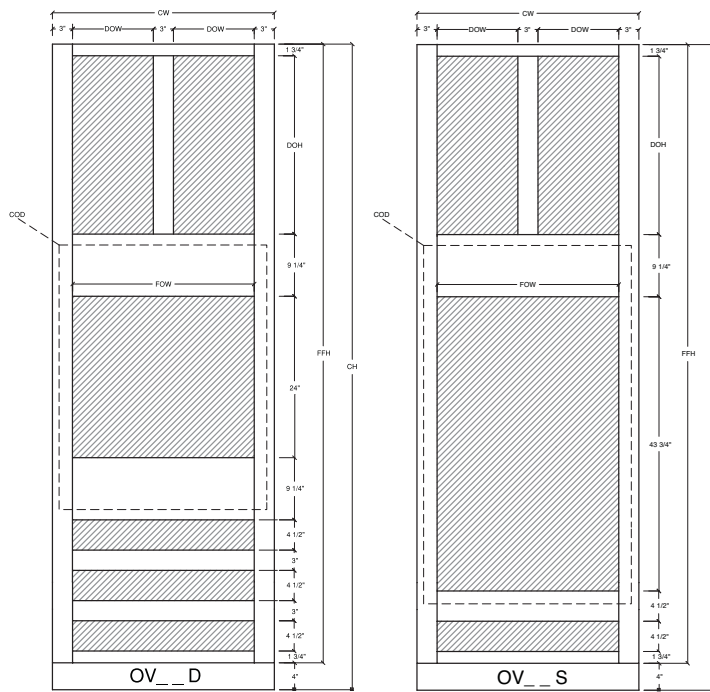
- TDE30B

##### 24" WIDE

- TDE24B

DECORATIVE ENDS	DOOR SIZES	
	STANDARD REVEAL	FULL OVERLAY
TDE2484T	(2) 10-31/32" x 27-5/8"	(2) 11-23/32" x 29"
TDE2490T	(2) 10-31/32" x 33-5/8"	(2) 11-23/32" x 35"
<b>TDE2493T</b>	<b>(2) 10-31/32" x 36-5/8"</b>	<b>(2) 11-23/32" x 38"</b>
TDE2496T	(2) 10-31/32" x 39-5/8"	(2) 11-23/32" x 41"
TDE3084T	(2) 13-31/32" x 27-5/8"	(2) 14-23/32" x 29"
TDE3090T	(2) 13-31/32" x 33-5/8"	(2) 14-23/32" x 35"
<b>TDE3093T</b>	<b>(2) 13-31/32" x 36-5/8"</b>	<b>(2) 14-23/32" x 38"</b>
TDE3096T	(2) 13-31/32" x 39-5/8"	(2) 14-23/32" x 41"
TDE24B	(2) 10-31/32" x 47-7/8"	(2) 11-23/32" x 49-1/2"
TDE30B	(2) 13-31/32" x 47-7/8"	(2) 14-23/32" x 49-1/2"

## OVEN CUT-OUT INSTRUCTIONS



### OVEN CABINET LEGEND

ID	DESCRIPTION	ID	DESCRIPTION
<b>CW</b>	Cabinet Width	<b>DOW</b>	Door Opening Width
<b>CH</b>	Cabinet Height	<b>DOH</b>	Door Opening Height
<b>FFH</b>	Front Frame Height	<b>FOW</b>	Factory Opening Width
		<b>FOH</b>	Factory Opening Height
<b>COD-W</b>	Max. Cut-Out Dimension – Width	<b>COD-H*</b>	Max. Cut-Out Dimension – Height

### OVEN CABINET CUT-OUTS AND DIMENSIONS

PRODUCT ID	CW	CH	FFH	DOW	DOH	FOW	FOH	COD-W	COD-H
OV27D	27"	84"	80"	9"	14-1/2"	21"	24"	25"	37" *
OV27DX90	27"	90"	86"	9"	20-1/2"	21"	24"	25"	37" *
<b>OV27DX93</b>	<b>27"</b>	<b>93"</b>	<b>89"</b>	<b>9"</b>	<b>23-1/2"</b>	<b>21"</b>	<b>24"</b>	<b>25"</b>	<b>37" *</b>
OV27DX96	27"	96"	92"	9"	26-1/2"	21"	24"	25"	37" *
OV27S	27"	84"	80"	9"	14-1/2"	21"	43-3/4"	25"	52"
OV27SX90	27"	90"	86"	9"	20-1/2"	21"	43-3/4"	25"	52"
<b>OV27SX93</b>	<b>27"</b>	<b>93"</b>	<b>89"</b>	<b>9"</b>	<b>23-1/2"</b>	<b>21"</b>	<b>43-3/4"</b>	<b>25"</b>	<b>52"</b>
OV27SX96	27"	96"	92"	9"	26-1/2"	21"	43-3/4"	25"	52"
OV30D	30"	84"	80"	10-1/2"	14-1/2"	24"	24"	28"	37" *
OV30DX90	30"	90"	86"	10-1/2"	20-1/2"	24"	24"	28"	37" *
<b>OV30DX93</b>	<b>30"</b>	<b>93"</b>	<b>89"</b>	<b>10-1/2"</b>	<b>23-1/2"</b>	<b>24"</b>	<b>24"</b>	<b>28"</b>	<b>37" *</b>
OV30DX96	30"	96"	92"	10-1/2"	26-1/2"	24"	24"	28"	37" *
OV30S	30"	84"	80"	10-1/2"	14-1/2"	24"	43-3/4"	28"	52"
OV30SX90	30"	90"	86"	10-1/2"	20-1/2"	24"	43-3/4"	28"	52"
<b>OV30SX93</b>	<b>30"</b>	<b>93"</b>	<b>89"</b>	<b>10-1/2"</b>	<b>23-1/2"</b>	<b>24"</b>	<b>43-3/4"</b>	<b>28"</b>	<b>52"</b>
OV30SX96	30"	96"	92"	10-1/2"	26-1/2"	24"	43-3/4"	28"	52"
OV33D	33"	84"	80"	12"	14-1/2"	27"	24"	31"	37" *
OV33DX90	33"	90"	86"	12"	20-1/2"	27"	24"	31"	37" *
<b>OV33DX93</b>	<b>33"</b>	<b>93"</b>	<b>89"</b>	<b>12"</b>	<b>23-1/2"</b>	<b>27"</b>	<b>24"</b>	<b>31"</b>	<b>37" *</b>
OV33DX96	33"	96"	92"	12"	26-1/2"	27"	24"	31"	37" *
OV33S	33"	84"	80"	12"	14-1/2"	27"	43-3/4"	31"	52"
OV33SX90	33"	90"	86"	12"	20-1/2"	27"	43-3/4"	31"	52"
<b>OV33SX93</b>	<b>33"</b>	<b>93"</b>	<b>89"</b>	<b>12"</b>	<b>23-1/2"</b>	<b>27"</b>	<b>43-3/4"</b>	<b>31"</b>	<b>52"</b>
OV33SX96	33"	96"	92"	12"	26-1/2"	27"	43-3/4"	31"	52"

\* Removing a drawer will gain 7-1/2" in height at the bottom of the oven cut-out

## TALL CABINET FRONT FRAME INSTRUCTIONS & DOOR CALCULATOR

### TALL CABINET FRONT FRAME LEGEND & OPENING FORMULAS

ID	DESCRIPTION	CABINET TYPE	OPENING FORMULA
<b>CW</b>	Cabinet Width	All	Width From Cabinet ID
<b>CH</b>	Cabinet Height	All	Height From Cabinet ID
<b>FFH</b>	Front Frame Height	All	CH minus Toe Kick
<b>DOW</b>	Door (Drawer) Opening Width	Single Door	$CW - 3" = DOW$
	Door (Drawer) Opening Width	Double Butt Door	$CW - 3" = DOW$ (For 2 Doors)
	Door (Drawer) Opening Width	Double Door w/Post	$(CW - 6") \div 2 = DOW$ (No Ovens)
	Oven Door (Drawer) Opening Width	Double Door w/Post	$(CW - 9") \div 2 = DOW$
<b>DOH</b>	Door Opening Height	Door and Drawer Base	See Drawers

### TALL CABINET DOOR DIMENSIONS CALCULATOR – WIDTH

DOOR TYPE	DESCRIPTION OF DOOR TYPE	CABINET TYPE	DOOR DIMENSION FORMULA
<b>FODW</b>	Full Overlay Door Width (1/4" Reveal)	1 and 2 Door Cabinets	$DOW + 2-1/2" = FODW$
		Butt Door Cabinets	$(DOW + 2-7/16") \div 2 = FODW$
		Oven Cabinets	$DOW + 4" = FODW$
<b>SODW</b>	Standard Overlay Door Width	1	$DOW + 1" = SODW$
		2 (Butt Doors)	$(DOW + 15/16") \div 2 = SODW$
		Oven Cabinets	$DOW + 2-1/2" = SODW$

DECIMAL EQUIVALENT CHART LOCATED ON PAGE 2.5

### TALL CABINET DOOR DIMENSIONS CALCULATOR – HEIGHT

DOOR TYPE	DESCRIPTION OF DOOR TYPE	CABINET TYPE	DOOR DIMENSION FORMULA
<b>FODH</b>	Full Overlay Door Height (1/4" Reveal)	Standard Tall Uppers	$DOH + 2-1/4" = FODH$
		Full Height Door	$DOH + 2-1/2" = FODH$
<b>SODH</b>	Standard Overlay Door Height	Standard Drawer & Door	$DOH + 7/8" = SODH$
		Full Height Door	$DOH + 1" = SODH$

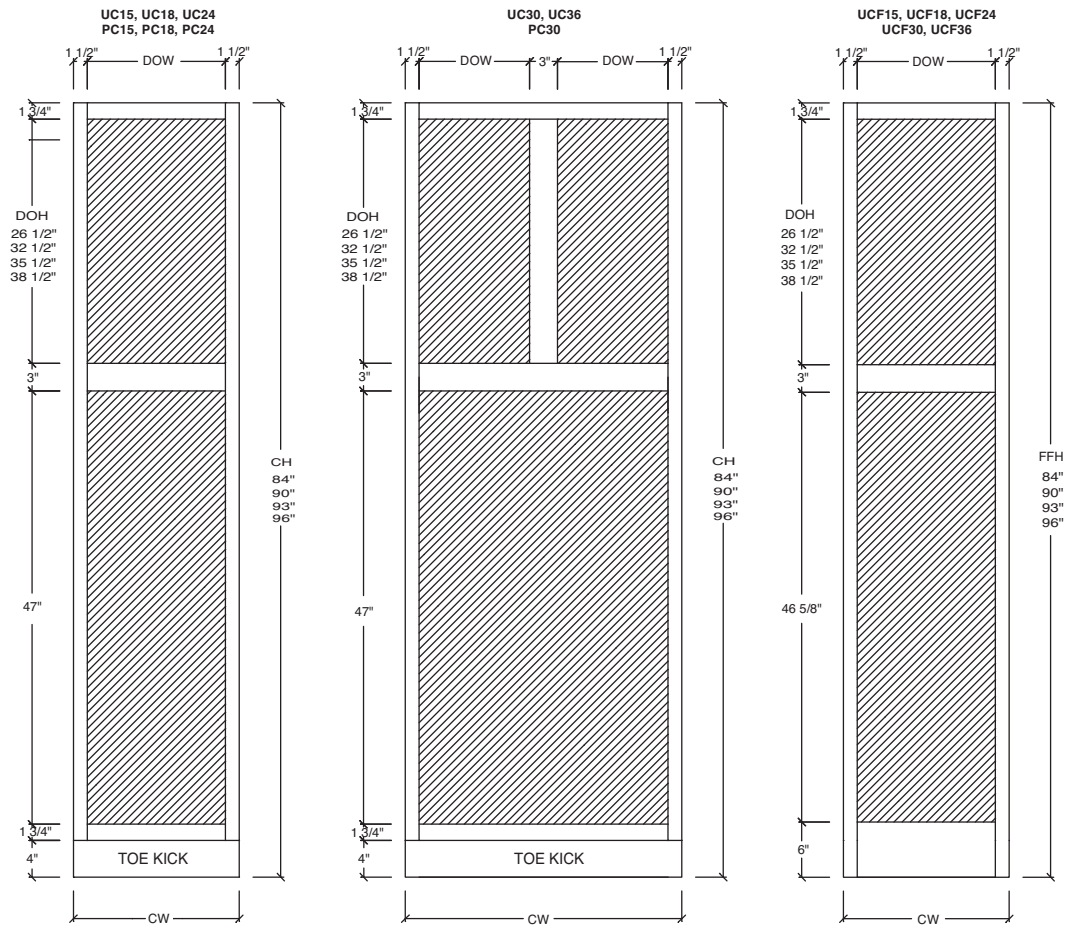
### DOOR SIZE EXCEPTIONS

CABINET TYPE	DESCRIPTION OF CABINET	FOD	SOD
<b>UC</b>	Utility Cabinets	49-1/2" H	47-7/8" H
<b>PC</b>	Pantry Cabinets		

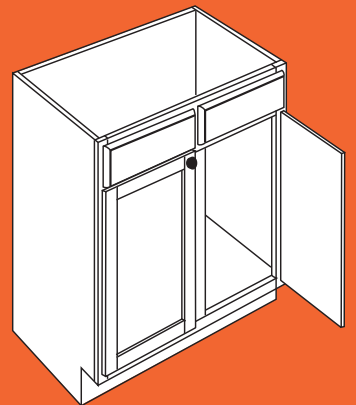
### DOOR STYLE DESCRIPTION & IDENTIFICATION

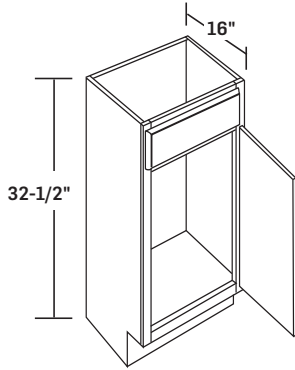
ID	DESCRIPTION	IDENTIFICATION
<b>FOD</b>	Full Overlay Door (1/4" Reveal) Langdon,	Addison, Ardmore, Bedford, Belleview, Carlisle, Edinburgh, Freeman, Lisburn, Marianna, Manor, Rossiter, Southampton, Sutton, Trevino, and Weston
<b>SOD</b>	Standard Overlay Door	Brisbin, Benton, Cheswick, Hargrove, Herndon, Norwich, Salerno, and Touraine

### TALL CABINET FRONT FRAMES



# VANITY CABINETS



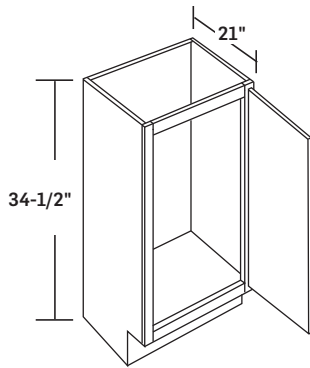


**16" DEEP SINGLE DOOR VANITY SINK CABINET**

- Two hinges per door
- Specify L or R door hinging
- One false drawer front on top

VSS18 L or R

AD
FI
■ AW
■ MPE
■ FFE



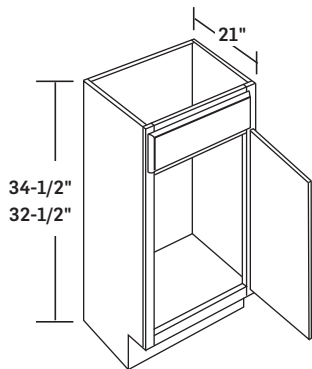
**21" DEEP SINGLE DOOR FULL HEIGHT VANITY SINK CABINETS**

- Two hinges per door
- Specify L or R door hinging
- Not available in standard 32-1/2" height

**34-1/2" HIGH CABINETS**

V18HFH L or R  
V21HFH L or R

■ AD
FI
■ AW
■ MPE
■ FFE



**21" DEEP SINGLE DOOR VANITY SINK CABINETS**

- Two hinges per door
- Specify L or R door hinging
- One false drawer front on top

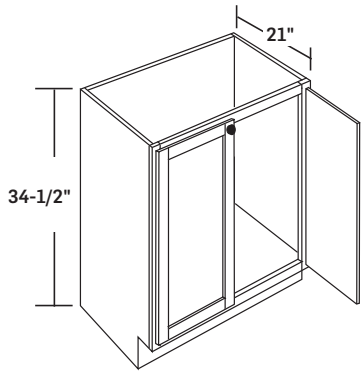
**32-1/2" HIGH CABINETS**

V18 L or R  
V21 L or R

**34-1/2" HIGH CABINETS**

V18H L or R  
V21H L or R

■ AD
FI
■ AW
■ MPE
■ FFE



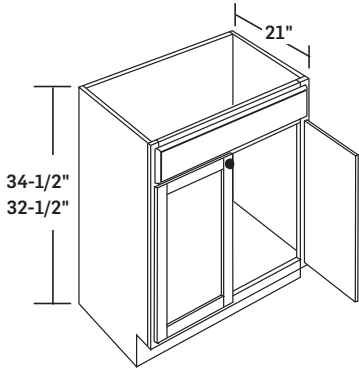
**21" DEEP BUTT DOOR FULL HEIGHT VANITY SINK CABINETS**

- Two hinges per door
- Not available in standard 32-1/2" height

**34-1/2" HIGH CABINETS**

V24BDHFH  
V30BDHFH  
V36BDHFH

■ AD
FI
■ AW
■ MPE
■ FFE



**21" DEEP BUTT DOOR VANITY SINK CABINETS**

- Two hinges per door
- One false drawer front on top

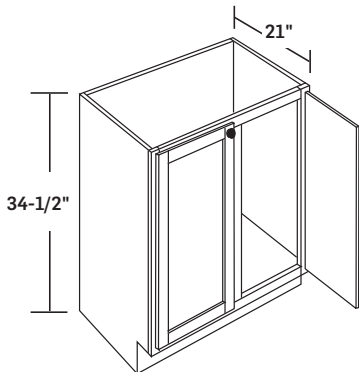
**32-1/2" HIGH CABINETS**

V24BD

**34-1/2" HIGH CABINETS**

V24BDH  
V27BDH  
V30BDH  
V33BDH  
V36BDH

■ AD
FI
■ AW
■ MPE
■ FFE



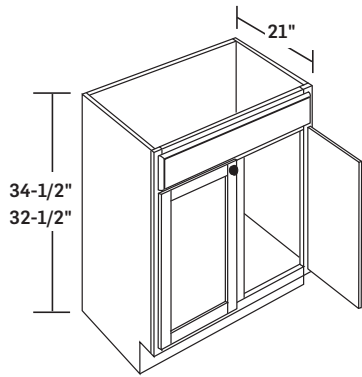
**21" DEEP DOUBLE DOOR FULL HEIGHT VANITY SINK CABINETS**

- Two hinges per door
- Not available in standard 32-1/2" height

**34-1/2" HIGH CABINETS**

V24HFH  
V30HFH  
V36HFH  
V42HFH

■ AD
FI
■ AW
■ MPE
■ FFE



**21" DEEP DOUBLE DOOR VANITY SINK CABINETS**

- Two hinges per door
- 24"-36" wide cabinets have one false drawer front on top
- 39"-45" wide cabinets have two false drawer fronts on top

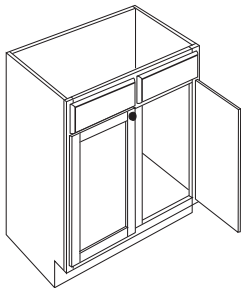
■	AD
	FI
■	AW
■	MPE
■	FFE

**32-1/2" HIGH CABINETS**

- V24
- V27
- V30
- V33
- V36
- V39
- V42
- V45

**34-1/2" HIGH CABINETS**

- V24H
- V27H
- V30H
- V33H
- V36H
- V39H
- V42H
- V45H



2 false drawer front cabinet shown

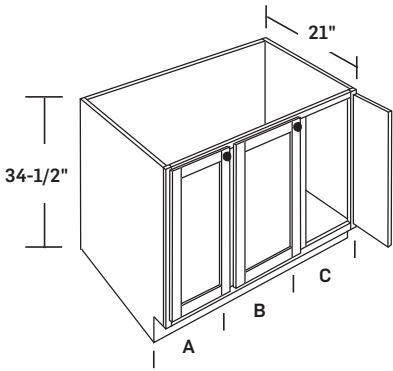


**21" DEEP THREE DOOR FULL HEIGHT VANITY SINK CABINETS**

- Two hinges per door
- Not available in standard 32-1/2" height

	A	B	C
V48HFH	15"	18"	15"
V54HFH	18"	18"	18"

■ AD
FI
■ AW
■ MPE
■ FFE



**34-1/2" HIGH CABINETS**

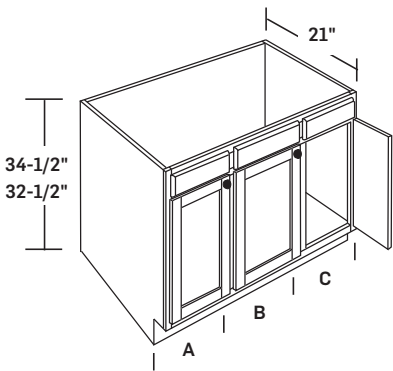
V48HFH  
V54HFH

**21" DEEP THREE DOOR VANITY SINK CABINETS**

- Two hinges per door
- Three false drawer fronts on top

	A	B	C
V48 / V48H	15"	18"	15"
V54 / V54H	18"	18"	18"

■ AD
FI
■ AW
■ MPE
■ FFE

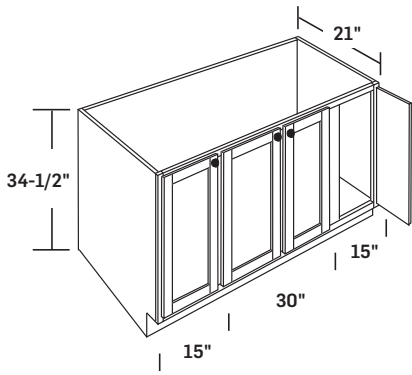


**32-1/2" HIGH CABINETS**

V48  
V54

**34-1/2" HIGH CABINETS**

V48H  
V54H



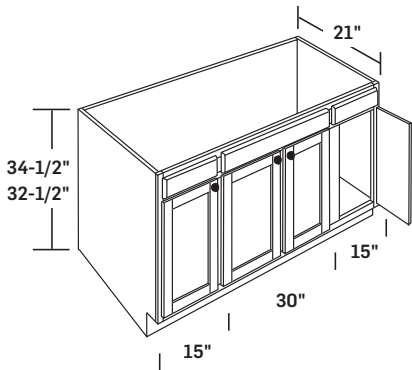
**21" DEEP FOUR DOOR FULL HEIGHT VANITY SINK CABINETS**

- Two hinges per door
- Not available in standard 32-1/2" height

**34-1/2" HIGH CABINETS**

V60HFH

■	AD
	FI
■	AW
■	MPE
■	FFE



**21" DEEP FOUR DOOR VANITY SINK CABINETS**

- Two hinges per door
- Three false drawer fronts on top

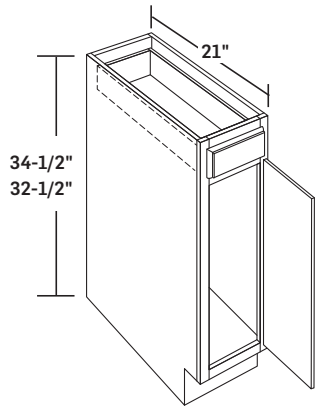
**32-1/2" HIGH CABINETS**

V60

**34-1/2" HIGH CABINETS**

V60H

■	AD
	FI
■	AW
■	MPE
■	FFE



**21" DEEP SINGLE DOOR AND DRAWER  
VANITY BASE CABINETS**

- Two hinges per door
- Specify L or R door hinging
- **Carlisle has two butt doors on VB24 and VB24H**
- One standard-depth drawer

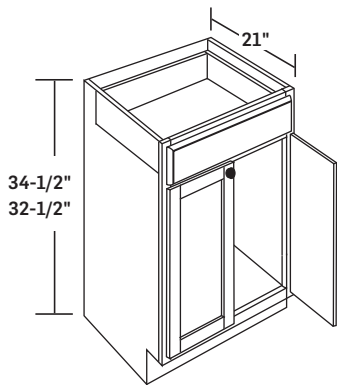
■ AD
FI
■ AW
■ MPE
■ FFE

**32-1/2" HIGH CABINETS**

- VB12 L or R
- VB15 L or R
- VB18 L or R
- VB21 L or R
- VB24 L or R

**34-1/2" HIGH CABINETS**

- VB12H L or R
- VB15H L or R
- VB18H L or R
- VB21H L or R
- VB24H L or R



**21" DEEP BUTT DOOR AND WIDE DRAWER  
VANITY BASE CABINET**

- Two hinges per door
- One standard-depth drawer

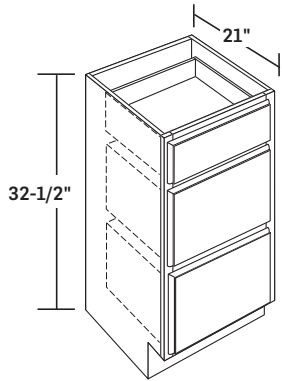
■ AD
FI
■ AW
■ MPE
■ FFE

**32-1/2" HIGH CABINETS**

- VB24BD

**34-1/2" HIGH CABINETS**

- VB24BDH



3 drawer cabinet shown

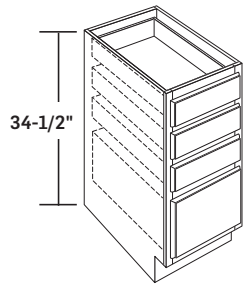
**21" DEEP VANITY DRAWER BASE CABINETS**

- 32-1/2" high cabinets have one standard-depth drawer on top and two deep drawers on bottom
- 34-1/2" high cabinets have three standard-depth drawers on top and one deep drawer on bottom

■	AD
	FI
■	AW
■	MPE
■	FFE

**32-1/2" HIGH THREE DRAWER CABINETS**

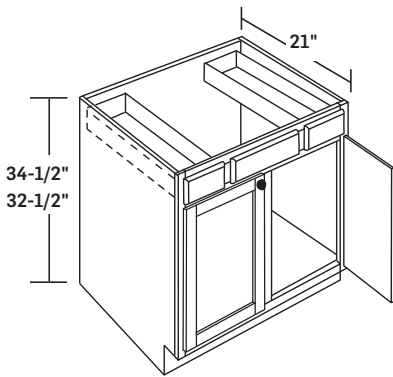
- VDB12
- VDB15
- VDB18
- VDB21
- VDB24



4 drawer cabinet shown

**34-1/2" HIGH FOUR DRAWER CABINETS**

- VDB12H
- VDB15H
- VDB18H
- VDB21H
- VDB24H



**21" DEEP DOUBLE DOOR VANITY DRAWER SINK BASE CABINETS**

- Two hinges per door
- **NOTE: On VB36 and VB36H cabinets, the drawer fronts will always be narrow profile, slab drawer fronts, regardless of style ordered**
- Not available with glaze detailing
- Two standard-depth drawers one each side with one false drawer front center

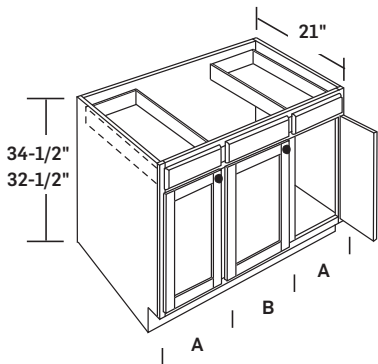
■ AD
FI
■ AW
■ MPE
■ FFE

**32-1/2" HIGH CABINETS**

VB36  
VB42

**34-1/2" HIGH CABINETS**

VB36H  
VB42H



**21" DEEP THREE DOOR VANITY DRAWER SINK BASE CABINETS**

- Two hinges per door
- Two standard-depth drawers one each side with one false drawer front center
- **NOTE: Hinging is available as L, L, and R only**

■ AD
FI
■ AW
■ MPE
■ FFE

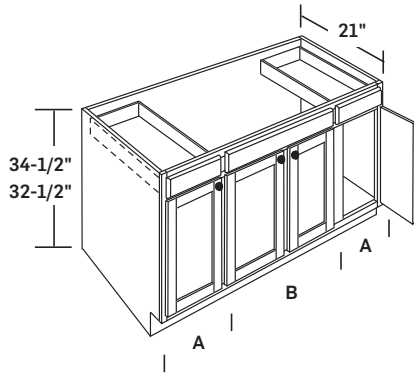
	A	B
VB48 / VB48H	15"	18"
VB54 / VB54H	18"	18"

**32-1/2" HIGH CABINETS**

VB48  
VB54

**34-1/2" HIGH CABINETS**

VB48H  
VB54H



**21" DEEP FOUR DOOR VANITY DRAWER SINK BASE CABINETS**

- Two hinges per door
- Two standard-depth drawers one each side with one false drawer front center

■ AD
FI
■ AW
■ MPE
■ FFE

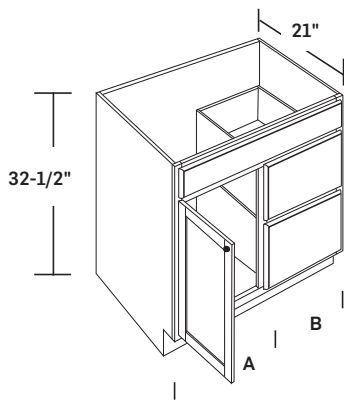
	A	B
VB60 / VB60H	15"	30"

**32-1/2" HIGH CABINETS**

VB60

**34-1/2" HIGH CABINETS**

VB60H



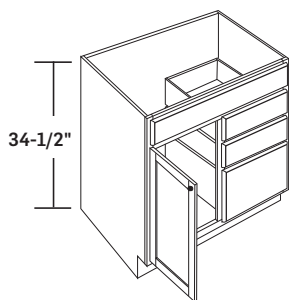
VD36 R shown

**21" DEEP SINGLE DOOR VANITY DRAWER SINK BASE CABINETS**

- Two hinges per door
- 30"-36" wide cabinets have one false drawer front on top  
42" wide cabinets have two false drawer fronts on top
- Specify L or R door hinging and working drawers on bottom
- 32-1/2" high cabinets come with two deep drawers,  
34-1/2" high cabinets come with two standard-depth drawers  
and one deep drawer on bottom

■ AD
FI
■ AW
■ MPE
■ FFE

	A	B
VD30 / VD30H	15"	15"
VD36 / VD36H	18"	18"
VD42 / VD42H	21"	21"



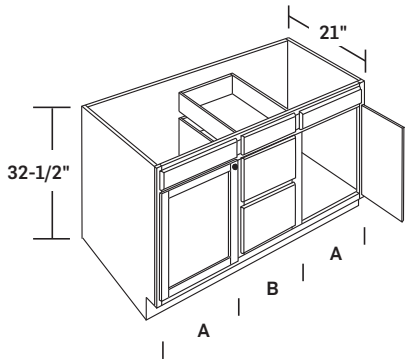
VD36H R shown

**32-1/2" HIGH TWO DRAWER CABINETS**

VD30 L or R  
VD36 L or R  
VD42 L or R

**34-1/2" HIGH THREE DRAWER CABINETS**

VD30H L or R  
VD36H L or R  
VD42H L or R



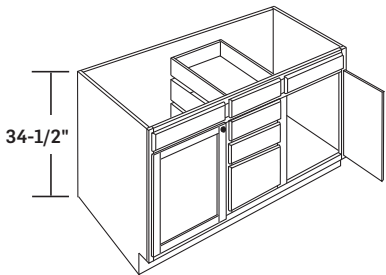
VDB60 shown

**21" DEEP COMBO VANITY  
DOUBLE SINK BASE CABINETS**

- Two hinges per door
- **Carlisle has two butt doors on VDB60 and VDB60H**
- Two false drawer fronts on either side and drawer bank in center
- 32-1/2" high cabinets come with one standard-depth drawer on top and two deep drawers on bottom
- 34-1/2" high cabinets come with three standard-depth drawers on top and one deep drawer on bottom

■ AD
FI
■ AW
■ MPE
■ FFE

	A	B
VDB54 / VDB54H	21"	12"
VDB60 / VDB60H	24"	12"



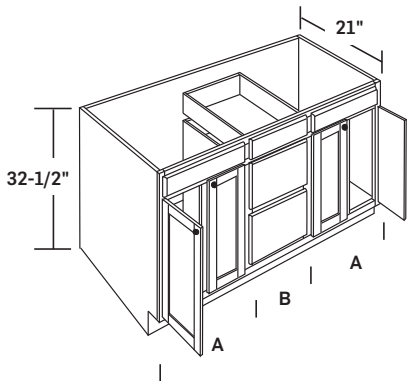
VDB60H shown

**32-1/2" HIGH THREE  
DRAWER CABINETS**

VDB54  
VDB60

**34-1/2" HIGH FOUR  
DRAWER CABINETS**

VDB54H  
VDB60H



VDB72 shown

**21" DEEP FOUR DOOR COMBO VANITY  
DOUBLE SINK BASE CABINETS**

- Two hinges per door
- **Front has center stiles in A cabinet sections**
- Two false drawer fronts on either side and drawer bank in center
- 32-1/2" high cabinets come with one standard-depth drawer on top and two deep drawers on bottom
- 34-1/2" high cabinets come with three standard-depth drawers on top and one deep drawer on bottom

■ AD
FI
■ AW
■ MPE
■ FFE

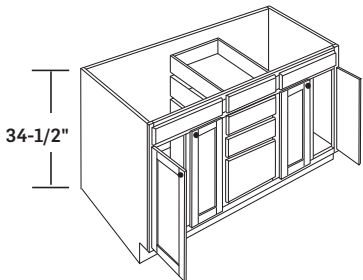
	A	B
VDB66 / VDB66H	27"	12"
VDB72 / VDB72H	30"	12"

**32-1/2" HIGH THREE  
DRAWER CABINETS**

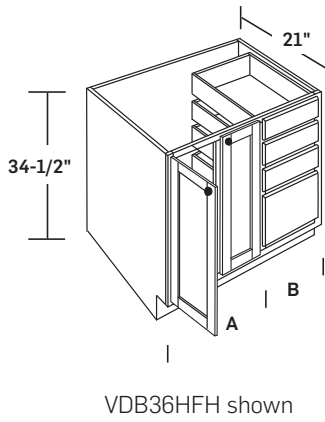
VDB66  
VDB72

**34-1/2" HIGH FOUR  
DRAWER CABINETS**

VDB66H  
VDB72H



VDB72H shown



**21" DEEP DOUBLE DOOR FULL HEIGHT VANITY DRAWER SINK BASE CABINETS**

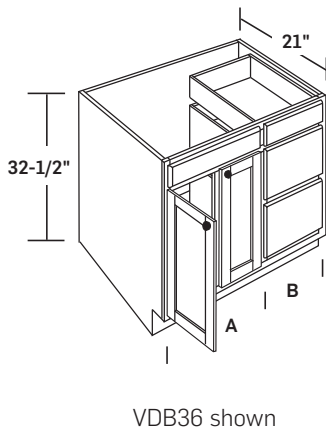
- Two hinges per door
- Specify L or R for working drawers
- Not available in standard 32-1/2" height
- Cabinet has three standard-depth drawers on top and one deep drawer on bottom

■ AD
FI
■ AW
■ MPE
■ FFE

	A	B
VDB36HFH	24"	12"
VDB42HFH	30"	12"
VDB48HFH	36"	12"

**34-1/2" HIGH FOUR DRAWER CABINETS**

- VDB36HFH L or R
- VDB42HFH L or R
- VDB48HFH L or R

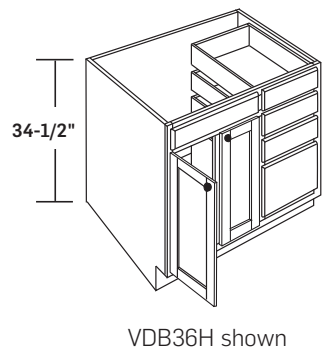


**21" DEEP DOUBLE DOOR VANITY DRAWER SINK BASE CABINETS**

- Two hinges per door
- Specify L or R for working drawers
- 36"-48" wide cabinets have one false drawer front on top
- 54" wide cabinets have two false drawer fronts on top
- 32-1/2" high cabinets have one standard-depth drawer on top and two deep drawers on bottom
- 34-1/2" high cabinets have three standard-depth drawers on top and one deep drawer on bottom

■ AD
FI
■ AW
■ MPE
■ FFE

	A	B
VDB36 / VDB36H	24"	12"
VDB42 / VDB42H	30"	12"
VDB48 / VDB48H	36"	12"
VDB54 / VDB54H	42"	12"



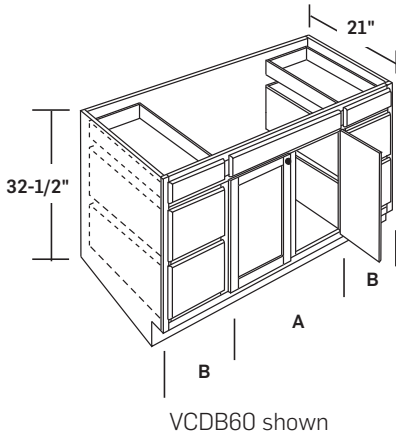
**32-1/2" HIGH THREE DRAWER CABINETS**

- VDB36 L or R
- VDB42 L or R
- VDB48 L or R
- VDB54 L or R

**34-1/2" HIGH FOUR DRAWER CABINETS**

- VDB36H L or R
- VDB42H L or R
- VDB48H L or R
- VDB54H L or R

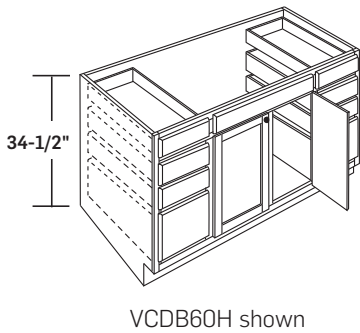




**21" DEEP DOUBLE DOOR COMBO  
VANITY SINK BASE CABINETS**

- Two hinges per door
- 48" and 54" cabinets have two sets of 12" drawer banks
- 60" cabinet has two sets of 15" drawer banks
- One false drawer front center and drawer banks on each side
- 32-1/2" high cabinets have one standard-depth drawer on top and two deep drawers on bottom of each drawer bank
- 34-1/2" high cabinets have three standard-depth drawers on top and one deep drawer on bottom of each drawer bank

■ AD
FI
■ AW
■ MPE
■ FFE



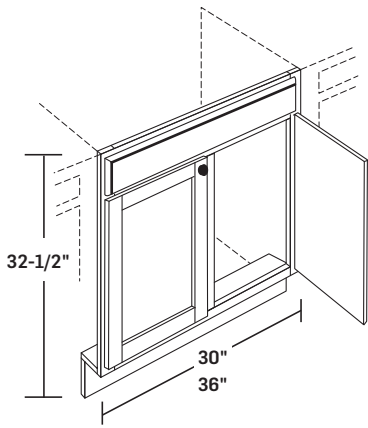
	A	B
VCDB48 / VCDB48H	24"	12"
VCDB54 / VCDB54H	30"	12"
VCDB60 / VCDB60H	30"	15"

**32-1/2" HIGH SIX  
DRAWER CABINETS**

- VCDB48
- VCDB54
- VCDB60

**34-1/2" HIGH EIGHT  
DRAWER CABINETS**

- VCDB48H
- VCDB54H
- VCDB60H

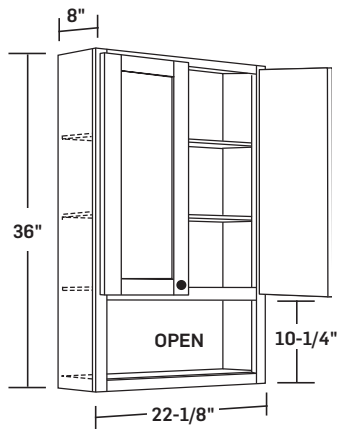


**VANITY SINK FRONTS**

- Two hinges per door
- Non-trimmable
- Sink fronts made to be trimmable 3" per side available upon request. Add suffix "T" – example VF30T or VF36T
- One false drawer front on top

VSF30  
VSF36

AD
FI
AW
MPE
FFE

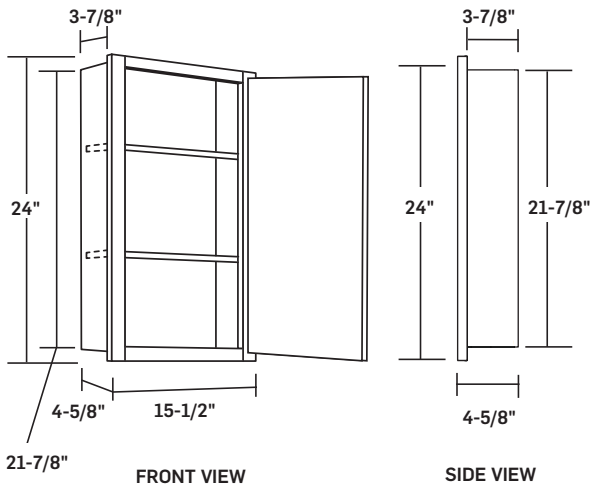


**VANITY WALL CABINET**

- Two hinges per door
- Two adjustable shelves in upper section
- Two butt doors
- **Vanity wall cabinet comes standard with plywood construction and matching finished interior**

VW2236

AD
❖ FI
❖ AW
❖ MPE
■ FFE

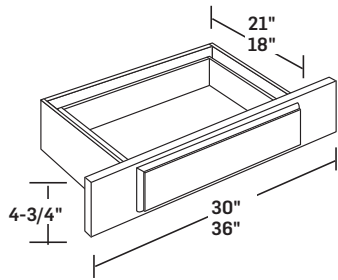


**MEDICINE CABINET**

- Recessed
- Specify L or R door hinging
- Shipped with 2 – 5/8" thick adjustable shelves
- **Cut out size: 13-7/8" wide x 22-1/4" high**
- **Cabinet size: 13-1/2" wide x 21-7/8" high x 3-7/8" deep**
- **Cabinet door does not come with a mirror**

MCR1624 L or R

AD
■ GDW
■ FI
■ AW
■ MPE
FFE

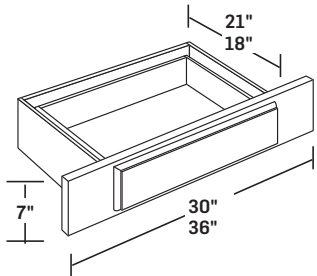


**SINGLE VANITY CABINET DRAWERS**

- One thin vanity drawer that is slab profile regardless of style ordered
- Trimmable 3" each side
- Not available with glaze detailing

VDD30T (21" deep)  
VDD36T (21" deep)

■ AD
FI
AW
MPE
FFE

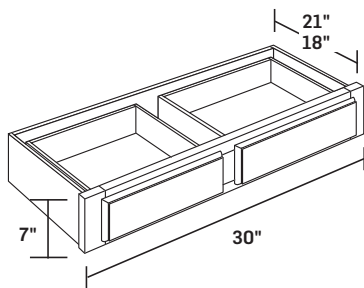


**VANITY KNEE HOLE DRAWERS**

- Trimmable 3" each side

VKD30T (21" deep)  
VKD36T (21" deep)

■ AD
FI
AW
MPE
FFE

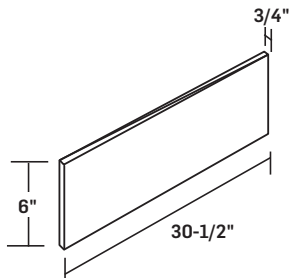


**MAKE UP DRAWER**

- Non-trimmable

VMD30 (21" deep)

■ AD
FI
AW
MPE
FFE

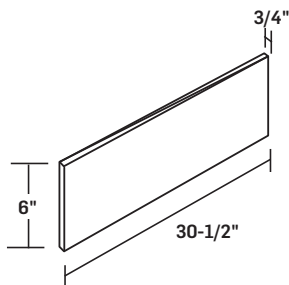


**VANITY BASE PANEL**

- 3/4" thick veneer plywood panel

VBP30

AD
FI
AW
MPE
FFE



**VANITY BASE SOLID WOOD PANEL**

- 3/4" thick solid birch or oak panel

VBP30S

AD
FI
AW
MPE
FFE

**VANITY LINEN CABINET OFFERINGS**

Check out our Tall Cabinet section pages 5.1-5.4 for our Utility Cabinet options. You can create many different vanity linen utility cabinets that will be perfect for your bathroom retreat.

## VANITY CABINET FRONT FRAME INSTRUCTIONS & DOOR CALCULATOR

### VANITY CABINET FRONT FRAME LEGEND & OPENING FORMULAS

ID	DESCRIPTION	CABINET TYPE	OPENING FORMULA
<b>CW</b>	Cabinet Width	All	Width From Cabinet ID
<b>CH</b>	Cabinet Height	All	Height From Cabinet ID
<b>FFH</b>	Front Frame Height	All	CH minus Toe Kick
<b>DOW</b>	Door (Drawer) Opening Width	Single Door	$CW - 3" = DOW$
	Door (Drawer) Opening Width	Double Butt Door	$CW - 3" = DOW$ (For 2 Doors)
	Door (Drawer) Opening Width	Double Door w/Post	$(CW - 6") \div 2 = DOW$
	Door (Drawer) Opening Width	Single Door Blind	$CW - 15" = DOW$
	Door (Drawer) Opening Width	Double Door Blind	$(CW - 18") \div 2 = DOW$
<b>DOH</b>	Door Opening Height	Door and Drawer Base	$CH - 9-1/4" = DOH$
	Door Opening Height	Full Height Door Base	$CH - 7-1/2" = DOH$
	Door Opening Height	Blind Corner Bases	$CH - 9-1/4" = DOH$

### VANITY DOOR DIMENSIONS CALCULATOR – WIDTH

DOOR TYPE	DESCRIPTION OF DOOR TYPE	CABINET TYPE	DOOR DIMENSION FORMULA
<b>FODW</b>	Full Overlay Door Width (1/4" Reveal)	1 and 2 Door Bases	$DOW + 2-1/2" = FODW$
		Butt Door Bases	$(DOW + 2-7/16") \div 2 = FODW$
<b>SODW</b>	Standard Overlay Door Width	1 and 2 Door Bases	$DOW + 1" = SODW$
		Butt Door Bases	$(DOW + 15/16") \div 2 = SODW$

### DOOR SIZE EXCEPTIONS

CABINET TYPE	DESCRIPTION OF CABINET	FOD	SOD
<b>MCR1624</b>	Medicine Cabinet	14-1/2" x 23"	13" x 21-5/8"
<b>VW2236</b>	Vanity Wall Cabinet	10-23/32" x 23"	10" x 21-5/8"

### DRAWER HEAD DIMENSIONS CALCULATOR – WIDTH

DOOR TYPE	DESCRIPTION OF DOOR TYPE	CABINET TYPE	DOOR DIMENSION FORMULA
<b>FODW</b>	Full Overlay Door Width (1/4" Reveal)	All Vanity Cabinets	$DOW + 2-1/2" = FODW$
<b>SODW</b>	Standard Overlay Door Width	All Vanity Cabinets	$DOW + 1" = SODW$

DECIMAL EQUIVALENT CHART LOCATED ON PAGE 2.5

### DRAWER HEAD DIMENSIONS CALCULATOR – HEIGHT

DOOR TYPE	DESCRIPTION OF DOOR TYPE	CABINET TYPE	DOOR DIMENSION FORMULA
<b>FODH</b>	Full Overlay Door Height (1/4" Reveal)	Top Drawers	$DOH + 1-3/4" = FODH$
		Bottom Drawers	
<b>SODH</b>	Standard Overlay Door Height	All Drawers	$DOH + 1/2" = SODH$

### DRAWER HEAD SIZE EXCEPTIONS

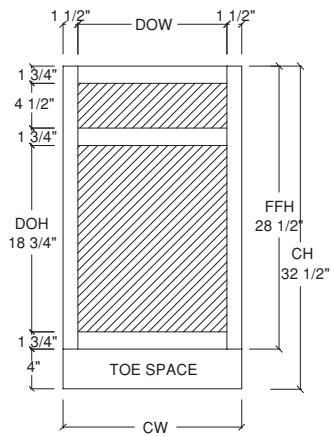
CABINET TYPE	DESCRIPTION OF CABINET	FOD	SOD
<b>VDD30T</b>	Single Vanity Cabinet Drawer	4-1/4" x 23-1/2"	3-1/2" x 22"
<b>VKD30T</b>	Vanity Knee Hole Drawer	6" x 23-1/2"	5" x 22"

### DOOR STYLE DESCRIPTIONS & IDENTIFICATION

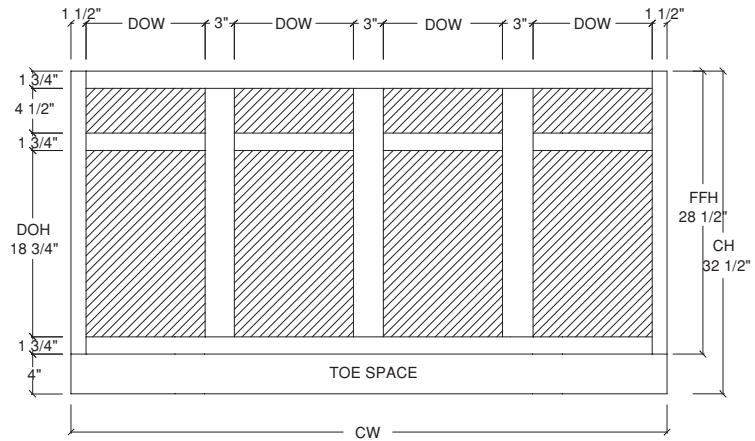
ID	DESCRIPTION	IDENTIFICATION
<b>FOD</b>	Full Overlay Door (1/4" Reveal)	Addison, Ardmore, Bedford, Bellevue, Carlisle, Edinburgh, Freeman, Langdon, Lisburn, Manor, Marianna, Rossiter, Southampton, Sutton, Trevino, and Weston
<b>SOD</b>	Standard Overlay Door	Brisbin, Benton, Cheswick, Hargrove, Herndon, Norwich, Salerno, and Touraine

### VANITY CABINET FRONT FRAMES

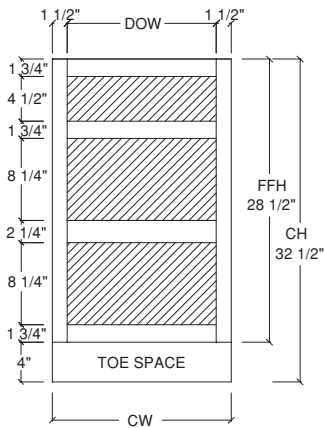
VB\_\_ SINGLE DOOR  
V\_\_ SINGLE DOOR  
VSS18



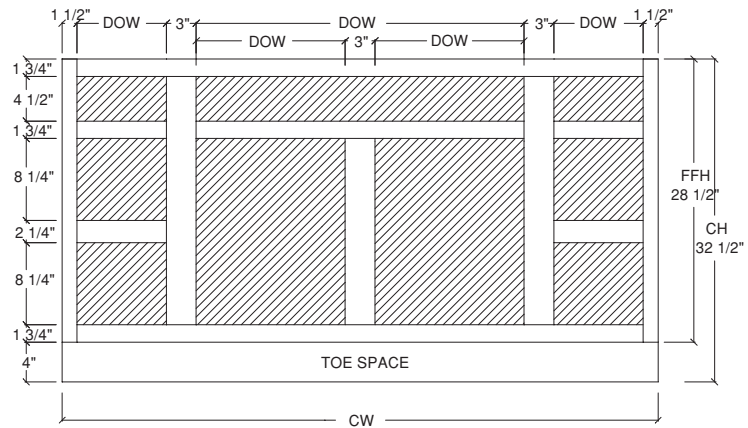
V60, VB60, VB66, VB72



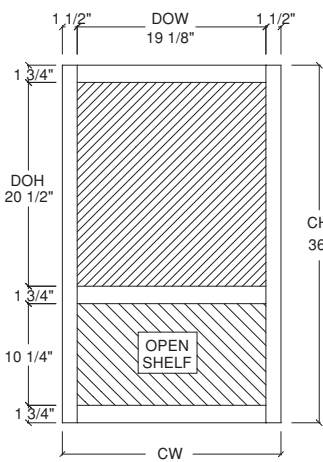
VDB\_\_  
3 DRAWER VANITY



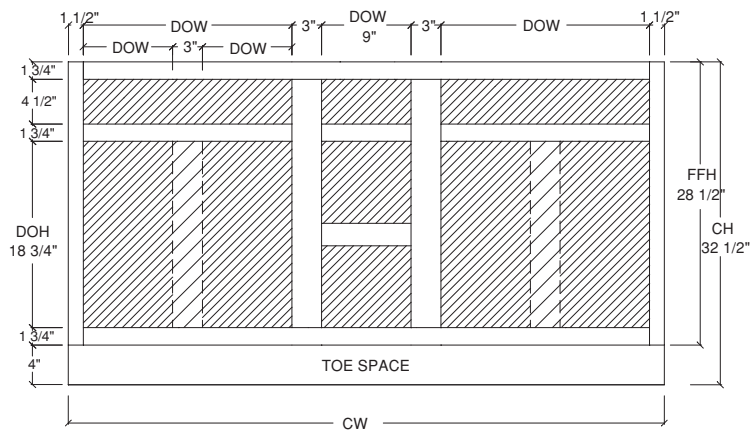
VCDB48, VCDB54, VCDB60



VW2236  
WALL CABINET

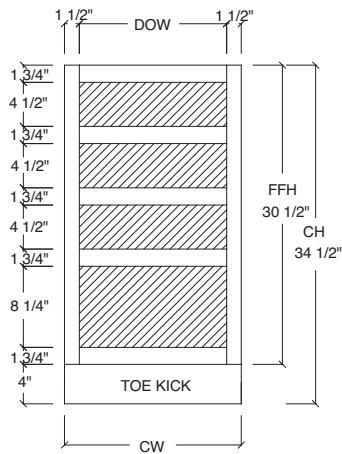


VDB54, VDB60, VDB66, VDB72

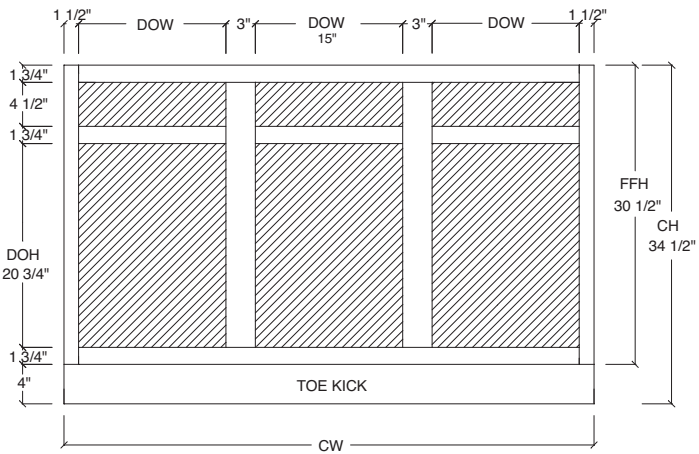


## VANITY CABINET FRONT FRAMES

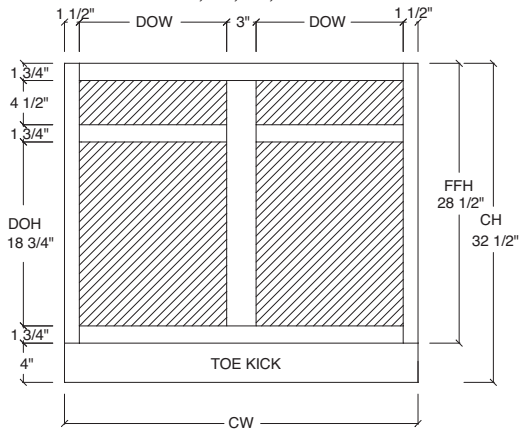
V48H, V54H, VB48H, VB54H  
"H" VERSION DRAWN



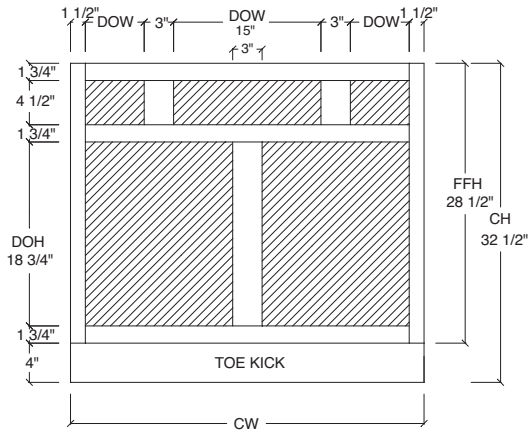
V48H, V54H, VB48H, VB54H  
"H" VERSION DRAWN



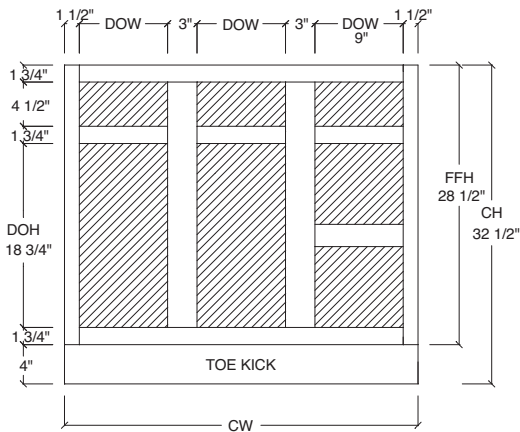
V24, V27, V30, V33  
V36, V39, V42, V45



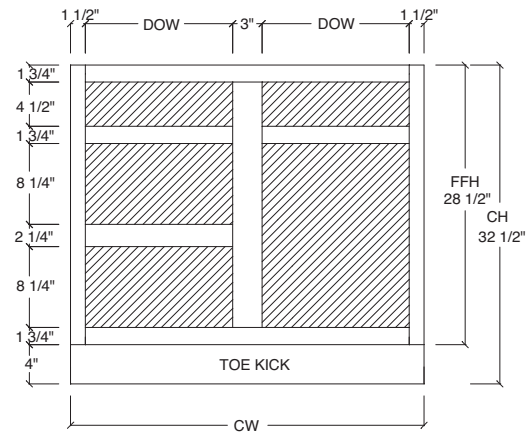
VB36, VB42



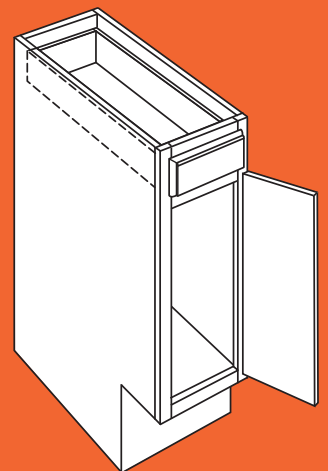
VDB36R, VDB42R, VDB48R, VDB54R  
ALSO AVAILABLE IN LEFT DRAWERS



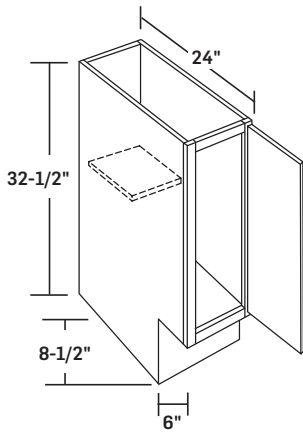
VD30L, VD36L, VD42L  
ALSO AVAILABLE IN RIGHT DRAWERS



# UNIVERSAL ACCESS CABINETS





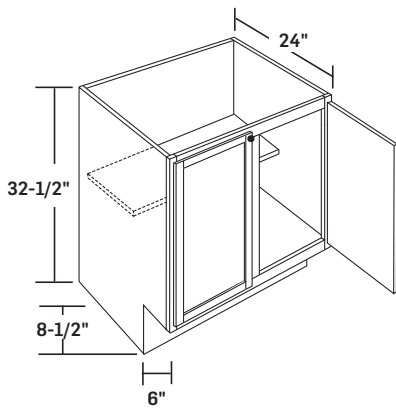


**UNIVERSAL ACCESS FULL HEIGHT SINGLE DOOR BASE CABINETS**

- Two hinges per door
- Full height door
- Specify L or R door hinging
- One 5/8" thick adjustable half-depth shelf
- **Carlisle has two butt doors on HCB24FH**

HCB12FH L or R  
 HCB15FH L or R  
 HCB18FH L or R  
 HCB21FH L or R  
 HCB24FH L or R

■ CFO
■ AD
■ FDS
■ FI
■ AW
■ MPE
■ FFE

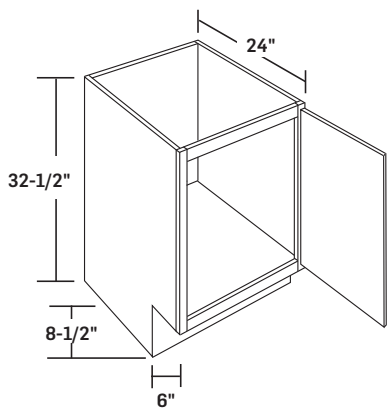


**UNIVERSAL ACCESS FULL HEIGHT DOUBLE DOOR BASE CABINETS**

- Two hinges per door
- Full height door
- One 5/8" thick adjustable half-depth shelf
- **Carlisle has four butt doors on HCB48FH**

HCB27FH  
 HCB30FH  
 HCB33FH  
 HCB36FH  
 HCB39FH  
 HCB42FH  
 HCB45FH  
 HCB48FH

■ CFO
■ AD
■ FDS
■ FI
■ AW
■ MPE
■ FFE

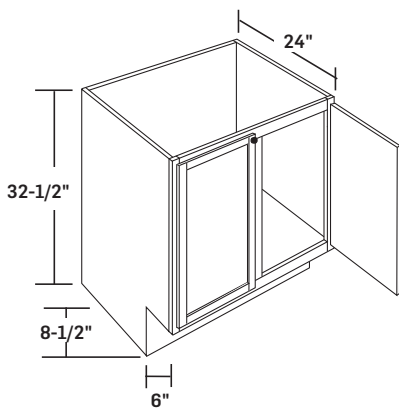


**UNIVERSAL ACCESS FULL HEIGHT SINGLE DOOR SINK BASE CABINET**

- Two hinges per door
- Full height door
- Specify L or R door hinging
- **Carlisle has two butt doors**

HCSB24FH L or R

■ CFO
■ AD
■ FDS
■ FI
■ AW
■ MPE
■ FFE

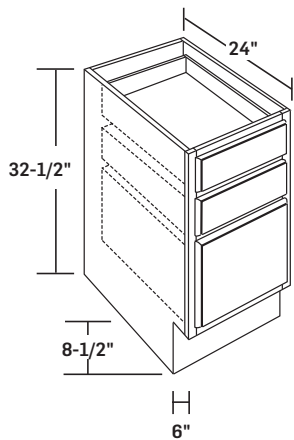


## UNIVERSAL ACCESS FULL HEIGHT DOUBLE DOOR SINK BASE CABINETS

- Two hinges per door
- Carlisle has four butt doors on HCSB48FH

HCSB27FH  
HCSB30FH  
HCSB33FH  
HCSB36FH  
HCSB39FH  
HCSB42FH  
HCSB45FH  
HCSB48FH

■ CFO
■ AD
FDS
FI
■ AW
■ MPE
■ FFE

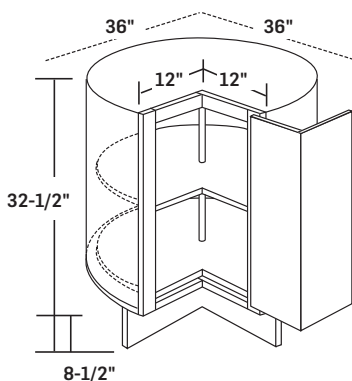


## UNIVERSAL ACCESS TRIPLE DRAWER BASE CABINETS

- Two standard-depth drawers on top
- One deep drawer on bottom
- Does not accommodate metal drawer files

HCDB12  
HCDB15  
HCDB18  
HCDB21  
HCDB24

■ CFO
■ AD
FDS
FI
■ AW
■ MPE
■ FFE

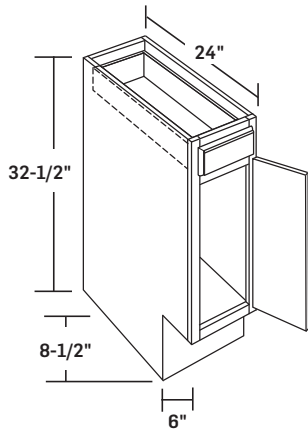


## UNIVERSAL ACCESS ROTATING CORNER BASE CABINET

- Two hinges per door
- Specify L or R door hinging
- Requires 36" of wall space on both sides
- Shelf diameter is 24"
- Overall diameter is 26"
- This unit is not designed to be used at the end of a cabinet run or up against appliances. Allow for DWR1 (additional 1") of space when using this application.
- Gentle-Touch (soft-close) hinge not available

HCCAR36 L or R

CFO
AD
FDS
FI
■ AW
MPE
FFE

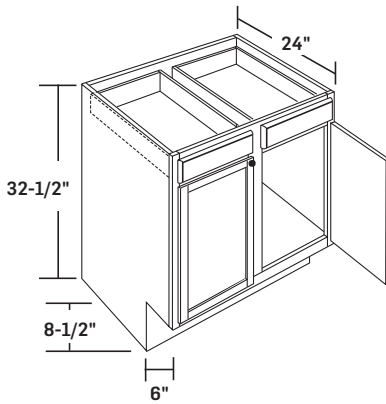


**UNIVERSAL ACCESS SINGLE DOOR AND DRAWER BASE CABINETS**

- Two hinges per door
- Specify L or R door hinging
- One standard-depth drawer
- **Standard Reveal door styles only**

HCB12 L or R  
 HCB15 L or R  
 HCB18 L or R  
 HCB21 L or R

■ CFO
■ AD
■ FDS
■ FI
■ AW
■ MPE
■ FFE

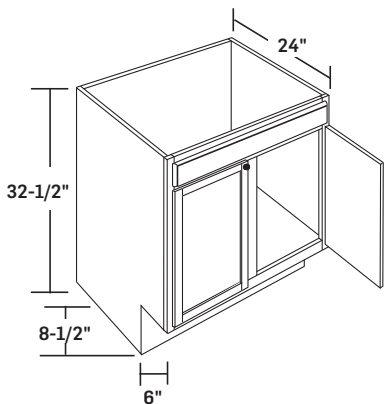


**UNIVERSAL ACCESS DOUBLE DOOR AND DRAWER BASE CABINETS**

- Two hinges per door
- Two standard-depth drawers
- **Standard Reveal door styles only**

HCB30  
 HCB33  
 HCB36  
 HCB42

■ CFO
■ AD
■ FDS
■ FI
■ AW
■ MPE
■ FFE

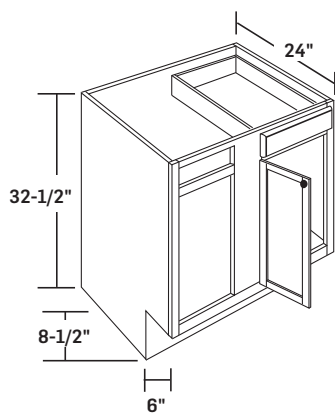


**UNIVERSAL ACCESS DOUBLE DOOR SINK BASE CABINETS**

- Two hinges per door
- One false drawer front on top
- **Standard Reveal door styles only**

HCSB30  
 HCSB33  
 HCSB36

■ CFO
■ AD
■ FDS
■ FI
■ AW
■ MPE
■ FFE

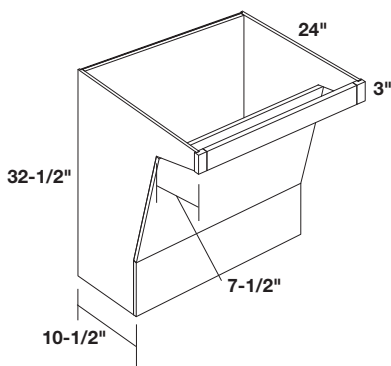


## UNIVERSAL ACCESS SINGLE DOOR AND DRAWER BLIND BASE CABINETS

- Two hinges per door
- Specify L or R door hinging
- See page 4.45 for blind cabinet installation instructions
- Filler must be ordered separately. Allow 27" to turn corner.
- **Standard Reveal door styles only**

HCBLB36/39 L or R  
 HCBLB39/42 L or R  
 HCBLB42/45 L or R  
 HCBLB45/48 L or R

■	CFO
■	AD
	FDS
	FI
■	AW
■	MPE
■	FFE



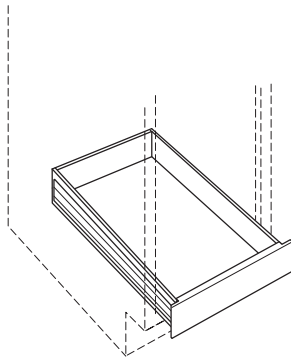
## UNIVERSAL ACCESS SINK BASE PLUMBING SKIRTS

- Plywood construction only
- Altered depth available in 21" only
- 8-1/2" toe kick is unfinished. Must order TKS8x8\_ to cover toekick area
- Not available with glaze detailing

HCSB30PS  
 HCSB36PS

	CFO
+	AD
	FDS
	FI
❖	AW
■	MPE
■	FFE

**PULL OUT SHELF TRAYS**



- Full-depth shelf tray
- Must order two shelf trays for 30", 36", 42" or 48" wide cabinets. (ie: 2-ST18 for 36" wide cabinet)
- Shelf tray shipped with drawer guides for 18", 21", or 24" deep cabinets
- Not available in dovetail construction
- Maximum recommended load: 75 lbs

CFO
AD
FDS
FI
AW
MPE
FFE

**18" DEEP PULL OUT SHELF TRAYS**

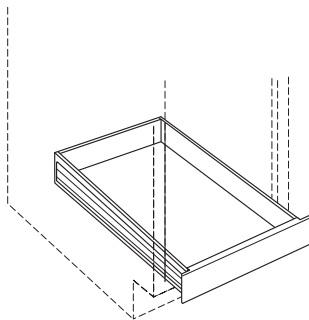
- ST12x18 (Fits 12" wide cabinets)
- ST15x18 (Fits 15" or 30" wide cabinets)
- ST18x18 (Fits 18" or 36" wide cabinets)
- ST21x18 (Fits 21" or 42" wide cabinets)
- ST24x18 (Fits 24" or 48" wide cabinets)
- ST27x18 (Fits 27" wide cabinets, 2 trays)
- ST33x18 (Fits 33" wide cabinets, 2 trays)
- ST39x18 (Fits 39" wide cabinets, 2 trays)
- ST45x18 (Fits 45" wide cabinets, 2 trays)

**21" DEEP PULL OUT SHELF TRAYS**

- ST12x21 (Fits 12" wide cabinets)
- ST15x21 (Fits 15" or 30" wide cabinets)
- ST18x21 (Fits 18" or 36" wide cabinets)
- ST21x21 (Fits 21" or 42" wide cabinets)
- ST24x21 (Fits 24" or 48" wide cabinets)
- ST27x21 (Fits 27" wide cabinets, 2 trays)
- ST33x21 (Fits 33" wide cabinets, 2 trays)
- ST39x21 (Fits 39" wide cabinets, 2 trays)
- ST45x21 (Fits 45" wide cabinets, 2 trays)

**24" DEEP PULL OUT SHELF TRAYS**

- ST12 (Fits 12" wide cabinets)
- ST15 (Fits 15" or 30" wide cabinets)
- ST18 (Fits 18" or 36" wide cabinets)
- ST21 (Fits 21" or 42" wide cabinets)
- ST24 (Fits 24" or 48" wide cabinets)
- ST27 (Fits 27" wide cabinets, 2 trays)
- ST33 (Fits 33" wide cabinets, 2 trays)
- ST39 (Fits 39" wide cabinets, 2 trays)
- ST45 (Fits 45" wide cabinets, 2 trays)



**WIDE BUTT DOOR PULL OUT SHELF TRAYS**

- Full-depth shelf tray
- Shelf tray shipped with drawer guides for 18", 21", or 24" deep cabinets
- Not available in dovetail construction
- Maximum recommended load: 75 lbs

CFO
AD
FDS
FI
AW
MPE
FFE

**18" DEEP PULL OUT SHELF TRAYS**

- ST27BDx18 (Fits 27" wide butt door cabinets)
- ST30BDx18 (Fits 30" wide butt door cabinets)
- ST33BDx18 (Fits 33" wide butt door cabinets)

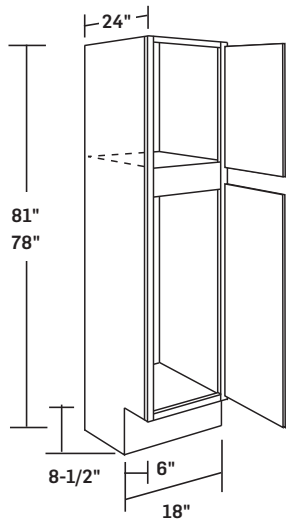
**21" DEEP PULL OUT SHELF TRAYS**

- ST27BDx21 (Fits 27" wide butt door cabinets)
- ST30BDx21 (Fits 30" wide butt door cabinets)
- ST33BDx21 (Fits 33" wide butt door cabinets)

**24" DEEP PULL OUT SHELF TRAYS**

- ST27BD (Fits 27" wide butt door cabinets)
- ST30BD (Fits 30" wide butt door cabinets)
- ST33BD (Fits 33" wide butt door cabinets)

**For (DST) Deluxe Pull-Out Shelf Tray Sizes see page 4.41-4.42**



## UNIVERSAL ACCESS 18" WIDE SINGLE DOOR UTILITY CABINETS

- Specify L or R door hinging
- HCUC1824x81 has one 5/8" thick adjustable full-depth shelf in upper section
- 3 hinges per door on lower section
- 2 hinges per door for upper section
- Lower portion of utility cabinet shipped without shelves
- Order UCS1824 shelves separately (page 5.6)
- Single door top and bottom
- **Standard Reveal door styles only**

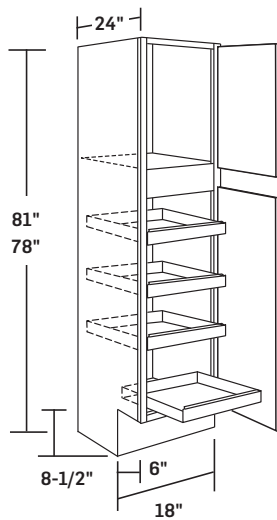
CFO
AD
FDS
FI
■ AW
■ MPE
■ FFE

### 78" HIGH UTILITY CABINET

HCUC1824x78 L or R

### 81" HIGH UTILITY CABINET

HCUC1824x81 L or R



## UNIVERSAL ACCESS 18" WIDE SINGLE DOOR PANTRY CABINETS WITH FOUR SHELF TRAYS

- HCPC1824x81 has one 5/8" thick adjustable full-depth shelf in upper section
- Specify L or R door hinging
- 3 hinges per door on lower section
- 2 hinges per door for upper section
- Lower portion of utility cabinet has four standard-depth shelf trays
- Single door top and bottom
- **Standard Reveal door styles only**

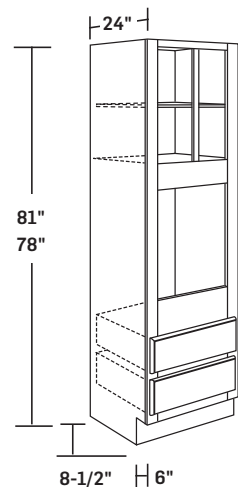
CFO
AD
FDS
FI
■ AW
■ MPE
■ FFE

### 78" HIGH UTILITY CABINET

HCPC1824x78 L or R

### 81" HIGH UTILITY CABINET

HCPC1824x81 L or R



## UNIVERSAL ACCESS DOUBLE DRAWER OVEN CABINETS

- One 5/8" thick adjustable full-depth shelf in upper section
- Two standard-depth drawers on bottom
- Trimmable drawers for larger ovens
- See page 5.14 OV27D, OV30D, and OV33D for minimum/maximum cut out sizes
- Gentle-Touch (soft-close) hinge not available

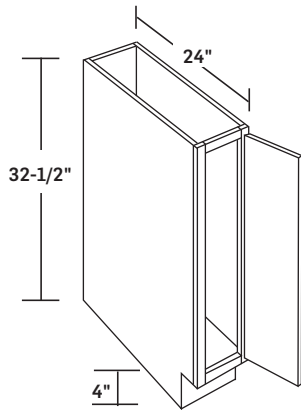
CFO
AD
FDS
FI
■ AW
■ MPE
■ FFE

### 78" HIGH UTILITY CABINET

HCOV27x78  
HCOV30x78  
HCOV33x78

### 81" HIGH UTILITY CABINET

HCOV27x81  
HCOV30x81  
HCOV33x81

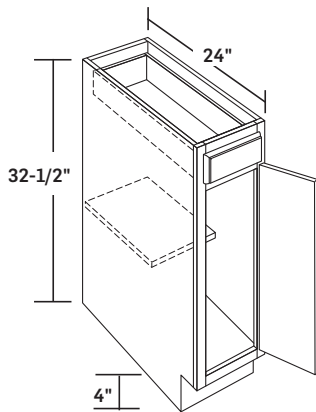


**UNIVERSAL ACCESS ADAPTABLE FULL HEIGHT SINGLE DOOR BASE CABINET**

- Two hinges per door
- Specify L or R door hinging

■ CFO
■ AD
■ FDS
■ FI
■ AW
■ MPE
■ FFE

HAB09 L or R

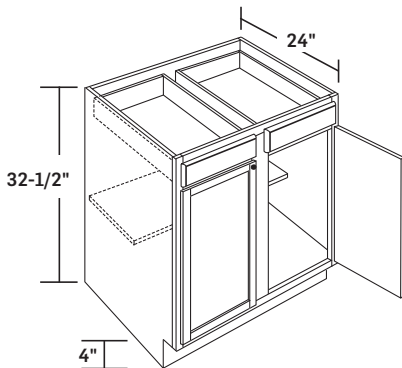


**UNIVERSAL ACCESS ADAPTABLE SINGLE DOOR AND DRAWER BASE CABINETS**

- Two hinges per door
- Specify L or R door hinging
- One 5/8" thick adjustable half-depth shelf
- **Carlisle has two butt doors on HAB24**

■ CFO
■ AD
■ FDS
■ FI
■ AW
■ MPE
■ FFE

HAB12 L or R  
 HAB15 L or R  
 HAB18 L or R  
 HAB21 L or R  
 HAB24 L or R

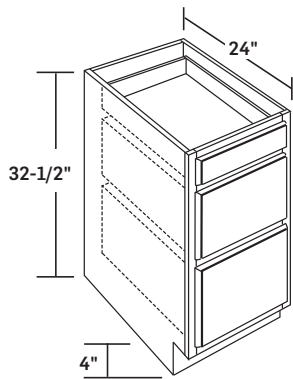


**UNIVERSAL ACCESS ADAPTABLE DOUBLE DOOR AND DRAWER BASE CABINETS**

- Two hinges per door
- One 5/8" thick adjustable half-depth shelf
- **Carlisle has four butt doors on HAB48**

■ CFO
■ AD
■ FDS
■ FI
■ AW
■ MPE
■ FFE

HAB27  
 HAB30  
 HAB33  
 HAB36  
 HAB39  
 HAB42  
 HAB45  
 HAB48

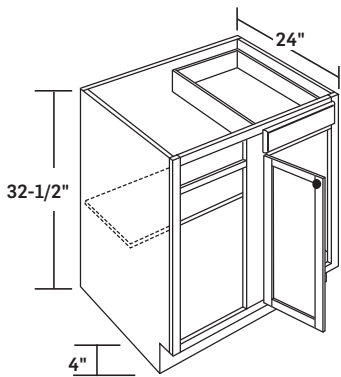


**UNIVERSAL ACCESS ADAPTABLE TRIPLE DRAWER BASE CABINETS**

- One standard-depth drawer on top
- Two deep drawers on bottom
- Does not accommodate metal drawer files

HADB12  
HADB15  
HADB18  
HADB21  
HADB24

■ CFO
■ AD
FDS
FI
■ AW
■ MPE
■ FFE



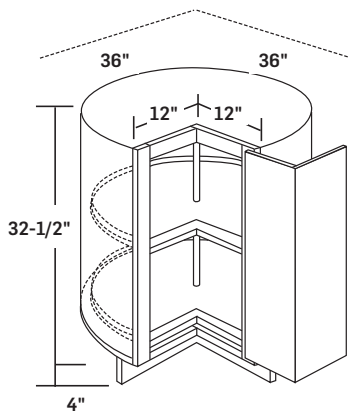
**UNIVERSAL ACCESS ADAPTABLE SINGLE DOOR AND DRAWER BLIND BASE CABINETS**

- Two hinges per door
- Specify L or R door hinging
- One 5/8" thick half-depth shelf
- Shelf is adjustable in AllWood and Pinnacle construction and fixed in Premier construction
- See page 4.45 for blind cabinet installation instructions
- Filler must be ordered separately
- Allow 27" to turn corner
- In Full Overlay styles order OBLB filler overlay (page 9.7)
- Blind section of cabinet has no center horizontal rail

HAPLB36/39 R shown

HAPLB36/39 L or R  
HAPLB39/42 L or R  
HAPLB42/45 L or R  
HAPLB45/48 L or R  
HAPLB48/51 L or R

■ CFO
■ AD
FDS
FI
■ AW
■ MPE
■ FFE



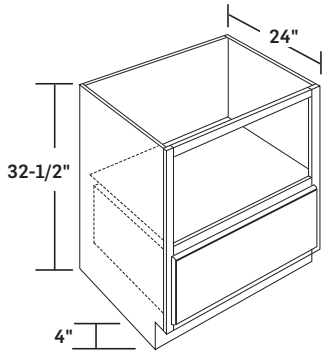
**UNIVERSAL ACCESS ADAPTABLE ROTATING CORNER BASE CABINET**

- Two hinges per door
- Specify L or R door hinging
- Requires 36" of wall space on both sides
- Shelf diameter is 24"
- Overall diameter is 26"
- This unit is not designed to be used at the end of a cabinet run or up against appliances. Allow for DWR1 (additional 1") of space when using this application
- Gentle-Touch (soft-close) hinge not available

HACAR36 L or R

CFO
AD
FDS
FI
■ AW
MPE
FFE



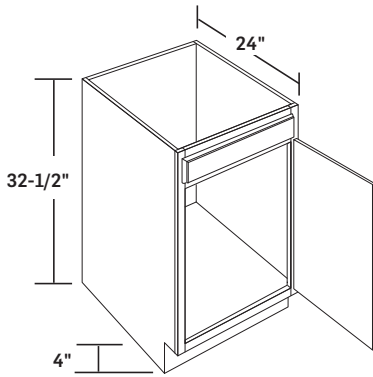


**UNIVERSAL ACCESS ADAPTABLE  
BASE MICROWAVE CABINET**

- One deep drawer on bottom
- Opening is 27" w x 13-3/4" h
- Cabinet comes standard with plywood construction and matching finished interior

HABMC30

■ CFO
■ AD
■ FDS
❖ FI
❖ AW
❖ MPE
■ FFE

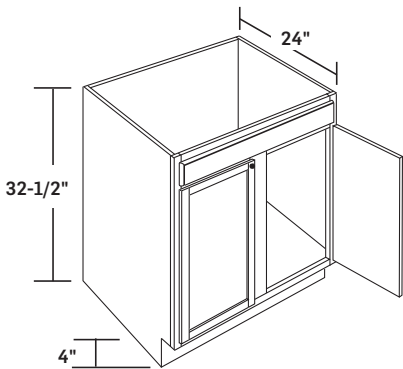


**UNIVERSAL ACCESS ADAPTABLE  
SINGLE DOOR SINK BASE CABINET**

- Two hinges per door
- Specify L or R door hinging
- One false drawer front on top
- **Carlisle has two butt doors on HASB24**

HASB24 L or R

■ CFO
■ AD
■ FDS
■ FI
■ AW
■ MPE
■ FFE

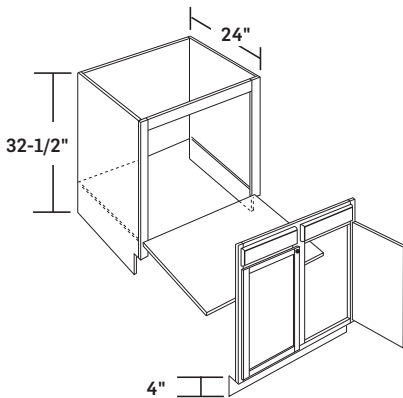


**UNIVERSAL ACCESS ADAPTABLE  
DOUBLE DOOR SINK BASE CABINETS**

- Two hinges per door
- One false drawer front on top

HASB27  
HASB30  
HASB33  
HASB36

■ CFO
■ AD
■ FDS
■ FI
■ AW
■ MPE
■ FFE



**UNIVERSAL ACCESS ADAPTABLE DOUBLE DOOR  
SINK BASE CABINETS WITH REMOVABLE FRONT**

- Two hinges per door
- Two false drawer fronts on top

HASB30REM  
HASB33REM  
HASB36REM  
HASB42REM

■ CFO
■ AD
■ FDS
■ FI
■ AW
■ MPE
■ FFE

**UNIVERSAL ACCESS AND ADAPTABLE FRONT FRAME INSTRUCTIONS & DOOR CALCULATOR**

**UNIVERSAL ACCESS (HC) FRONT FRAME LEGEND & OPENING FORMULAS**

ID	DESCRIPTION	CABINET TYPE	OPENING FORMULA
<b>CW</b>	Cabinet Width	All	Width From Cabinet ID
<b>CH</b>	Cabinet Height	All	Height From Cabinet ID
<b>FFH</b>	Front Frame Height	All	CH minus Toe Kick
<b>DOW</b>	Door (& Drawer) Opening Width	Single Door	$CW - 3" = DOW$
	Door (& Drawer) Opening Width	Double Butt Door	$CW - 3" = DOW$ (For 2 Doors)
	Door (& Drawer) Opening Width	Double Door w/Post	$(CW - 6") \div 2 = DOW$
	Door (& Drawer) Opening Width	Single Door Blind	$CW - 15" = DOW$
	Door (& Drawer) Opening Width	Double Door Blind	$(CW - 18") \div 2 = DOW$
	Door Opening Width	Oven Cabinet	$(CW - 9") \div 2 = DOW$
<b>DOH</b>	Drawer Opening Width	Oven Cabinet	$CH - 6" = DOW$
	Door Opening Height	All	$CH - 9-1/2" = DOH$

**UNIVERSAL ACCESS (HC) DOOR DIMENSIONS CALCULATOR – WIDTH**

DOOR TYPE	DESCRIPTION OF DOOR TYPE	CABINET TYPE	DOOR DIMENSION FORMULA
<b>FODW</b>	Full Overlay Door Width (1/4" Reveal)	1 Door	$DOW + 2-1/2" = FODW$
		2 (Butt Doors)	$(DOW + 2-7/16") \div 2 = FODW$
<b>SODW</b>	Standard Overlay Door Width	1 Door	$DOW + 1" = SODW$
		2 (Butt Doors)	$(DOW + 15/16") \div 2 = SODW$
		2 (Oven Cabinets)	$DOW + 2-1/2" = SODW$

DECIMAL EQUIVALENT CHART LOCATED ON PAGE 2.5

**UNIVERSAL ACCESS (HC) DOOR DIMENSIONS CALCULATOR – HEIGHT**

DOOR TYPE	DESCRIPTION OF DOOR TYPE	CABINET TYPE	DOOR DIMENSION FORMULA
<b>FODH</b>	Full Overlay Door Height (1/4" Reveal)	All except Door & Dwr Base	$DOH + 1-1/2" = FODH$
		Door & Dwr Base	not available
<b>SODH</b>	Standard Overlay Door Height	All except Door & Dwr Base	$DOH + 1-1/8" = SODH$
		Door & Dwr Base	$DOH + 1-3/8" = SODH$

**DOOR HEIGHT EXCEPTIONS**

CABINET TYPE	DESCRIPTION OF CABINET	FOD	SOD
<b>HCUC Bottom Doors</b>	Single Door Utility Cabinets	not available	47-7/8"

**UNIVERSAL ACCESS (HC) DRAWER HEAD DIMENSIONS CALCULATOR – WIDTH**

DOOR TYPE	DESCRIPTION OF DOOR TYPE	CABINET TYPE	DOOR DIMENSION FORMULA
<b>FODW</b>	Full Overlay Door Width (1/4" Reveal)	All Base Cabinets	$DOW + 2-1/2" = FODW$
<b>SODW</b>	Standard Overlay Door Width	All Base Cabinets	$DOW + 1" = SODW$
		Oven Cabinets	$DOW + 4" = SODW$

DECIMAL EQUIVALENT CHART LOCATED ON PAGE 2.5

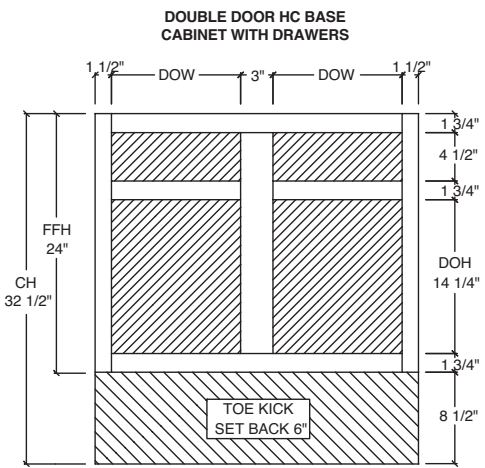
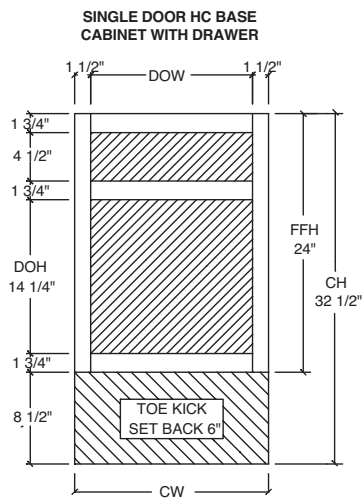
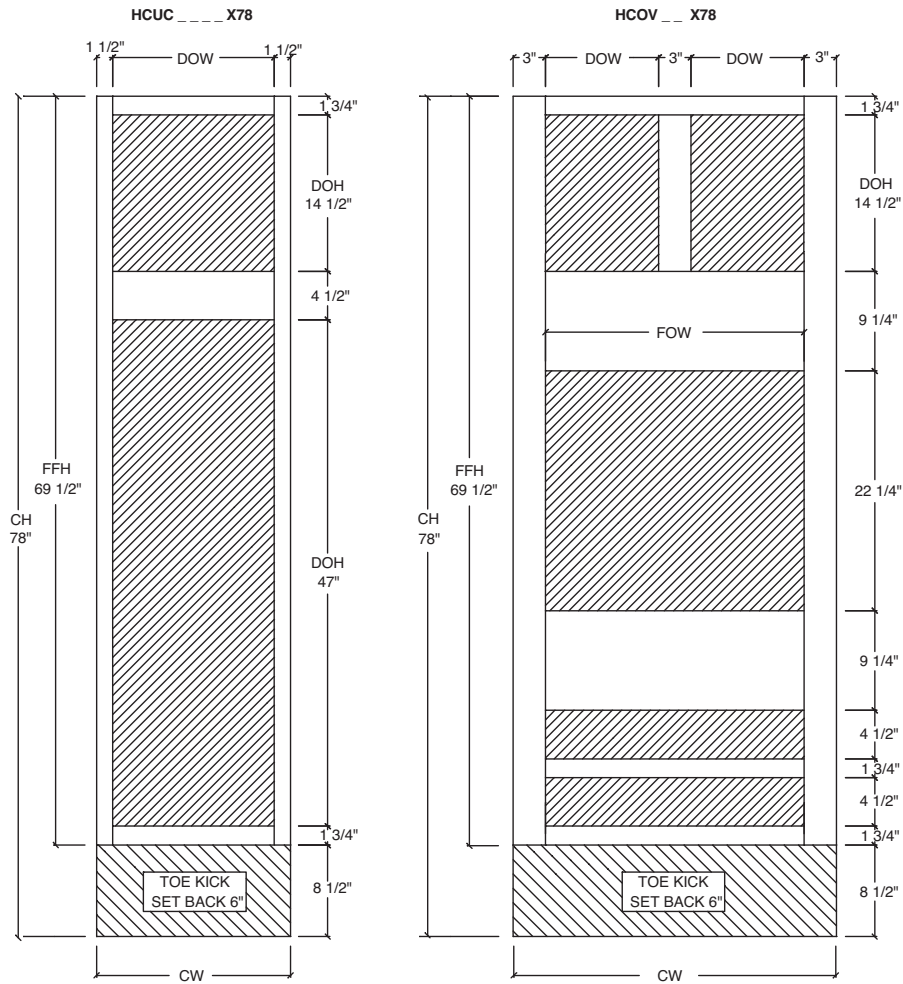
**UNIVERSAL ACCESS (HC) DRAWER HEAD DIMENSIONS CALCULATOR – HEIGHT**

DOOR TYPE	DESCRIPTION OF DOOR TYPE	CABINET TYPE	DOOR DIMENSION FORMULA
<b>FODH</b>	Full Overlay Door Height (1/4" Reveal)	Top Drawer	$DOH + 1-1/2" = FODH$
		Bottom Drawer	$DOH + 1-3/4" = FODH$
<b>SODH</b>	Standard Overlay Door Height	Top Drawer	$DOH + 1/2" = SODH$
		Bottom Drawer	$DOH + 1/2" = SODH$

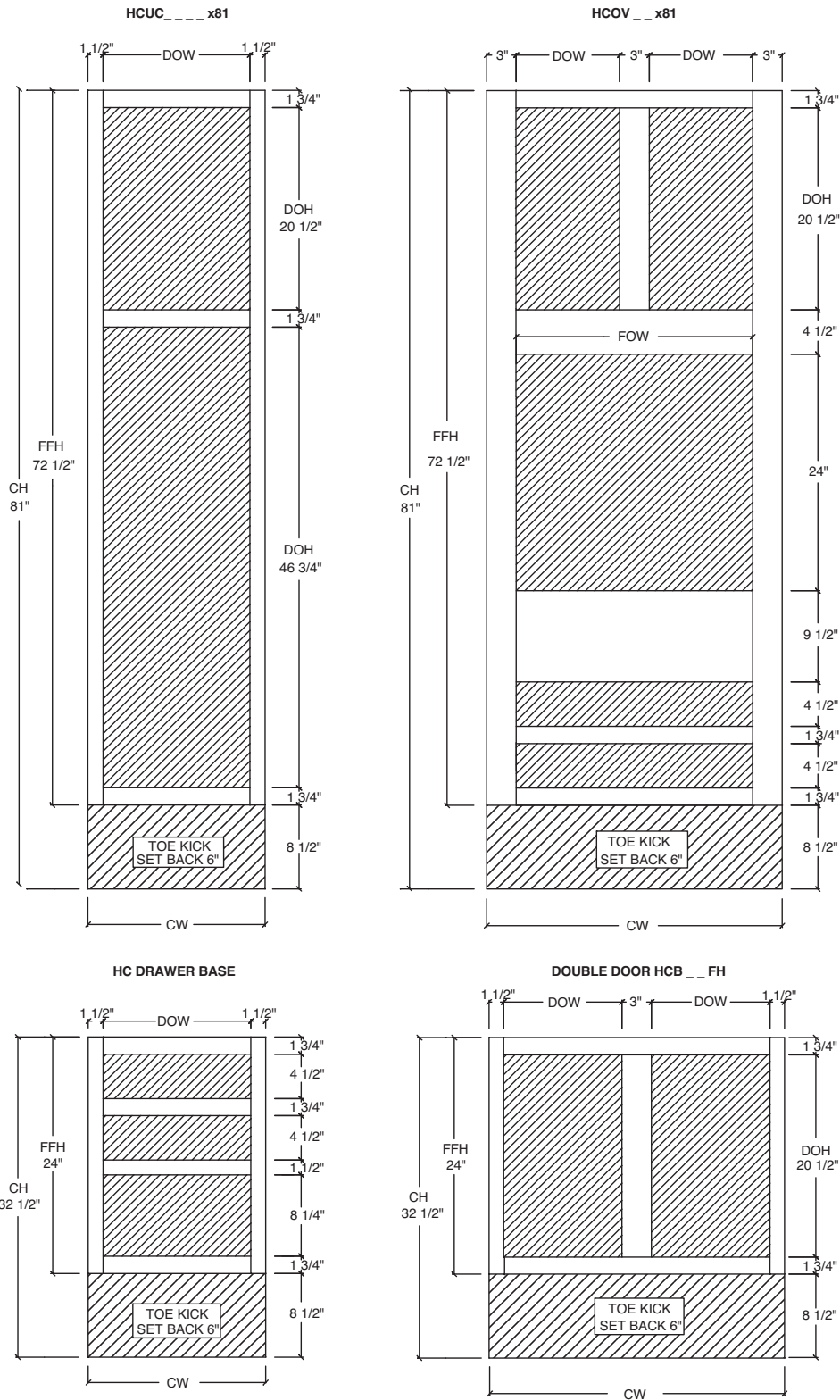
**DOOR STYLE DESCRIPTION & IDENTIFICATION**

ID	DESCRIPTION	IDENTIFICATION
<b>FOD</b>	Full Overlay Door (1/4" Reveal)	Addison, Ardmore, Bedford, Belleview, Carlisle, Edinburgh, Freeman, Langdon, Lisburn, Manor, Marianna, Rossiter, Southampton, Sutton, Trevino, and Weston
<b>SOD</b>	Standard Overlay Door	Brisbin, Benton, Cheswick, Hargrove, Herndon, Norwich, Salerno, and Touraine

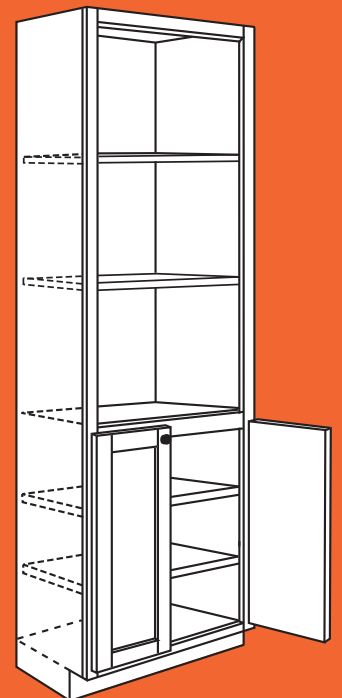
UNIVERSAL ACCESS AND ADAPTABLE FRONT FRAMES

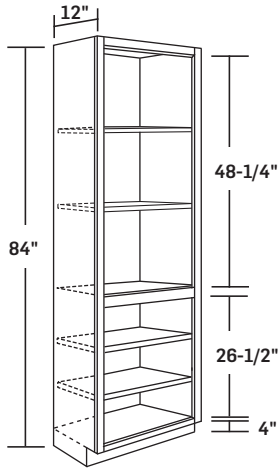


## UNIVERSAL ACCESS AND ADAPTABLE FRONT FRAMES



# OFFICE CABINETS



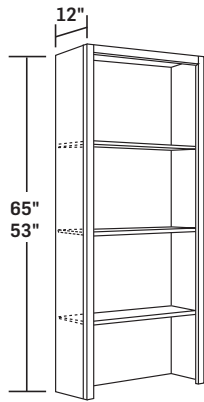


### 84" HIGH x 12" DEEP BOOKCASES

- Four 5/8" adjustable shelves
- Available in oak, maple, or cherry veneer plywood with finished interior and exterior
- **Bookcases come standard with plywood construction and matching finished interior**
- Not available in Thermofoil door styles
- **Bookcases do not come with doors. For doors on the lower section of the cabinet, order 30" high wall cabinet doors separately**

CFO
AD
❖ FI
❖ AW
❖ MPE
■ FFE

BC2484  
BC3084  
BC3684



### 53" or 65" HIGH x 12" DEEP BOOKCASES

- Three 5/8" adjustable shelves
- Bookcase designed to sit on counter top.
- Trimmable
- **Bookcases come standard with plywood construction and matching finished interior**
- Not available in Thermofoil door styles

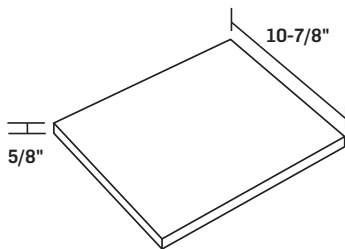
CFO
AD
❖ FI
❖ AW
❖ MPE
■ FFE

#### 53" HIGH BOOKCASES

BC2453  
BC3053  
BC3653

#### 65" HIGH BOOKCASES

BC2465  
BC3065  
BC3665

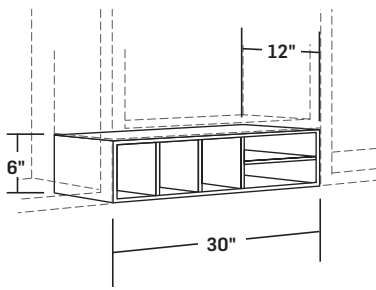


### 12" DEEP ADJUSTABLE BOOKCASE SHELVES

- 5/8" thick
- Each shelf shipped with 4-shelf supports
- Standard in oak, maple, or cherry veneer plywood
- Finished on both sides and one long edge

CFO
AD
❖ FI
❖ AW
MPE
FFE

BCSH2412  
BCSH3012  
BCSH3612

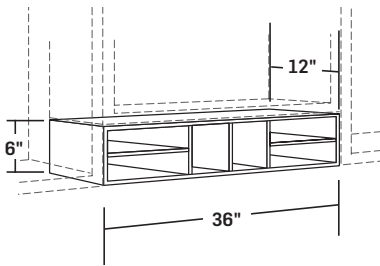


**6" HIGH WALL CABINET ORGANIZER – 5 OPENINGS**

- Available in oak, maple, or cherry veneer
- Maple used when ordering birch, painted, or thermofoil door styles
- Install below 30" wide wall cabinet
- Finished interior and exterior
- Not recommended to be installed at the end of a cabinet run

ORG30

CFO
AD
❖ FI
AW
MPE
FFE

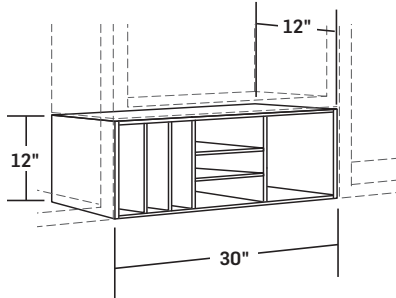


**6" HIGH WALL CABINET ORGANIZER – 6 OPENINGS**

- Available in oak, maple, or cherry veneer
- Maple used when ordering birch, painted, or thermofoil door styles
- Install below 36" wide wall cabinet
- Finished interior and exterior
- Not recommended to be installed at the end of a cabinet run

ORG36

CFO
AD
❖ FI
AW
MPE
FFE

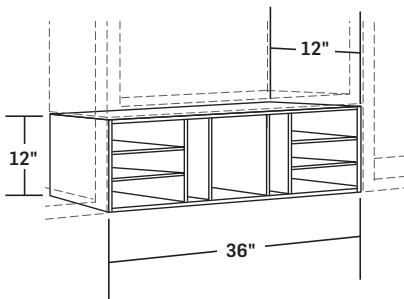


**12" HIGH WALL CABINET ORGANIZER – 7 OPENINGS**

- Available in oak, maple, or cherry veneer
- Maple used when ordering birch, painted, or thermofoil door styles
- Install below 30" wide wall cabinet
- Finished interior and exterior
- Not recommended to be installed at the end of a cabinet run

ORG3012

CFO
AD
❖ FI
AW
MPE
FFE

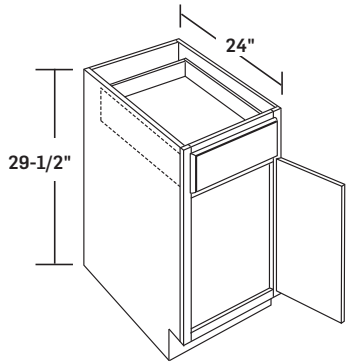


**12" HIGH WALL CABINET ORGANIZER – 9 OPENINGS**

- Available in oak, maple, or cherry veneer
- Maple used when ordering birch, painted, or thermofoil door styles
- Install below 36" wide wall cabinet
- Finished interior and exterior
- Not recommended to be installed at the end of a cabinet run

ORG3612

CFO
AD
❖ FI
AW
MPE
FFE

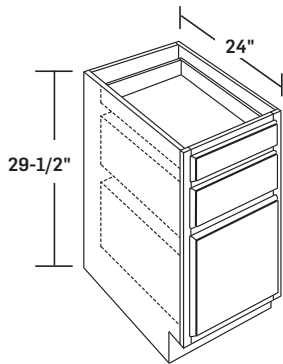


**SINGLE DOOR AND DRAWER  
DESK BASE CABINETS**

- One standard-depth drawer
- Two hinges per door
- Specify L or R door hinging

DBD12 L or R  
DBD15 L or R  
DBD18 L or R  
DBD21 L or R

■ CFO
■ AD
FI
■ AW
■ MPE
■ FFE

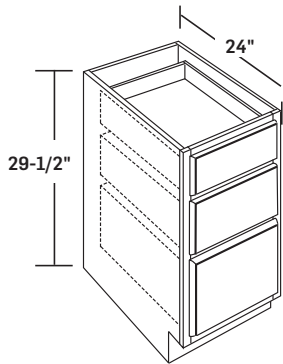


**FILE DRAWER DESK BASE CABINET**

- One thin profile desk drawer on top that is slab profile, regardless of style ordered. Not available with glaze detailing
- One standard-depth drawer in middle
- Heavy-duty drawer guide in bottom deep drawer that accommodates metal files (not supplied)
- When dovetail drawer upgrade is ordered, soft-close will automatically be provided on bottom drawer

FDB18

■ CFO
AD
FI
■ AW
■ MPE
■ FFE

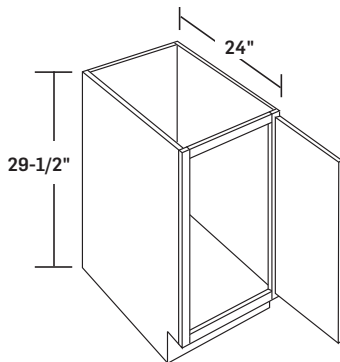


**DESK DRAWER BASE CABINETS**

- One standard-depth drawer on top
- One slightly deeper drawer in middle
- One deep drawer on bottom (does not accommodate metal files)

DDB12  
DDB15  
DDB18  
DDB21  
DDB24

■ CFO
■ AD
FI
■ AW
■ MPE
■ FFE



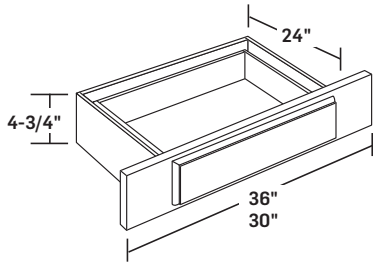
**DESK COMPUTER FULL HEIGHT  
SINGLE DOOR BASE CABINET**

- Two hinges per door
- Specify L or R door hinging

DCB15 L or R

■ CFO
■ AD
FI
■ AW
■ MPE
■ FFE





### SINGLE DESK CABINET DRAWERS

- One thin desk drawer that is slab profile, regardless of style ordered
- Trimmable 3" each side
- For 21" and 18" altered depth see VDD30T and VDD36T on page 6.15
- Not available with glaze detailing

DD30T  
DD36T

CFO
AD
FI
■ AW
MPE
FFE

## OFFICE CABINET FRONT FRAME INSTRUCTIONS & DOOR CALCULATOR

### OFFICE & ENTERTAINMENT CENTER CABINET FRONT FRAME LEGEND & OPENING FORMULAS

ID	DESCRIPTION	CABINET TYPE	OPENING FORMULA
CW	Cabinet Width		
CH	Cabinet Height		
FFH	Front Frame Height		
OH	Opening Height		
OW	Opening Width		
DOH	Door Opening Height		
DOW	Door (Drawer) Opening Width	Single Door	$CW - 3" = DOW$
	Door (Drawer) Opening Width	Double Butt Door	$CW - 3" = DOW$ (For 2 Doors)
	Door (Drawer) Opening Width	Double Door w/Post	$(CW - 6") \div 2 = DOW$
DOH	Door Opening Height	Door and Drawer Cabinet	$CH - 9-1/4" = DOH$
	Door Opening Height	Full Height Door Base	$CH - 7-1/2" = DOH$

### OFFICE & ENTERTAINMENT CENTER DOOR DIMENSIONS CALCULATOR – WIDTH

DOOR TYPE	DESCRIPTION OF DOOR TYPE	CABINET TYPE	DOOR DIMENSION FORMULA
FODW	Full Overlay Door Width (1/4" Reveal)	1 and 2 Door Bases	$DOW + 2-1/2" = FODW$
		Butt Door Bases	$(DOW + 2-7/16") \div 2 = FODW$
SODW	Standard Overlay Door Width	1 and 2 Door Bases	$DOW + 1" = SODW$
		Butt Door Bases	$(DOW + 15/16") \div 2 = SODW$

DECIMAL EQUIVALENT CHART LOCATED ON PAGE 2.5.

### OFFICE & ENTERTAINMENT CENTER DOOR DIMENSIONS CALCULATOR – HEIGHT

DOOR TYPE	DESCRIPTION OF DOOR TYPE	CABINET TYPE	DOOR DIMENSION FORMULA
FODH	Full Overlay Door Height (1/4" Reveal)	Standard Drwr and Door	$DOH + 2-1/4" = FODH$
		Full Height Door	$DOH + 2-1/2" = FODH$
SODH	Standard Overlay Door Height	Standard Drwr and Door	$DOH + 7/8" = SODH$
		Full Height Door	$DOH + 1" = SODH$

### DRAWER HEAD DIMENSIONS CALCULATOR – WIDTH

DOOR TYPE	DESCRIPTION OF DOOR TYPE	CABINET TYPE	DOOR DIMENSION FORMULA
FODW	Full Overlay Door Width (1/4" Reveal)	All Base Cabinets	$DOW + 2-1/2" = FODW$
SODW	Standard Overlay Door Width	All Base Cabinets	$DOW + 1" = SODW$

DECIMAL EQUIVALENT CHART LOCATED ON PAGE 2.5

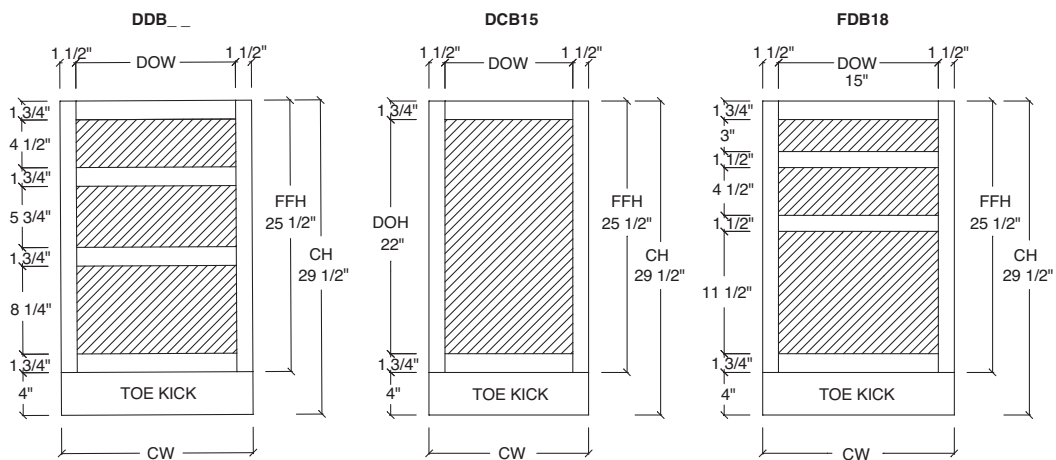
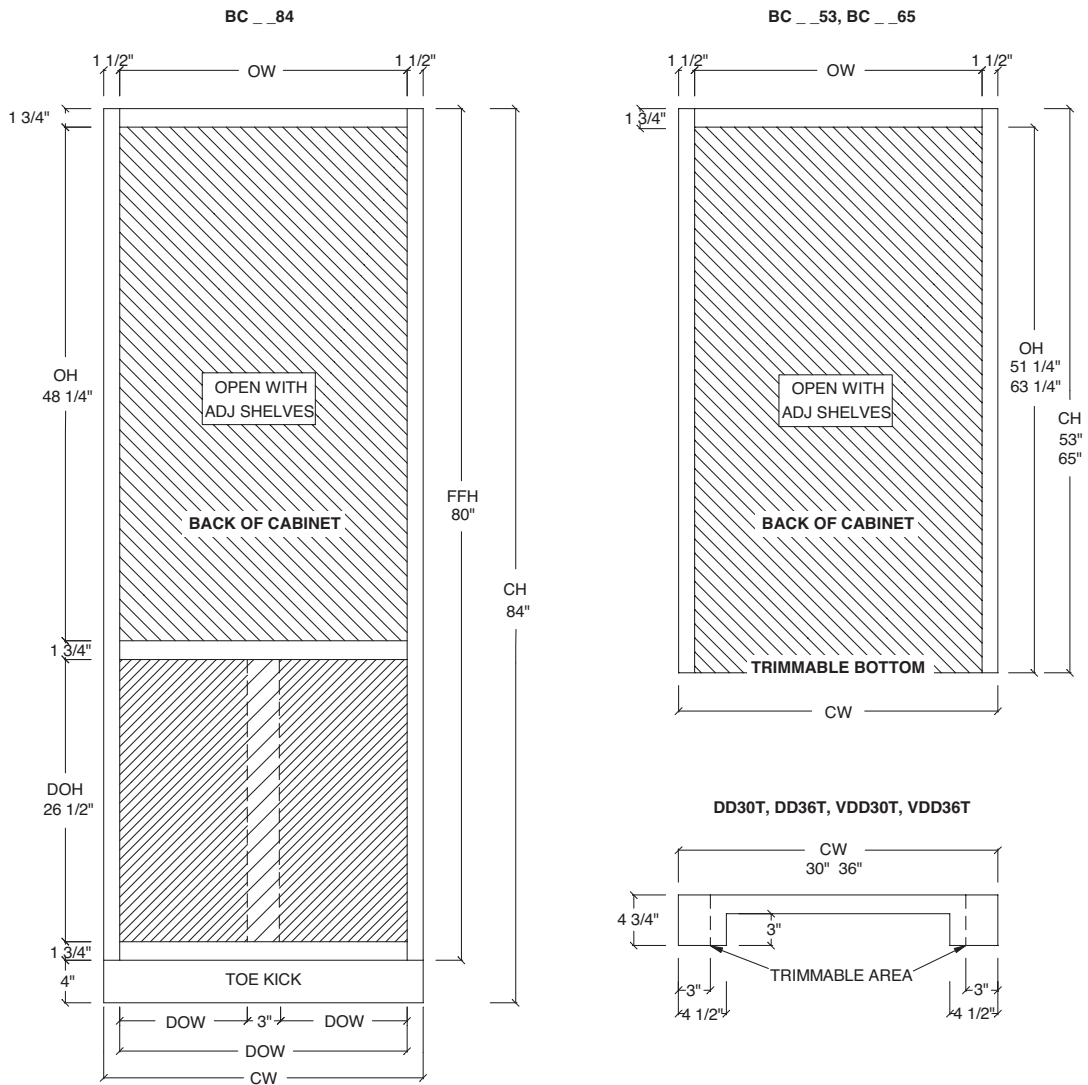
### DRAWER HEAD DIMENSIONS CALCULATOR – HEIGHT

DOOR TYPE	DESCRIPTION OF DOOR TYPE	CABINET TYPE	DOOR DIMENSION FORMULA
FODH	Full Overlay Door Height (1/4" Reveal)	Top Drawers	$DOH + 1-3/4" = FODH$
		Bottom Drawers	
SODH	Standard Overlay Door Height	All Drawers	$DOH + 1/2" = SODH$

### DRAWER HEAD SIZE EXCEPTIONS

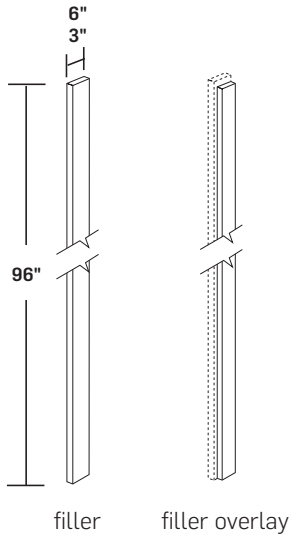
CABINET TYPE	DESCRIPTION OF CABINET	FOD	SOD
FDB18 Top Drawer	File Drawer Base Desk Cabinet	17-1/2" x 4-1/2"	16" x 3-1/2"
FDB18 Bottom Drawer	File Drawer Base Desk Cabinet	17-1/2" x 13"	16" x 12"

## OFFICE CABINET FRONT FRAMES



# MOLDINGS AND PANELS





**96", 93", 90" and 84" HIGH UTILITY CABINET FILLERS AND FILLER OVERLAYS**

- Overlay is for use with Full Overlay door styles only
- Overlay is shipped loose for field installation to filler
- Order UF396 or UF696 as backplate to filler overlay
- **Cherry fillers are not available in UF\_\_PLY**
- Fillers are finished on face only
- Filler overlays are finished on all sides
- **Use Finished Edge Straight Valances (page 9.27) for use in molding buildups and other applications requiring finished edges**

PAPER WRAPPED
■ BIRCH
■ CHERRY
+ LAMINATE
■ MAPLE
■ OAK

**3/4" thick Plywood Fillers**

**NEW** UF396PLY

**NEW** UF696PLY

**3/4" thick Solid Fillers**

UF396S

UF696S

**3/4" thick Filler Overlays**

OUF396 2-1/2" w x 91" h

OUF696 5-1/2" w x 91" h

**NEW** OUF393 2-1/2" w x 88" h

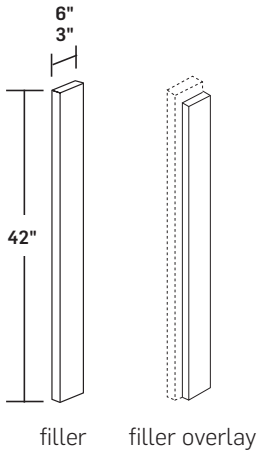
**NEW** OUF693 5-1/2" w x 88" h

OUF390 2-1/2" w x 85" h

OUF690 5-1/2" w x 85" h

OUF384 2-1/2" w x 79" h

OUF684 5-1/2" w x 79" h



**42", 39", and 36" WALL CABINET FILLERS AND FILLER OVERLAYS**

- Overlay is for use with Full Overlay door styles only
- Overlay is shipped loose for field installation to filler
- Order UF342 or UF642 as backplate to filler overlay
- **Cherry fillers are not available in UF\_\_PLY**
- Fillers are finished on face only
- Filler overlays are finished on all sides
- **Use Finish Edge Straight Valances (page 9.27) for use in molding build-ups and other applications requiring finished edges**

PAPER WRAPPED	
■	BIRCH
■	CHERRY
+	LAMINATE
■	MAPLE
■	OAK

**3/4" thick Plywood Fillers**

- NEW** UF342PLY
- NEW** UF642PLY

**3/4" thick Solid Fillers**

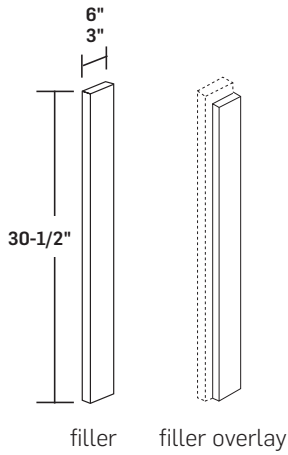
- UF342S
- UF642S

**3/4" thick Filler Overlays**

- OUF342 2-1/2" w x 41" h
- OUF642 5-1/2" w x 41" h
- NEW** OUF339 2-1/2" w x 38" h
- NEW** OUF639 5-1/2" w x 38" h
- OUF336 2-1/2" w x 35" h
- OUF636 5-1/2" w x 35" h

**3/4" thick Blind Wall Filler Overlays**

- OBLWF342 2-3/4" w x 41" h
- OBLWF642 5-3/4" w x 41" h
- NEW** OBLWF339 2-3/4" w x 38" h
- NEW** OBLWF639 5-3/4" w x 38" h
- OBLWF336 2-3/4" w x 35" h
- OBLWF636 5-3/4" w x 35" h



**UNIVERSAL CABINET FILLERS AND FILLER OVERLAYS**

- Overlay is for use with Full Overlay door styles only
- Overlay is shipped loose for field installation to filler
- Order UF3 or UF6 as backplate to filler overlay
- Trim UF3 or UF6 fillers to 30" high for 30" high wall cabinet installation
- **Cherry fillers are not available in UF\_PLY**
- Fillers are finished on face only
- Filler overlays are finished on all sides
- **Use Finished Edge Straight Valances (page 9.27) for use in molding buildups and other applications requiring finished edges**

PAPER WRAPPED
■ BIRCH
■ CHERRY
+ LAMINATE
■ MAPLE
■ OAK

**3/4" thick Plywood Fillers**

- NEW** UF3PLY
- NEW** UF6PLY

**3/4" thick Solid Fillers**

- UF3S
- UF6S

**3/4" thick Filler Overlays**

- OWF3            2-1/2" w x 29" h
- OWF6            5-1/2" w x 29" h

**3/4" thick Blind Wall Filler Overlays**

- OBLWF3        2-3/4" w x 29" h
- OBLWF6        5-3/4" w x 29" h



**27" and 21" HIGH WALL CABINET FILLER OVERLAYS**

- Overlay is for use with Full Overlay door styles only
- Overlay is shipped loose for field installation to filler
- Order UF3 (trimmable) for backplate to filler overlay
- Finished on all sides

OWF321      2-1/2" w x 20" h  
 OWF327      2-1/2" w x 26" h

PAPER WRAPPED
BIRCH
■ CHERRY
■ LAMINATE
■ MAPLE
OAK



**24" HIGH WALL CABINET FILLER OVERLAYS**

- Overlay is for use with Full Overlay door styles only
- Overlay is shipped loose for field installation to filler
- Order UF3 or UF6 (trimmable) for backplate to filler overlay
- Finished on all sides

**3/4" thick Filler Overlay**

OWF324      2-1/2" w x 23" h  
 OWF624      5-1/2" w x 23" h

**3/4" thick Blind Wall Filler Overlay**

OBLWF324    2-3/4" w x 23" h  
 OBLWF624    5-3/4" w x 23" h

PAPER WRAPPED
BIRCH
■ CHERRY
■ LAMINATE
■ MAPLE
OAK



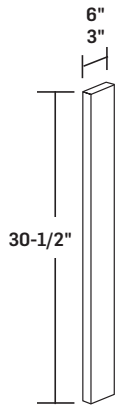
**18" and 15" HIGH WALL CABINET FILLER OVERLAYS**

- Overlay is for use with Full Overlay door styles only
- Overlay is shipped loose for field installation to filler
- Order UF3 (trimmable) for backplate to filler overlay
- Finished on all sides

OWF315      2-1/2" w x 14" h  
 OWF318      2-1/2" w x 17" h

PAPER WRAPPED
BIRCH
■ CHERRY
■ LAMINATE
■ MAPLE
OAK



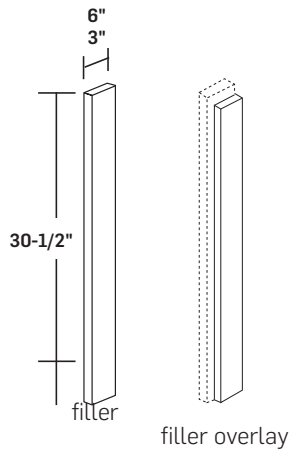


**BASE CABINET FILLER PULL-OUTS**

- Meant to be used with base cabinet filler pull-outs
- CCUF3S is used with 434BF3SS and 432BF3CARM (see page 10.7)
- CCUF6S is used with 434BF6SS and 432BF6CARM (see page 10.7)
- Filler shipped loose for field installation to the above pull-out accessories
- For Full Overlay door styles order OBF3 or OBF6 filler overlay to install in front of CCUF3S and CCUF6S
- Solid oak, maple, cherry, or birch lumber
- Finished on all sides

PAPER WRAPPED
■ BIRCH
■ CHERRY
LAMINATE
■ MAPLE
■ OAK

CCUF3S  
CCUF6S



**BASE CABINET FILLERS AND FILLER OVERLAYS**

- Overlay is for use with Full Overlay door styles only
- Overlay is shipped loose for field installation to filler
- Order UF3 or UF6 (trimmable) for backplate to filler overlay
- **Cherry fillers are not available in UF\_PLY**
- Fillers are finished on face only
- Filler overlays are finished on all sides

PAPER WRAPPED
■ BIRCH
■ CHERRY
+ LAMINATE
■ MAPLE
■ OAK

**3/4" thick Plywood Fillers**

- NEW** UF3PLY
- NEW** UF6PLY

**3/4" thick Solid Fillers**

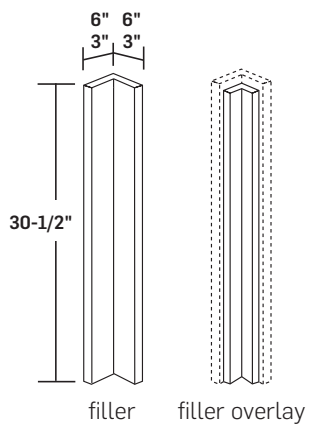
- UF3S
- UF6S

**3/4" thick Filler Overlays**

- OBF3            2-1/2" w x 29-1/2" h
- OBF6            5-1/2" w x 29-1/2" h

**3/4" thick Blind Base Filler Overlays**

- OBLBF3        2-3/4" w x 29-1/2" h
- OBLBF6        5-3/4" w x 29-1/2" h



## BASE CABINET CORNER FILLERS AND CORNER FILLER OVERLAYS

- Overlay is for use with Full Overlay door styles only
- Overlay is shipped loose for field installation to filler
- Order BCF3x3\_\_\_ or BCF6x6\_\_\_ as backplate to filler overlay
- **Cherry fillers are not available in BCF\_\_\_PLY**
- Fillers are finished on face only
- Filler overlays are finished on all sides

PAPER WRAPPED
■ BIRCH
■ CHERRY
+ LAMINATE
■ MAPLE
■ OAK

### Plywood Fillers

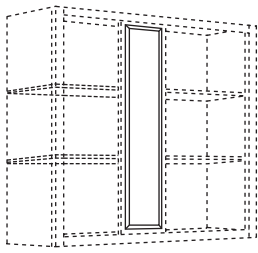
- NEW** BCF3x3PLY
- NEW** BCF6x6PLY

### Solid Fillers (solid oak or birch)

- BCF3x3S
- BCF6x6S

### Filler Overlays

- OBCF3x3      2-3/4" w x 29-1/2" h
- OBCF6x6      5-3/4" w x 29-1/2" h

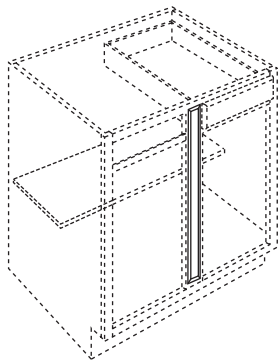


**BLIND WALL CABINET FILLER OVERLAY**

- Filler overlay shipped loose for field installation on Blind Wall Cabinet
- For Full Overlay door styles only
- Finished on all sides

OBLW24	5-1/2" w x 23" h
OBLW30	5-1/2" w x 29" h
OBLW36	5-1/2" w x 35" h
<b>NEW</b> OBLW39	5-1/2" w x 38" h
OBLW42	5-1/2" w x 41" h

PAPER WRAPPED
BIRCH
■ CHERRY
■ LAMINATE
■ MAPLE
OAK



**BLIND BASE CABINET FILLER OVERLAY**

- Filler overlay shipped loose for field installation on Blind Base Cabinet
- For Full Overlay door styles only
- Finished on all sides

OBLB	5-1/2" w x 29-1/2" h
------	----------------------

PAPER WRAPPED
BIRCH
■ CHERRY
■ LAMINATE
■ MAPLE
OAK



**DESK DRAWER FILLER OVERLAY**

- Full Overlay styles only
- Finished on all sides

OVF3x29	2-1/2" w x 24-1/2" h
---------	----------------------

PAPER WRAPPED
BIRCH
■ CHERRY
■ LAMINATE
■ MAPLE
OAK



**VANITY FILLER OVERLAYS**

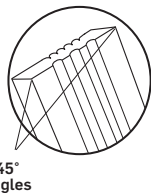
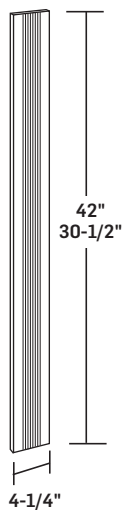
- Full Overlay styles only
- For filler backplate order UF3 or UF6 (trimmable)
- Finished on all sides

OVF3	2-1/2" w x 27-1/2" h
OVF6	5-1/2" w x 27-1/2" h

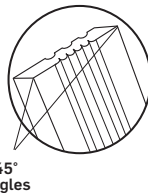
PAPER WRAPPED
BIRCH
■ CHERRY
■ LAMINATE
■ MAPLE
OAK

**FLUTED OR BEADED ANGLE FILLERS**

- Solid maple or cherry
- Maple is used when ordering birch door styles
- 3/4" thick
- 45° angles on sides
- Pull cabinet 3" forward

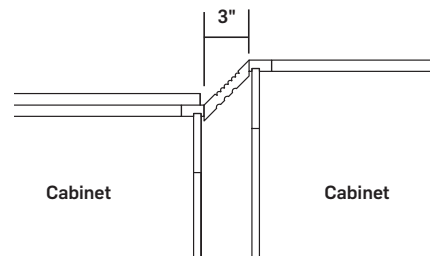


**FLUTED**  
FAF530S  
FAF542S



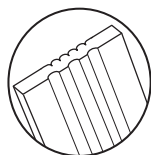
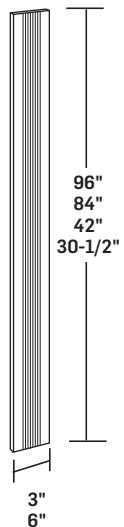
**BEADED**  
BAF530S  
BAF542S

PAPER WRAPPED
BIRCH
■ CHERRY
LAMINATE
■ MAPLE
OAK

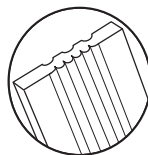


**3" AND 6" FLUTED OR BEADED FILLERS**

- Solid maple or cherry
- Maple is used when ordering birch door styles
- 3/4" thick

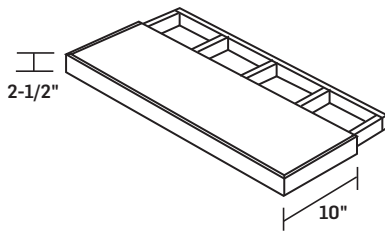


**FLUTED**  
FF330S  
FF342S  
FF396S  
FF630S  
FF642S  
FF696S



**BEADED**  
BF330S  
BF342S  
BF396S  
BF630S  
BF642S  
BF696S

PAPER WRAPPED
BIRCH
■ CHERRY
LAMINATE
■ MAPLE
OAK



### FLOATING SHELVES

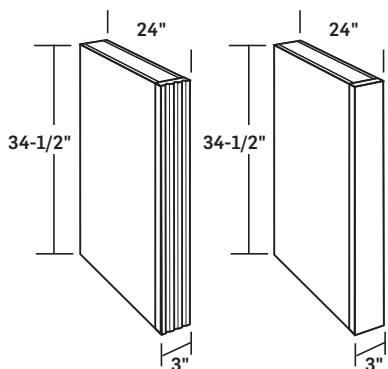
- Solid maple or cherry outer shelf
- Maple is used when ordering birch, painted, or thermofoil door styles
- Each Floating Shelf consists of an inner support frame and outer shelf that slides into place over the support frame. **These two elements are not available individually.**
- Support frame must be mounted to two or more wall studs using four or more coarse thread screws at least 2-1/2" in length
- Finished on all exposed faces
- Not available with glaze detailing

PAPER WRAPPED
BIRCH
■ CHERRY
LAMINATE
■ MAPLE
OAK

FS30  
 FS36  
 FS42

**INSTALLATION TIP:**

Once the floating shelf is fully installed, it is recommended the shelf be secured to the support frame using headless pins or small finishing nails so the shelf cannot inadvertently slide off the support frame.



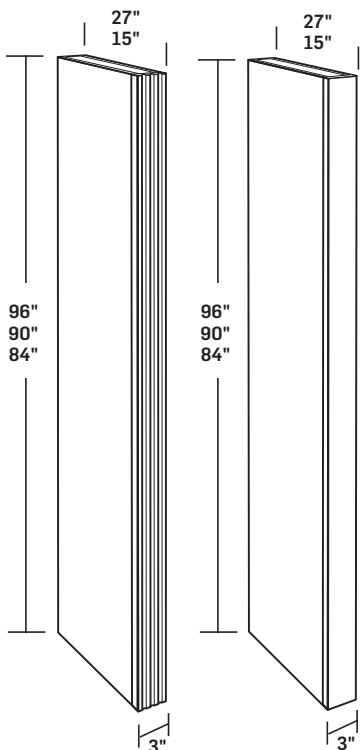
## FLUTED OR PLAIN BASE COLUMNS

- Maple is used when ordering birch, painted, or thermofoil door styles
- Trimmable
- Filler box comes in oak, maple, or cherry veneer
- Finished on face and sides
- Plain column not available with glaze detailing

**FLUTED**  
BFC32434

**PLAIN**  
BPC32434

PAPER WRAPPED
BIRCH
■ CHERRY
LAMINATE
■ MAPLE
■ OAK



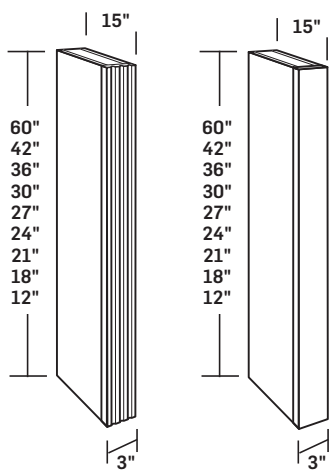
## FLUTED OR PLAIN TALL COLUMNS

- Maple is used when ordering birch, painted, or thermofoil door styles
- Trimmable
- Filler box comes in oak, maple, or cherry veneer
- Finished on face and sides
- Plain column not available with glaze detailing

**FLUTED**  
TFC31584  
TFC31590  
TFC31596  
TFC32784  
TFC32790  
TFC32796

**PLAIN**  
TPC31584  
TPC31590  
TPC31596  
TPC32784  
TPC32790  
TPC32796

PAPER WRAPPED
BIRCH
■ CHERRY
LAMINATE
■ MAPLE
■ OAK



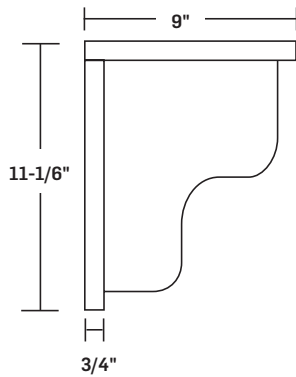
## FLUTED OR PLAIN WALL COLUMNS

- Maple is used when ordering birch, painted, or thermofoil door styles
- Trimmable
- Filler box comes in oak, maple, or cherry veneer
- Finished on face and sides
- Plain column not available with glaze detailing

**FLUTED**  
WFC31512  
WFC31515  
WFC31518  
WFC31521  
WFC31524  
WFC31527  
WFC31530  
WFC31536  
WFC31542  
WFC31560

**PLAIN**  
WPC31512  
WPC31515  
WPC31518  
WPC31521  
WPC31524  
WPC31527  
WPC31530  
WPC31536  
WPC31542  
WPC31560

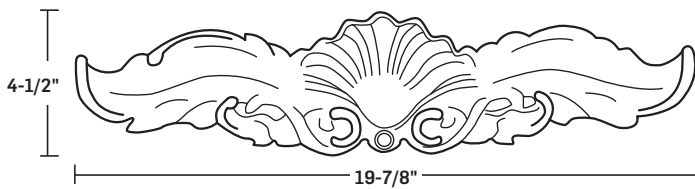
PAPER WRAPPED
BIRCH
■ CHERRY
LAMINATE
■ MAPLE
■ OAK

**COUNTER SUPPORT**

- Maple is used when ordering birch, painted, or thermofoil door styles
- Front of counter support is 2-1/4" wide

CS

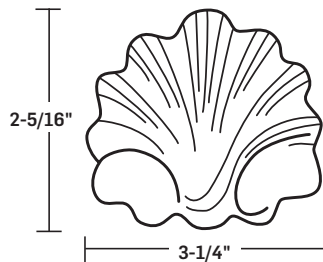
PAPER WRAPPED
BIRCH
■ CHERRY
LAMINATE
■ MAPLE
■ OAK

**DECORATIVE ONLAY APPLIQUE**

- Maple is used when ordering birch, painted, or thermofoil door styles
- Attach using small brad

DOA

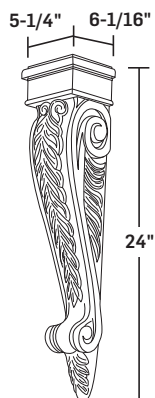
PAPER WRAPPED
BIRCH
■ CHERRY
LAMINATE
■ MAPLE
OAK

**SHELL APPLIQUE**

- Maple is used when ordering birch, painted, or thermofoil door styles
- Attach using small brad

SOA

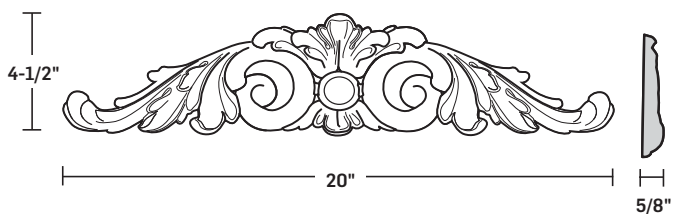
PAPER WRAPPED
BIRCH
■ CHERRY
LAMINATE
■ MAPLE
OAK

**ACANTHUS CORBEL LARGE**

- Maple is used when ordering birch, painted, or thermofoil door styles
- Mounting hardware included

ACL

PAPER WRAPPED
BIRCH
■ CHERRY
LAMINATE
■ MAPLE
OAK

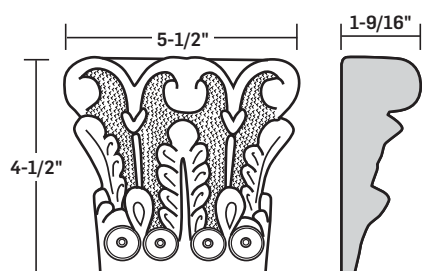


**ACANTHUS ONLY**

- Maple is used when ordering birch, painted, or thermofoil door styles
- Attach using small brad
- 5/8" thick

ASO

PAPER WRAPPED
BIRCH
■ CHERRY
LAMINATE
■ MAPLE
■ OAK

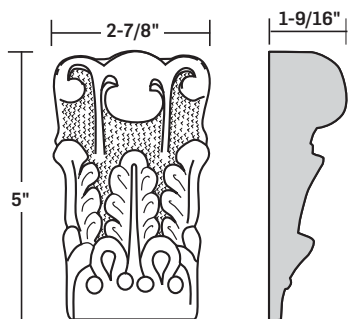


**MEDIUM ACANTHUS CAPITAL**

- Maple is used when ordering birch, painted, or thermofoil door styles
- Attach using small brad
- 1-9/16" thick

MASC

PAPER WRAPPED
BIRCH
■ CHERRY
LAMINATE
■ MAPLE
■ OAK

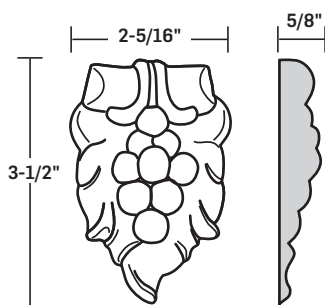


**TALL ACANTHUS CAPITAL**

- Maple is used when ordering birch, painted, or thermofoil door styles
- Attach using small brad
- 1-9/16" thick

TASC

PAPER WRAPPED
BIRCH
■ CHERRY
LAMINATE
■ MAPLE
■ OAK



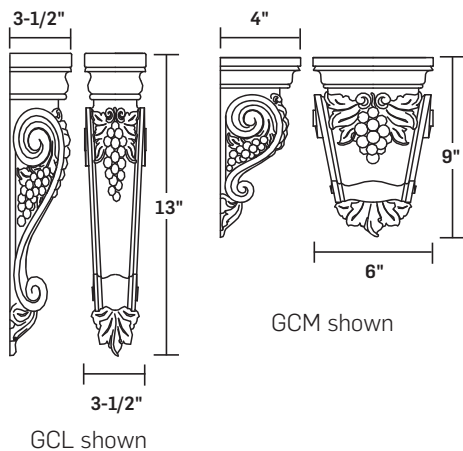
**SMALL GRAPE ORNAMENT**

- Maple is used when ordering birch, painted, or thermofoil door styles
- Attach using small brad
- 5/8" thick

SGO

PAPER WRAPPED
BIRCH
■ CHERRY
LAMINATE
■ MAPLE
OAK





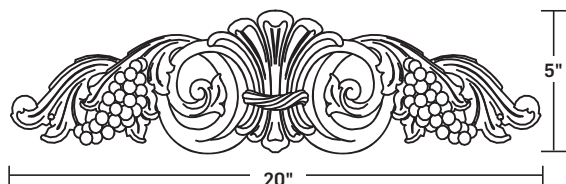
**GRAPE CORBELS**

- Maple is used when ordering birch, painted, or thermofoil door styles
- Mounting hardware included

GCL

GCM

PAPER WRAPPED
BIRCH
■ CHERRY
LAMINATE
■ MAPLE
OAK

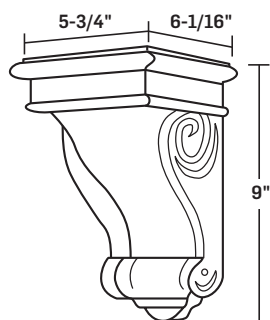


**GRAPE DECORATIVE ONLAY**

- Maple is used when ordering birch, painted, or thermofoil door styles
- 5/8" thick
- Attach using small brad

GDO20

PAPER WRAPPED
BIRCH
■ CHERRY
LAMINATE
■ MAPLE
OAK

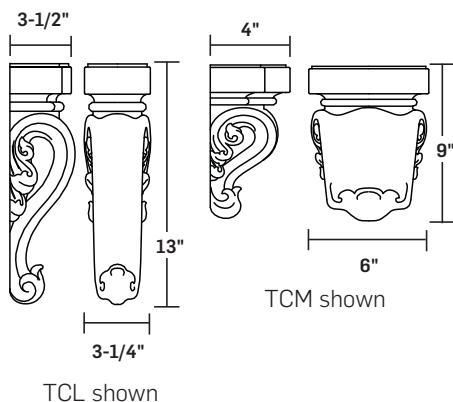


**CARVED CORBEL**

- Maple is used when ordering birch, painted, or thermofoil door styles
- Mounting hardware included

CC9

PAPER WRAPPED
BIRCH
■ CHERRY
LAMINATE
■ MAPLE
OAK



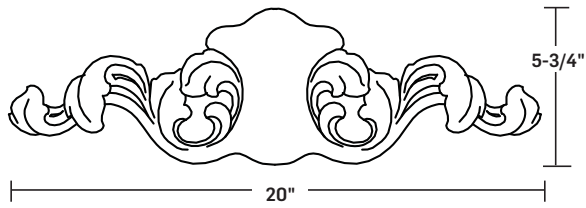
**TRADITIONAL CORBELS**

- Maple is used when ordering birch, painted, or thermofoil door styles.
- Mounting hardware included

TCL

TCM

PAPER WRAPPED
BIRCH
■ CHERRY
LAMINATE
■ MAPLE
OAK

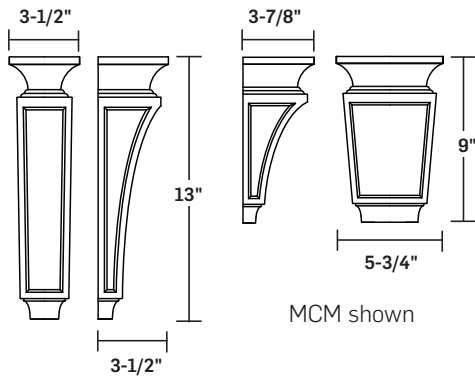


**TRADITIONAL DECORATIVE ONLAY**

- Maple is used when ordering birch, painted, or thermofoil door styles
- 1-1/2" thick
- Attach using small brad

TDO20

PAPER WRAPPED
BIRCH
■ CHERRY
LAMINATE
■ MAPLE
OAK



**MISSION CORBELS**

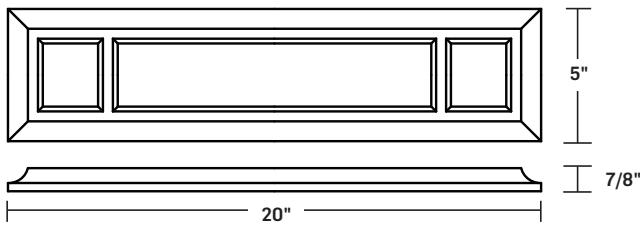
- Maple is used when ordering birch, painted, or thermofoil door styles
- Mounting hardware included

MCL

MCM

MCL shown

PAPER WRAPPED
BIRCH
■ CHERRY
LAMINATE
■ MAPLE
OAK

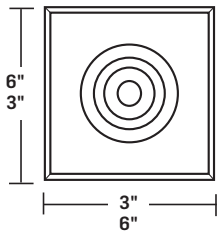


**MISSION DECORATIVE ONLAY**

- Maple is used when ordering birch, painted, or thermofoil door styles
- 7/8" thick
- Attach using small brad

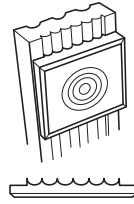
MD020

PAPER WRAPPED
BIRCH
■ CHERRY
LAMINATE
■ MAPLE
OAK

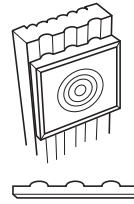


### 3" and 6" ROSETTE BLOCK

- Maple is used when ordering birch, painted, or thermofoil door styles
- "B" for exposed beaded side
- "F" for exposed fluted side

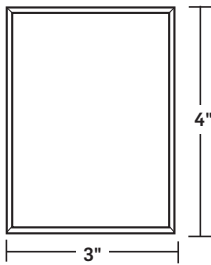


**Beaded Block**  
BRB3x3  
BRB6x6



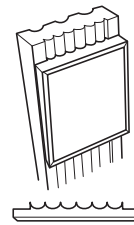
**Fluted Block**  
FRB3x3  
FRB6x6

PAPER WRAPPED
BIRCH
■ CHERRY
LAMINATE
■ MAPLE
OAK

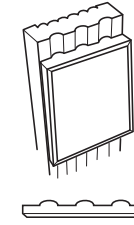


### 3" PLINTH BLOCK

- Maple is used when ordering birch, painted, or thermofoil door styles
- "B" for exposed beaded side
- "F" for exposed fluted side
- Not available with glaze detailing

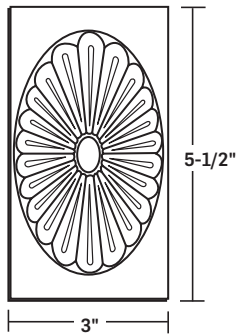


**Beaded Block**  
BP3x4



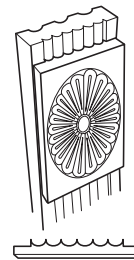
**Fluted Block**  
FP3x4

PAPER WRAPPED
BIRCH
■ CHERRY
LAMINATE
■ MAPLE
OAK

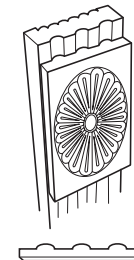


### 3" ASTER BLOCK

- Maple is used when ordering birch, painted, or thermofoil door styles
- "B" for exposed beaded side
- "F" for exposed fluted side

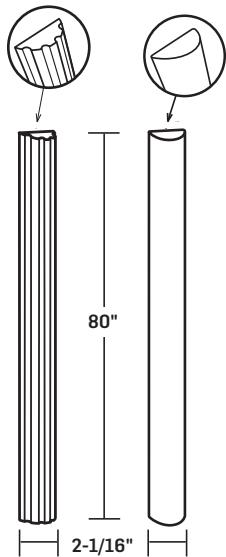


**Beaded Block**  
BA3x6



**Fluted Block**  
FA3x6

PAPER WRAPPED
BIRCH
■ CHERRY
LAMINATE
■ MAPLE
OAK



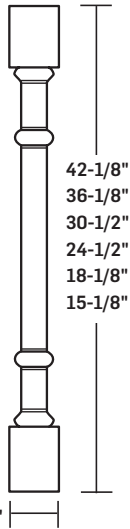
**FLUTED OR PLAIN SPLIT POSTS**

- Maple is used when ordering birch, painted, or thermofoil door styles
- 3/4" thick x 2-1/16" wide
- Install split posts up against a 3" filler
- Plain post not available with glaze detailing

SPLT80F

SPLT80P

PAPER WRAPPED
BIRCH
■ CHERRY
LAMINATE
■ MAPLE
■ OAK

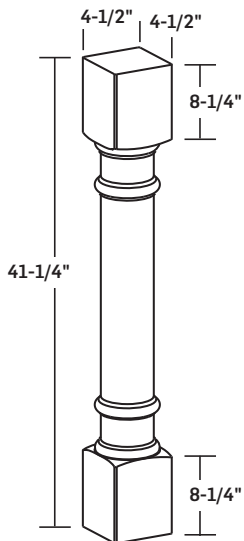


**TRADITIONAL SPLIT POSTS**

- Maple is used when ordering birch, painted, or thermofoil door styles
- 3/4" thick
- Install split posts up against a 3" filler

TSP15	(15 1/8" H)
TSP18	(18 1/8" H)
TSP24	(24 1/2" H)
TSP30	(30 1/2" H)
TSP36	(36 1/8" H)
TSP42	(42 1/8" H)

PAPER WRAPPED
BIRCH
■ CHERRY
LAMINATE
■ MAPLE
OAK

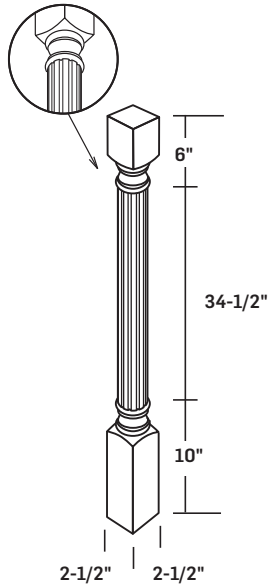


**ROMAN SPINDLE**

- Maple is used when ordering birch, painted, or thermofoil door styles
- 4-1/2" x 4-1/2" thick

RSP42

PAPER WRAPPED
BIRCH
■ CHERRY
LAMINATE
■ MAPLE
■ OAK

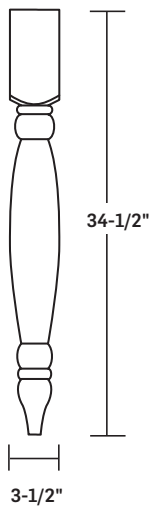


**BASE FLUTED LEG**

- Maple is used when ordering birch, painted, or thermofoil door styles
- 2-1/2" x 2-1/2" thick

BFL34

PAPER WRAPPED
BIRCH
■ CHERRY
LAMINATE
■ MAPLE
■ OAK

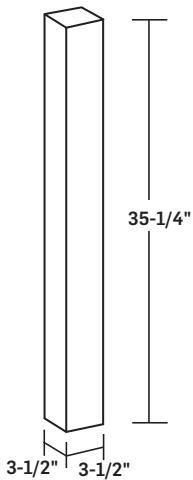


**BASE TURNED LEG**

- Maple is used when ordering birch, painted, or thermofoil door styles
- 34 1/2" high, trimmable to 28 1/2" high
- 3 1/2" x 3 1/2" square

BTL34

PAPER WRAPPED
BIRCH
■ CHERRY
LAMINATE
■ MAPLE
OAK

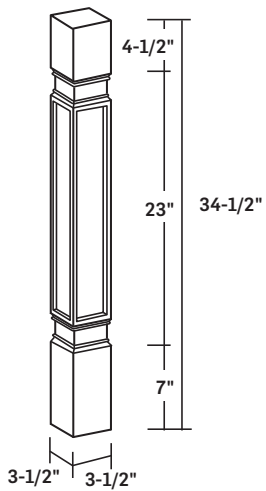


**BASE STRAIGHT LEG**

- Maple is used when ordering birch, painted, or thermofoil door styles
- 35-1/4" high, trimmable to 28-1/2" high
- 3-1/2" x 3-1/2" thick
- Not available with glaze detailing

BSL35

PAPER WRAPPED
BIRCH
■ CHERRY
LAMINATE
■ MAPLE
OAK

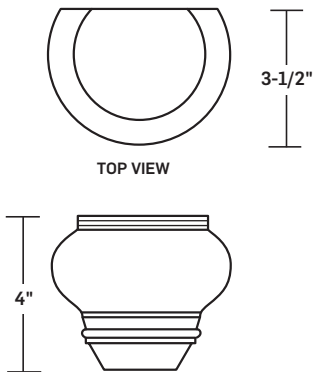


**BASE SHAKER LEG**

- Maple is used when ordering birch, painted, or thermofoil door styles
- 34-1/2" high, trimmable to 28-1/2" high
- 3-1/2" x 3-1/2" square

BSHL34

PAPER WRAPPED
BIRCH
■ CHERRY
LAMINATE
■ MAPLE
■ OAK

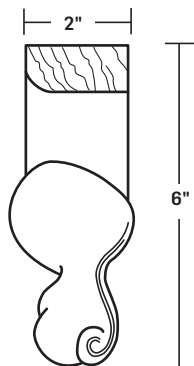


**ACCENT TURNED LEG**

- Maple is used when ordering birch, painted, or thermofoil door styles
- Designed as Toe Kick accent
- Trimmable

ATL

PAPER WRAPPED
BIRCH
■ CHERRY
LAMINATE
■ MAPLE
OAK

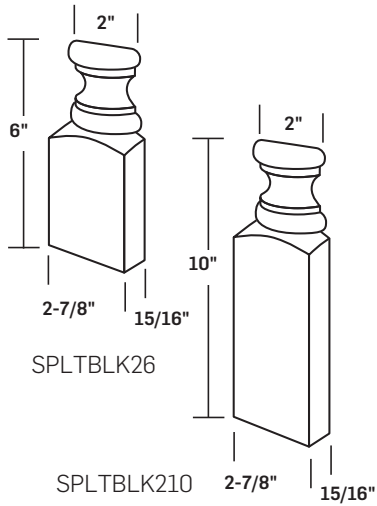


**FRENCH CARVED LEG**

- Maple is used when ordering birch, painted, or thermofoil door styles
- Trimmable

FCL6

PAPER WRAPPED
BIRCH
■ CHERRY
LAMINATE
■ MAPLE
OAK



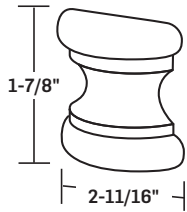
**SPLIT BLOCKS**

- Maple is used when ordering birch, painted, or thermofoil door styles
- 15/16" thick
- For use with SPLT80F or SPLT80P (see page 9.16)

SPLTBK26

SPLTBK210

PAPER WRAPPED
BIRCH
■ CHERRY
LAMINATE
■ MAPLE
■ OAK

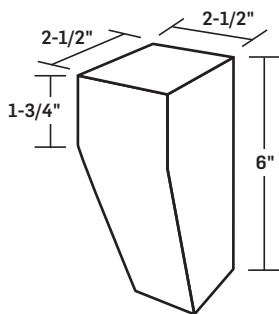


**SPLIT COLLAR**

- Maple is used when ordering birch, painted, or thermofoil door styles
- 3/4" thick
- For use with SPLT80F or SPLT80P (see page 9.16)

SPLTCLR

PAPER WRAPPED
BIRCH
■ CHERRY
LAMINATE
■ MAPLE
■ OAK

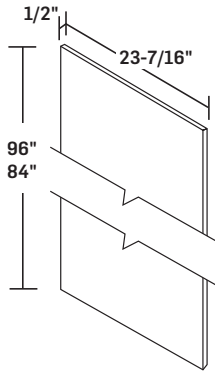


**TAPERED SHAKER LEG**

- Maple is used when ordering birch, painted, or thermofoil door styles
- Trimmable
- Not available with glaze detailing

TPL

PAPER WRAPPED
BIRCH
■ CHERRY
LAMINATE
■ MAPLE
■ OAK



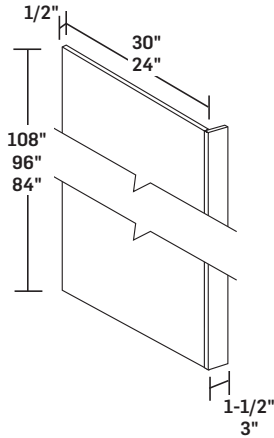
**96" AND 84" HIGH UTILITY FRONT RETURNS**

- Laminate on composite panel for Premier construction  
Laminate on plywood for AllWood and Pinnacle construction
- No holes bored for shelf clips
- Finished on both faces; edges not finished
- Available in maple, cherry, or oak plywood with MPE optional upgrade
- Available with finished interior optional upgrade
- Not available with glaze detailing

PAPER WRAPPED
BIRCH
CHERRY
LAMINATE
MAPLE
OAK

**96" High**  
UCFRx96

**84" High**  
UCFR



**108", 96" or 84" HIGH REFRIGERATOR END PANEL**

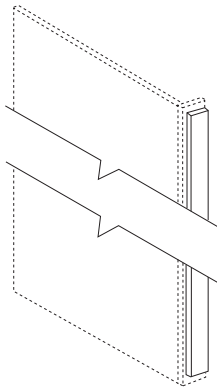
- Laminate on composite panel for Premier construction  
Laminate on plywood for AllWood and Pinnacle construction
- Reversible
- No holes bored for shelf clips
- Available with finished interior optional upgrade
- Available in maple, cherry, or oak plywood with MPE optional upgrade
- Available with finished interior optional upgrade
- Not available with glaze detailing

PAPER WRAPPED
BIRCH
CHERRY
LAMINATE
MAPLE
OAK

**108" High**  
REP1.5x108x30 (30" deep)  
REPx108x30 (30" deep)  
REP1.5x108  
REPx108

**96" High**  
REP1.5x96x30 (30" deep)  
REPx96x30 (30" deep)  
REP1.5x96  
REPx96

**84" High**  
REP1.5x30 (30" deep)  
REPx30 (30" deep)  
REP1.5  
REP



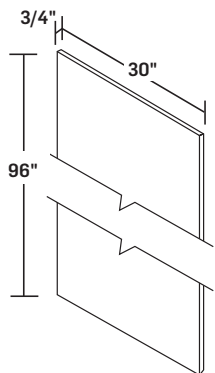
**REFRIGERATOR END PANEL OVERLAYS**

- Full Overlay styles only
- Overlay is shipped loose for field installation
- This product designed to be used with REP, REPx96, and REPx108

PAPER WRAPPED
BIRCH
■ CHERRY
■ LAMINATE
■ MAPLE
OAK

**NEW**

OREPx108 2-1/2" w x 107" h  
 OREPx96 2-1/2" w x 95" h  
 OREPx93 2-1/2" w x 92" h  
 OREPx90 2-1/2" w x 89" h  
 OREP 2-1/2" w x 83" h



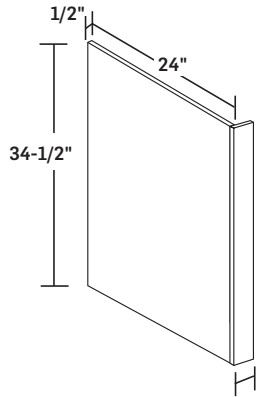
**UNIVERSAL REFRIGERATOR END PANEL**

- Available in oak, maple, cherry veneer or white laminate exterior on composite panel
- No holes bored for shelf clips
- Trimmable height and depth
- Side edges are edgebanded with matching wood veneer or white laminate
- Finished and edgebanded on all sides
- Not available with glaze detailing

PAPER WRAPPED
BIRCH
CHERRY
LAMINATE
MAPLE
OAK

UREP





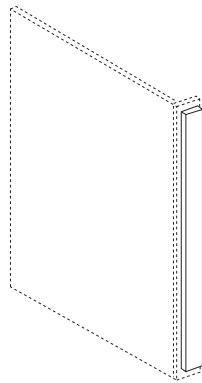
1", 1-1/2", 3" or 6"

### DISHWASHER END PANELS

- Laminate on composite panel for Premier construction
- Birch veneer plywood for AllWood and Pinnacle construction
- Reversible
- Not available with glaze detailing

DWR1  
DWR1.5  
DWR3  
DWR6

PAPER WRAPPED
BIRCH
CHERRY
LAMINATE
MAPLE
OAK

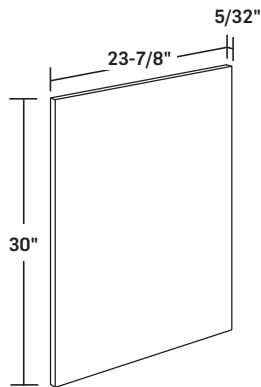


### DISHWASHER END PANEL OVERLAY

- Full Overlay styles only
- Overlay is shipped loose for field installation
- Order DWR3 as backplate to filler overlay

ODWR3      2-1/2" w x 33-1/2" h

PAPER WRAPPED
BIRCH
■ CHERRY
■ LAMINATE
■ MAPLE
OAK

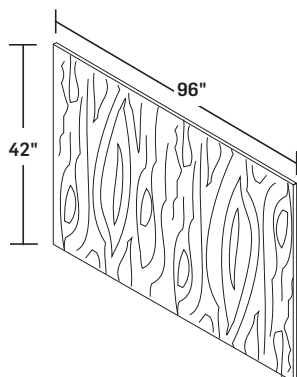


### DISHWASHER INSERT PANEL

- Available in oak, maple, and cherry veneer plywood (long grained) that is 5/32" thick
- Not available with glaze detailing

DIP

PAPER WRAPPED
BIRCH
■ CHERRY
LAMINATE
■ MAPLE
■ OAK

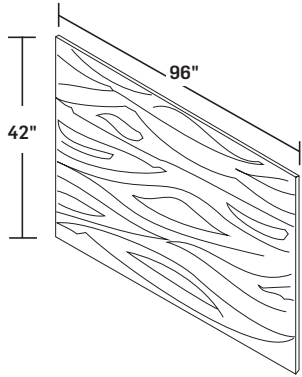


### 42" HIGH x 96" WIDE SHORT-GRAIN PANEL

- Available in oak, maple, and cherry veneer (short grained) or white laminate
- 1/4" thick
- Not available with glaze detailing

PLYS42X96

PAPER WRAPPED
BIRCH
■ CHERRY
■ LAMINATE
■ MAPLE
■ OAK

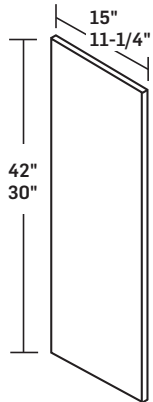


**96" HIGH x 42" WIDE LONG-GRAIN PANEL**

- Available in oak, maple, and cherry veneer (long grained) or white laminate
- 1/4" thick
- Not available with glaze detailing

PLYL42X96

PAPER WRAPPED
BIRCH
■ CHERRY
■ LAMINATE
■ MAPLE
■ OAK



**42" and 30" HIGH WALL CABINET END SKINS**

- VWES are available in oak, maple, or cherry veneer plywood that are 5/32" thick
- LWES are available in laminate on composite panel that is .10" thick
- Not available with glaze detailing

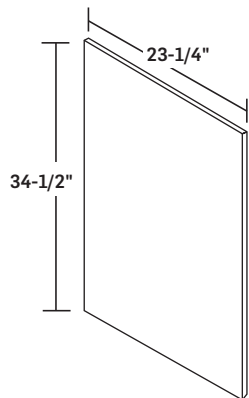
**42" High**

VWESx42  
VWES15x42  
LWESx42  
LWES15x42

**30" High**

VWES  
VWES15  
LWES  
LWES15

PAPER WRAPPED
BIRCH
+ CHERRY
LAMINATE
+ MAPLE
+ OAK



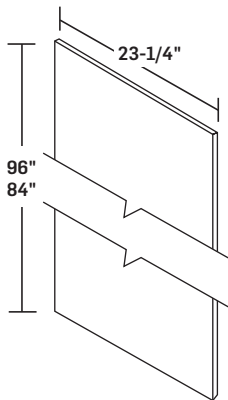
**BASE CABINET END SKINS**

- VBES are available in oak, maple, or cherry veneer plywood that are 5/32" thick
- LBES are available in laminate on composite panel that are .10" thick
- Not available with glaze detailing

VBES

LBES

PAPER WRAPPED
BIRCH
+ CHERRY
LAMINATE
+ MAPLE
+ OAK



**96" and 84" HIGH TALL CABINET END SKINS**

- VOVES are available in oak, maple or cherry veneer plywood that is 5/32" thick
- LTES are available in laminate on composite panel that are .10" thick
- Not available with glaze detailing

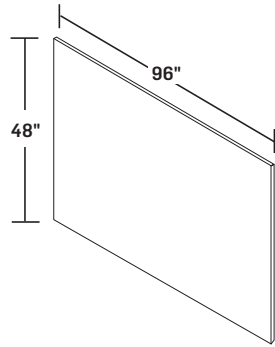
**96" High**

VOVESx96  
LTESx96

**84" High**

VOVES  
LTES

PAPER WRAPPED
BIRCH
+ CHERRY
LAMINATE
+ MAPLE
+ OAK

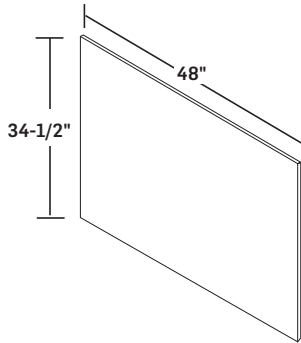


**FINISHED SKIN**

- Laminated finished skin
- Long-grained pattern
- .10" thick
- Not available with glaze detailing

FS4x8

PAPER WRAPPED
BIRCH
CHERRY
LAMINATE
MAPLE
OAK

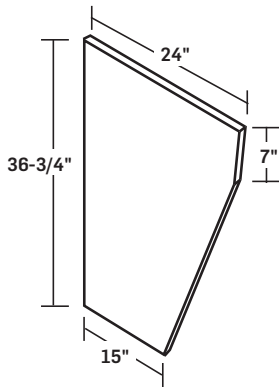


**PENINSULA BASE CABINET BACK PANEL**

- Available in oak, maple, or cherry veneer plywood or white laminate (short grained)
- 5/32" thick
- Not available with glaze detailing

PBP

PAPER WRAPPED
BIRCH
■ CHERRY
■ LAMINATE
■ MAPLE
■ OAK

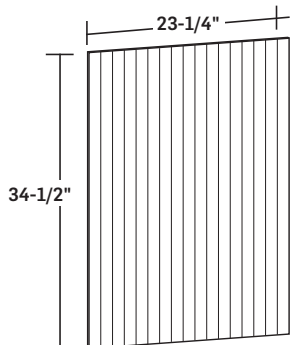


**DESK END PANEL**

- Available in oak, maple, or cherry veneer
- 1/2" thick
- Trimmable height and depth
- Not available with glaze detailing

DEP24

PAPER WRAPPED
BIRCH
■ CHERRY
LAMINATE
■ MAPLE
■ OAK

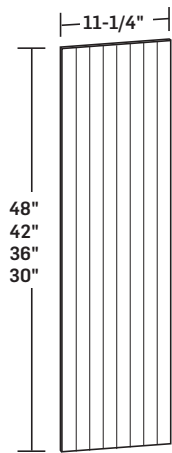


**BASE GROOVED END PANEL**

- Maple or cherry veneer plywood 5/32" thick
- Maple is used when ordering birch, painted, or thermofoil door styles
- Grooved 1-1/2" on center

BGE34

PAPER WRAPPED
BIRCH
■ CHERRY
LAMINATE
■ MAPLE
OAK

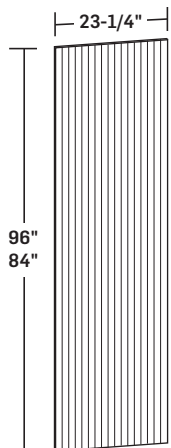


**WALL GROOVED END PANELS**

- Maple or cherry veneer plywood 5/32" thick
- Maple is used when ordering birch, painted, or thermofoil door styles
- Grooved 1-1/2" on center

WGE30  
WGE36  
WGE42  
WGE48

PAPER WRAPPED
BIRCH
■ CHERRY
LAMINATE
■ MAPLE
OAK

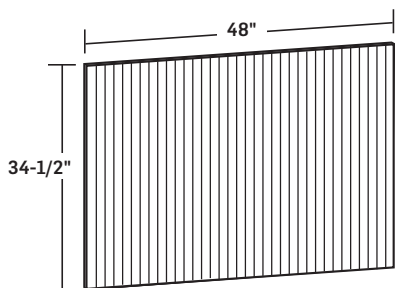


**TALL GROOVED END PANELS**

- Maple or cherry veneer plywood 5/32" thick
- Maple is used when ordering birch, painted, or thermofoil door styles
- Grooved 1-1/2" on center

TGE84  
TGE96

PAPER WRAPPED
BIRCH
■ CHERRY
LAMINATE
■ MAPLE
OAK

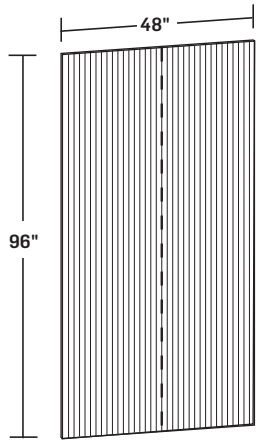


**GROOVED PANELING**

- Maple or cherry veneer plywood 5/32" thick
- Maple is used when ordering birch, painted, or thermofoil door styles
- Grooved 1-1/2" on center
- **GP9634 is 2 pieces of 48 x 34-1/2" paneling**

GP4834  
GP9634

PAPER WRAPPED
BIRCH
■ CHERRY
LAMINATE
■ MAPLE
OAK

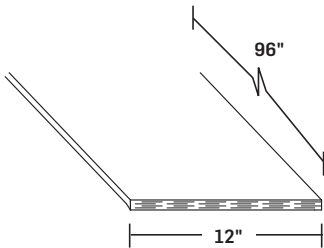


### 48" x 96" GROOVED PANELING

- Maple or cherry veneer plywood 5/32" thick
- Maple is used when ordering birch, painted, or thermofoil door styles
- **Comes as two 24" x 96" panels**
- Grooved 1-1/2" on center

GP4896

PAPER WRAPPED
BIRCH
■ CHERRY
LAMINATE
■ MAPLE
OAK

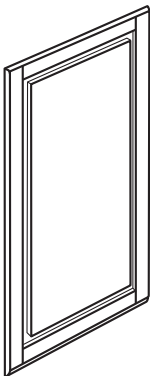


### FINISHED PLYWOOD SHELF

- 5/8" thick plywood shelf
- Wood and finish to match cabinet face
- Not available with glaze detailing
- Edgebanded on front
- Available in AllWood and Pinnacle construction
- Shipped loose

FPS12X96

PAPER WRAPPED
■ BIRCH
■ CHERRY
LAMINATE
■ MAPLE
■ OAK

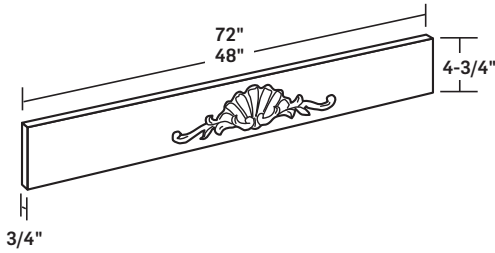


### DOORS AS PANELS

- All doors can be ordered with no hinge bore
- Order as "DOOR.ONLY"
- Refer to end of each section for door size formulas
- **NOTE: Found under Accessories in 20-20**

DOOR.ONLY

PAPER WRAPPED
■ BIRCH
■ CHERRY
■ LAMINATE
■ MAPLE
■ OAK

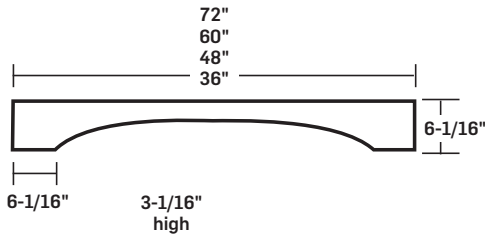


**APPLIQUE VALANCES**

- Maple is used when ordering birch, painted, or thermofoil door styles
- Applique is 16-11/32" wide x 4-13/32" high
- Trimmable 3" each side

APVAL48                  APVAL72

PAPER WRAPPED
BIRCH
■ CHERRY
LAMINATE
■ MAPLE
■ OAK

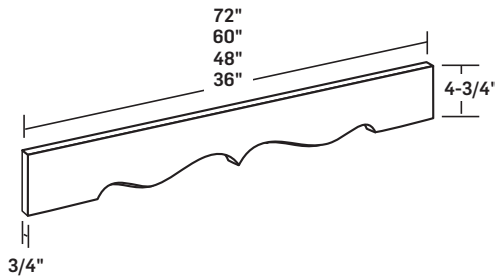


**ARCHED VALANCES**

- Maple is used when ordering birch, painted, or thermofoil door styles
- Trimmable 3" each side
- Not available with glaze detailing

ARVAL36                  ARVAL60  
ARVAL48                  ARVAL72

PAPER WRAPPED
BIRCH
■ CHERRY
LAMINATE
■ MAPLE
■ OAK

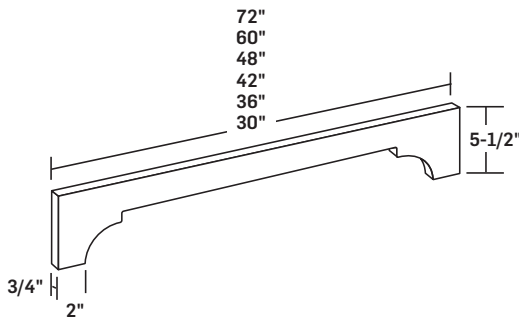


**COLONIAL VALANCES**

- Maple is used when ordering birch, painted, or thermofoil door styles
- Trimmable 3" each side
- Not available with glaze detailing

COVAL36                  COVAL60  
COVAL48                  COVAL72

PAPER WRAPPED
BIRCH
■ CHERRY
LAMINATE
■ MAPLE
■ OAK

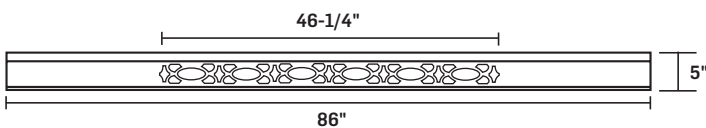
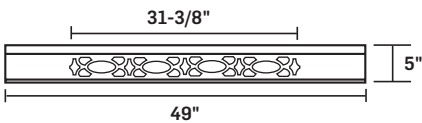
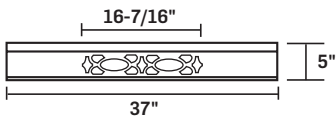


**CROWN VALANCES**

- Maple is used when ordering birch, painted, or thermofoil door styles
- Non-trimmable
- Not available with glaze detailing

CRVAL30                  CRVAL48  
CRVAL36                  CRVAL60  
CRVAL42                  CRVAL72

PAPER WRAPPED
BIRCH
■ CHERRY
LAMINATE
■ MAPLE
■ OAK

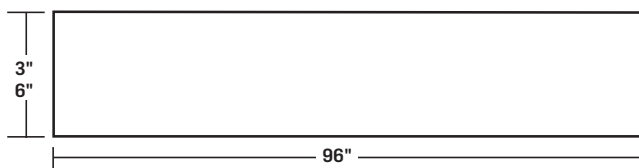


**COUNTRY VALANCES**

- Maple is used when ordering birch, painted, or thermofoil door styles
- Trimmable

CTVAL37  
CTVAL49  
CTVAL86

PAPER WRAPPED
BIRCH
■ CHERRY
LAMINATE
■ MAPLE
■ OAK

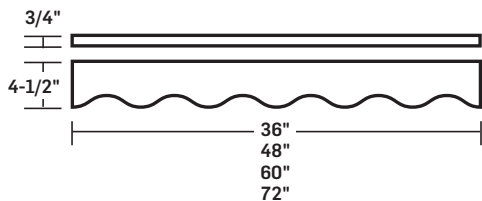


**FINISHED EDGE STRAIGHT VALANCES**

- Maple is used when ordering birch, painted, or thermofoil door styles
- Trimmable
- **Designed for use in molding buildups**
- Finished on all sides
- Not available with glaze detailing

PAPER WRAPPED
BIRCH
■ CHERRY
LAMINATE
■ MAPLE
■ OAK

STVAL96x3  
STVAL96x6

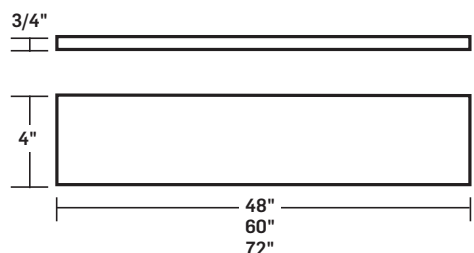


**SCALLOPED VALANCES**

- Maple is used when ordering birch, painted, or thermofoil door styles
- Trimmable
- Standard Reveal styles
- Not available with glaze detailing

PAPER WRAPPED
BIRCH
■ CHERRY
LAMINATE
■ MAPLE
■ OAK

SCVAL36  
SCVAL48  
SCVAL60  
SCVAL72

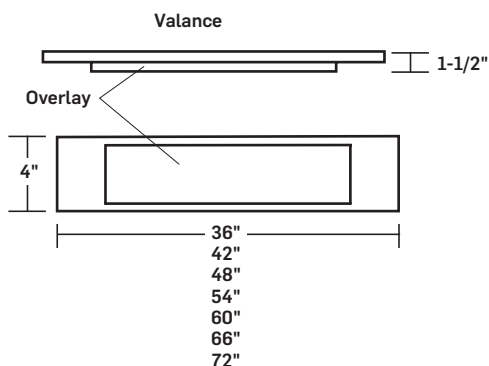


**STRAIGHT VALANCES**

- Maple is used when ordering birch, painted, or thermofoil door styles
- Trimmable
- Finished on all sides
- Not available with glaze detailing

PAPER WRAPPED
BIRCH
■ CHERRY
LAMINATE
■ MAPLE
■ OAK

STVAL48  
STVAL60  
STVAL72



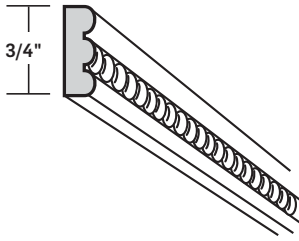
**STRAIGHT VALANCE OVERLAYS**

- Overlays are 6-1/4" shorter than valance to allow for 3" each end trimmable
- Full Overlay door styles only
- Valance overlay has same outside edge profile as door style ordered

PAPER WRAPPED
BIRCH
■ CHERRY
LAMINATE
■ MAPLE
OAK

OVAL36  
OVAL42  
OVAL48  
OVAL54  
OVAL60  
OVAL66  
OVAL72

**CENTER BEADED INSERT MOLDING**

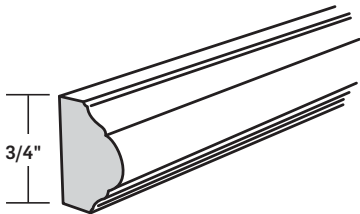


- Maple is used when ordering birch, painted, or thermofoil door styles
- Molding is 1/4" thick x 8' long
- May be used with Royal Crown Molding (see page 9.34)

CB8

PAPER WRAPPED
BIRCH
■ CHERRY
LAMINATE
■ MAPLE
■ OAK

**COLONIAL INSERT MOLDING**

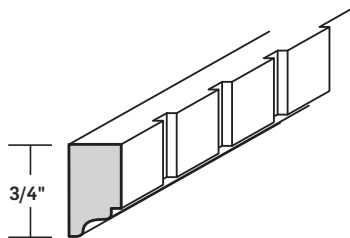


- Maple is used when ordering birch, painted, or thermofoil door styles
- Molding is 1/2" thick x 8' long
- May be used with Royal Crown Molding (see page 9.34)

CO18

PAPER WRAPPED
BIRCH
■ CHERRY
LAMINATE
■ MAPLE
■ OAK

**DENTIL MOLDING**

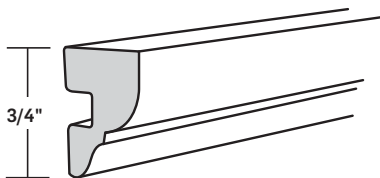


- Maple is used when ordering birch, painted, or thermofoil door styles
- Molding is 1/2" thick x 8' long
- May be used with Royal Crown Molding (see page 9.34)
- One piece per poly bag

DNT1S

PAPER WRAPPED
BIRCH
■ CHERRY
LAMINATE
■ MAPLE
OAK

**OGEE INSERT MOLDING**



- Maple is used when ordering birch, painted, or thermofoil door styles
- Molding is 1/2" thick x 8' long
- May be used with Royal Crown Molding (see page 9.34)

OG18

PAPER WRAPPED
BIRCH
■ CHERRY
LAMINATE
■ MAPLE
■ OAK

**ROPE MOLDING**

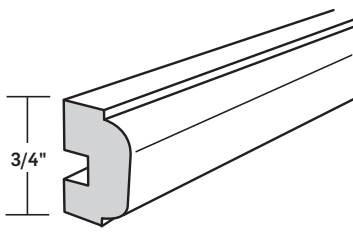


- Maple is used when ordering birch, painted, or thermofoil door styles
- Molding is 3/4" thick x 8' long
- May be used with Royal Crown Molding (see page 9.34)
- One piece per poly bag

RP1S

PAPER WRAPPED
BIRCH
■ CHERRY
LAMINATE
■ MAPLE
OAK



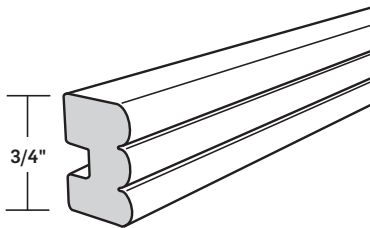


**SINGLE BEAD INSERT MOLDING**

- Maple is used when ordering birch, painted, or thermofoil door styles
- Molding is 1/2" thick x 8' long
- May be used with Royal Crown Molding (see page 9.34)

SBI8

PAPER WRAPPED
BIRCH
■ CHERRY
LAMINATE
■ MAPLE
■ OAK

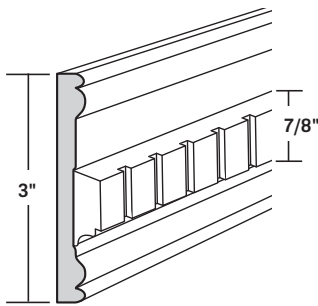


**TRIPLE BEAD INSERT MOLDING**

- Maple is used when ordering birch, painted, or thermofoil door styles
- Molding is 1/2" thick x 8' long
- May be used with Royal Crown Molding (see page 9.34)

TBI8

PAPER WRAPPED
BIRCH
■ CHERRY
LAMINATE
■ MAPLE
■ OAK

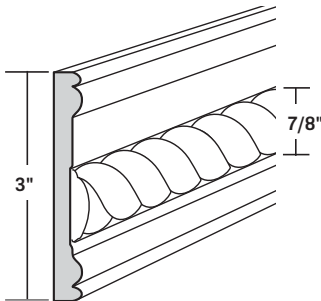


**DENTIL INLAY MOLDING**

- Maple is used when ordering birch, painted, or thermofoil door styles
- Molding is 3/8" thick x 8' long
- 7/8" thick Dentil Molding is premounted on face for additional accent

DIM8

PAPER WRAPPED
BIRCH
■ CHERRY
LAMINATE
■ MAPLE
OAK

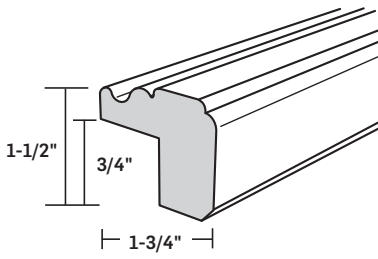


**ROPE INLAY MOLDING**

- Maple is used when ordering birch, painted, or thermofoil door styles
- Molding is 3/8" thick x 8' long
- 7/8" thick Rope Molding is premounted on face for additional accent

RIM8

PAPER WRAPPED
BIRCH
■ CHERRY
LAMINATE
■ MAPLE
OAK

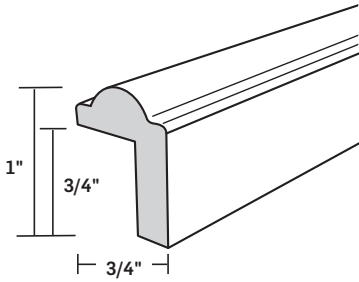


**COLONIAL ACCENT MOLDING**

- Maple is used when ordering birch, painted, or thermofoil door styles
- Molding is 1-3/4" thick x 8' long
- May be applied to inside frame of open cabinet

COAM8

PAPER WRAPPED
BIRCH
■ CHERRY
LAMINATE
■ MAPLE
OAK

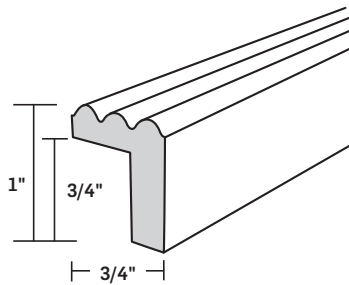


**SINGLE BEAD ACCENT MOLDING**

- Maple is used when ordering birch, painted, or thermofoil door styles
- Molding is 3/4" thick x 8' long
- May be applied to inside frame of open cabinet

SBAM8

PAPER WRAPPED
BIRCH
■ CHERRY
LAMINATE
■ MAPLE
■ OAK

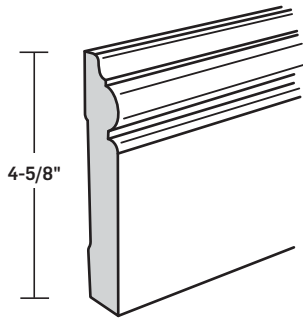


**TRIPLE BEAD ACCENT MOLDING**

- Maple is used when ordering birch, painted, or thermofoil door styles
- Molding is 3/4" thick x 8' long
- May be applied to inside frame of open cabinet

TBAM8

PAPER WRAPPED
BIRCH
■ CHERRY
LAMINATE
■ MAPLE
■ OAK

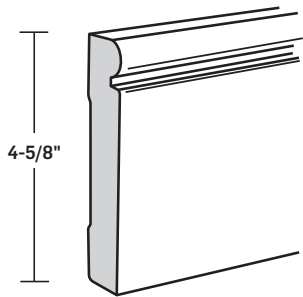


**ACANTHUS BASE MOLDING**

- Maple is used when ordering birch, painted, or thermofoil door styles
- Molding is 3/4" thick x 8' long

ASB8

PAPER WRAPPED
BIRCH
■ CHERRY
LAMINATE
■ MAPLE
■ OAK

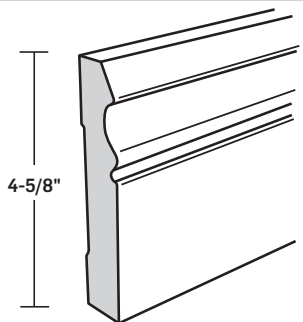


**BEADED BASE MOLDING**

- Maple is used when ordering birch, painted, or thermofoil door styles
- Molding is 3/4" thick x 8' long

BDB8

PAPER WRAPPED
BIRCH
■ CHERRY
LAMINATE
■ MAPLE
■ OAK

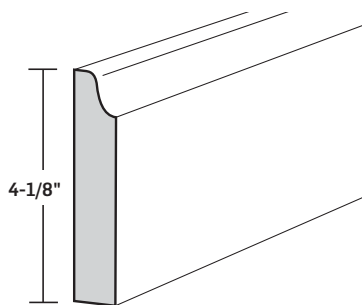


**COLONIAL BASE MOLDING**

- Maple is used when ordering birch, painted, or thermofoil door styles
- Molding is 3/4" thick x 8' long

COB8

PAPER WRAPPED
BIRCH
■ CHERRY
LAMINATE
■ MAPLE
■ OAK

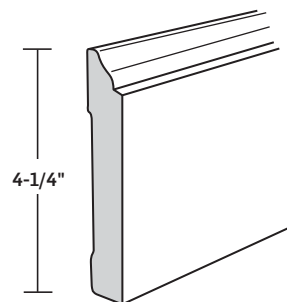


**FURNITURE BASE MOLDING**

- Maple is used when ordering birch, painted, or thermofoil door styles
- Molding is 3/4" thick x 8' long
- Not available with glaze detailing

FBM8

PAPER WRAPPED
BIRCH
■ CHERRY
LAMINATE
■ MAPLE
■ OAK

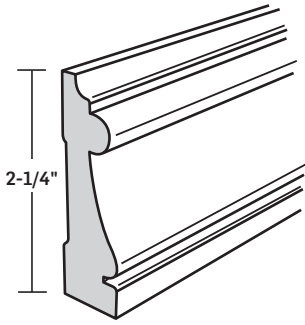


**FURNITURE OGEE MOLDING**

- Maple is used when ordering birch, painted, or thermofoil door styles
- Molding is 5/8" thick x 8' long

OGB8

PAPER WRAPPED
BIRCH
■ CHERRY
LAMINATE
■ MAPLE
■ OAK

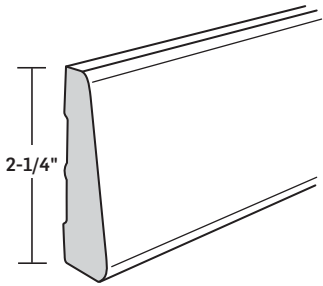


**ACANTHUS CASING MOLDING**

- Maple is used when ordering birch, painted, or thermofoil door styles
- Molding is 3/4" thick x 8' long

ASC8

PAPER WRAPPED
BIRCH
■ CHERRY
LAMINATE
■ MAPLE
■ OAK

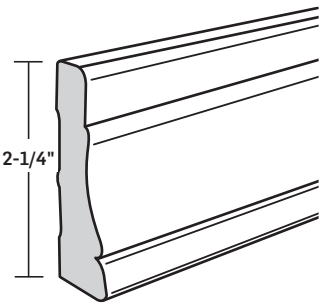


**CLAM SHELL CASING MOLDING**

- Maple is used when ordering birch, painted, or thermofoil door styles
- Molding is 5/8" thick x 8' long

CSC8

PAPER WRAPPED
BIRCH
■ CHERRY
LAMINATE
■ MAPLE
■ OAK

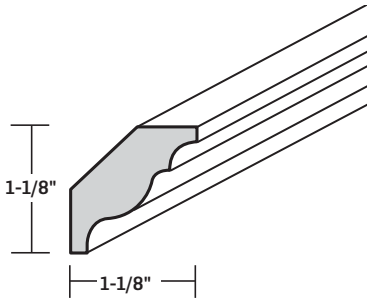


**COLONAIL CASING MOLDING**

- Maple is used when ordering birch, painted, or thermofoil door styles
- Molding is 5/8" thick x 8' long

COC8

PAPER WRAPPED
BIRCH
■ CHERRY
LAMINATE
■ MAPLE
■ OAK

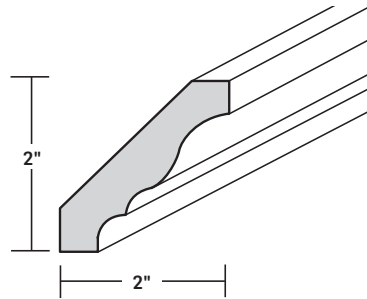


**1-5/8" CROWN MOLDING**

- P = Paper laminate on MDF
- Molding is 8' long
- 20 pieces per carton
- Not available with glaze detailing

CRM1P  
CRM1P/20

■ PAPER WRAPPED
■ BIRCH
■ CHERRY
■ LAMINATE
■ MAPLE
■ OAK



**2-3/4" CROWN MOLDING**

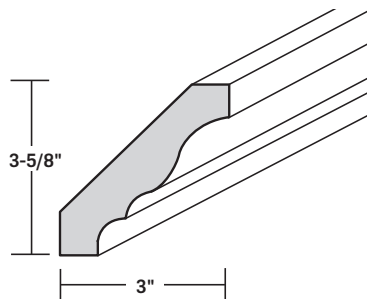
- S = Solid oak, maple, or cherry  
Maple is used when ordering birch, painted, or thermofoil door styles in "S"
- L = White laminate
- P = Paper laminate on MDF
- Molding is 8' long
- 10 piece per carton
- Glaze finish available on S = solid wood molding only

CRM2S  
CRM2S/10

CRM2L  
CRM2L/10

CRM2P  
CRM2P/10

■ PAPER WRAPPED
■ BIRCH
■ CHERRY
■ LAMINATE
■ MAPLE
■ OAK

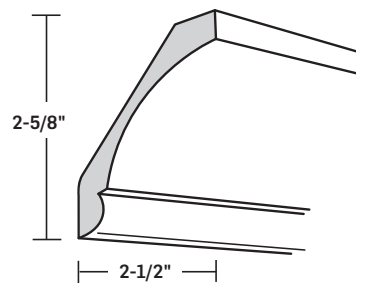


**3-5/8" CROWN MOLDING**

- Solid oak, maple, or cherry
- Maple is used when ordering birch, painted, or thermofoil door styles
- Molding is 8' long

CRM3S

■ PAPER WRAPPED
■ BIRCH
■ CHERRY
■ LAMINATE
■ MAPLE
■ OAK

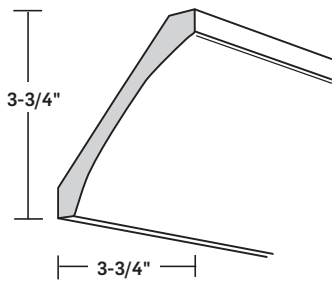


**LARGE BEADED COVE CROWN MOLDING**

- Maple is used when ordering birch, painted, or thermofoil door styles
- Molding is 8' long

LGBC8

■ PAPER WRAPPED
■ BIRCH
■ CHERRY
■ LAMINATE
■ MAPLE
■ OAK

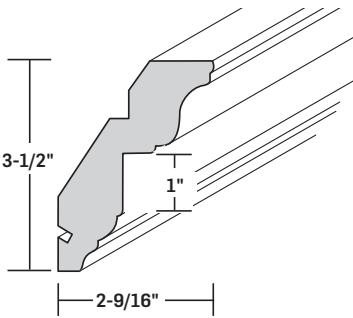


## LARGE COVE CROWN MOLDING

- Maple is used when ordering birch, painted, or thermofoil door styles
- Molding is 8' long
- Not available with glaze detailing

LGCC8

PAPER WRAPPED
BIRCH
■ CHERRY
LAMINATE
■ MAPLE
■ OAK

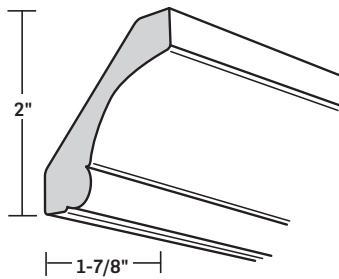


## ROYAL CROWN MOLDING

- Maple is used when ordering birch, painted, or thermofoil door styles
- Molding is 8' long
- May be used with select other moldings for additional accent (see pages 9.28-9.29)

RCM4S

PAPER WRAPPED
BIRCH
■ CHERRY
LAMINATE
■ MAPLE
■ OAK

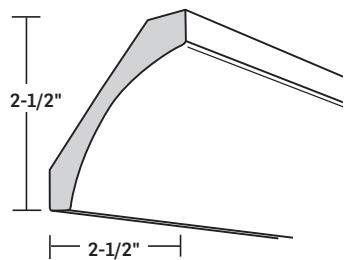


## SMALL BEADED COVE CROWN MOLDING

- Maple is used when ordering birch, painted, or thermofoil door styles
- Molding is 8' long

SMBC8

PAPER WRAPPED
BIRCH
■ CHERRY
LAMINATE
■ MAPLE
■ OAK

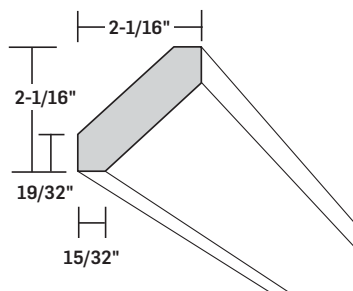


## SMALL COVE CROWN MOLDING

- Maple is used when ordering birch, painted, or thermofoil door styles
- Molding is 8' long
- Not available with glaze detailing

SMCC8

PAPER WRAPPED
BIRCH
■ CHERRY
LAMINATE
■ MAPLE
■ OAK

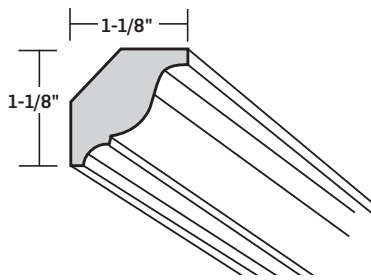


## SHAKER CROWN MOLDING

- Maple is used when ordering birch, painted, or thermofoil door styles
- Molding is 8' long
- Not available with glaze detailing

SHC8

PAPER WRAPPED
BIRCH
■ CHERRY
LAMINATE
■ MAPLE
OAK

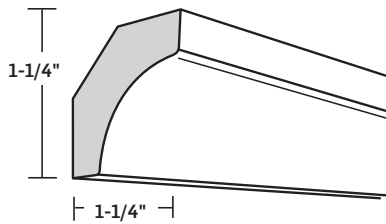


**SOFFIT CROWN MOLDING**

- Maple is used when ordering birch, painted, or thermofoil door styles
- Molding is 8' long

SC8

PAPER WRAPPED
BIRCH
■ CHERRY
LAMINATE
■ MAPLE
OAK

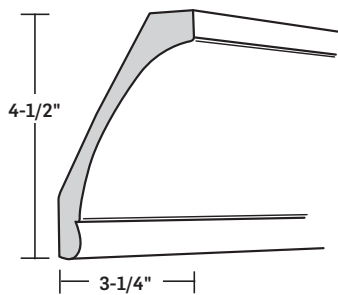


**SOFFIT COVE CROWN MOLDING**

- Maple is used when ordering birch, painted, or thermofoil door styles
- Molding is 8' long
- Not available with glaze detailing

SFCC8

PAPER WRAPPED
BIRCH
■ CHERRY
LAMINATE
■ MAPLE
■ OAK

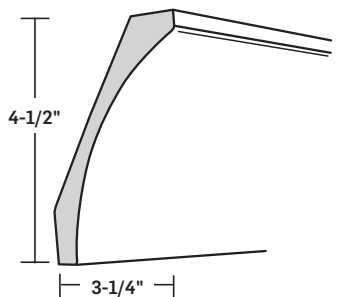


**X LARGE BEADED COVE CROWN MOLDING**

- Maple is used when ordering birch, painted, or thermofoil door styles
- Molding is 8' long

XLBC8

PAPER WRAPPED
BIRCH
■ CHERRY
LAMINATE
■ MAPLE
■ OAK

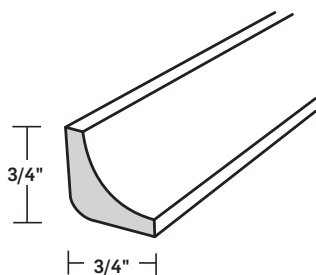


**X LARGE COVE CROWN MOLDING**

- Maple is used when ordering birch, painted, or thermofoil door styles
- Molding is 8' long
- Not available with glaze detailing

XLCC8

PAPER WRAPPED
BIRCH
■ CHERRY
LAMINATE
■ MAPLE
■ OAK

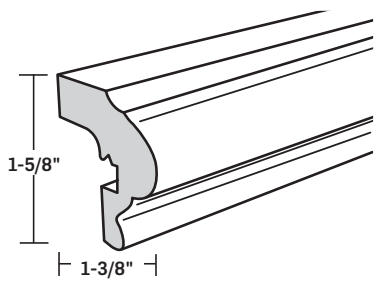


**COVE INSIDE CORNER MOLDING**

- Maple is used when ordering birch, painted, or thermofoil door styles
- Molding is 8' long
- Not available with glaze detailing

CIC8

PAPER WRAPPED
BIRCH
■ CHERRY
LAMINATE
■ MAPLE
■ OAK

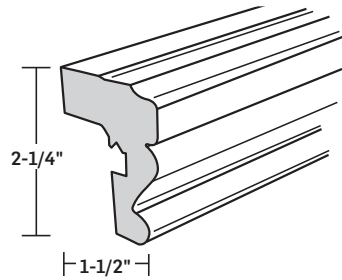


**ACANTHUS LIGHT RAIL MOLDING**

- Maple is used when ordering birch, painted, or thermofoil door styles
- Molding is 8' long

ALR8

PAPER WRAPPED
BIRCH
■ CHERRY
LAMINATE
■ MAPLE
■ OAK

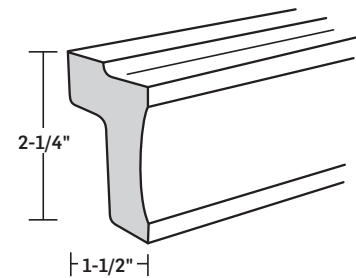


**COLONIAL LIGHT RAIL MOLDING**

- Maple is used when ordering birch, painted, or thermofoil door styles
- Molding is 8' long

COLR8

PAPER WRAPPED
BIRCH
■ CHERRY
LAMINATE
■ MAPLE
■ OAK

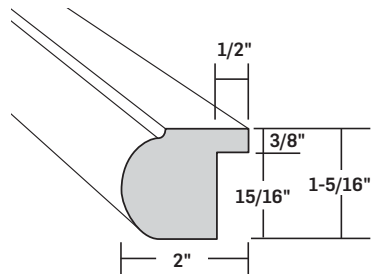


**COVE LIGHT RAIL MOLDING**

- Maple is used when ordering birch, painted, or thermofoil door styles
- Molding is 8' long

CLR8

PAPER WRAPPED
BIRCH
■ CHERRY
LAMINATE
■ MAPLE
■ OAK

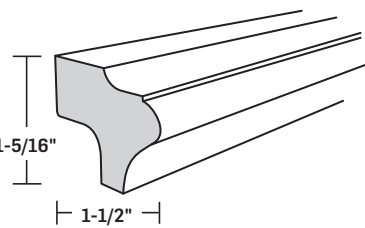


**LIGHT RAIL MOLDING**

- Maple is used when ordering birch, painted, or thermofoil door styles
- Molding is 8' long
- Not available with glaze detailing

LR8

PAPER WRAPPED
BIRCH
■ CHERRY
LAMINATE
■ MAPLE
OAK



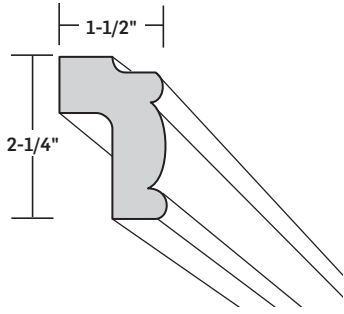
**LOW PROFILE ACANTHUS LIGHT RAIL MOLDING**

- Maple is used when ordering birch, painted, or thermofoil door styles
- Molding is 8' long

LPLR8

PAPER WRAPPED
BIRCH
■ CHERRY
LAMINATE
■ MAPLE
■ OAK





**TRADITIONAL LIGHT RAIL MOLDING**

- Maple is used when ordering birch, painted, or thermofoil door styles
- Molding is 8' long

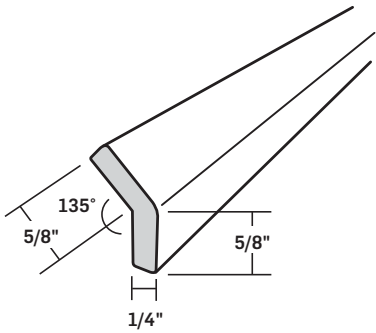
TLR8

■	PAPER WRAPPED
■	BIRCH
■	CHERRY
■	LAMINATE
■	MAPLE
■	OAK

**ANGLED OUTSIDE CORNER MOLDING**

- Maple is used when ordering birch, painted, or thermofoil door styles
- Molding is 8' long

AOSC8

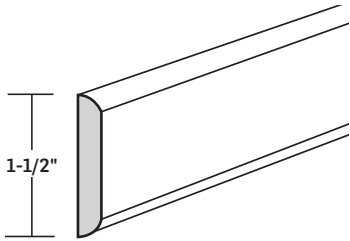


PAPER WRAPPED
BIRCH
■ CHERRY
LAMINATE
■ MAPLE
■ OAK

**BATTEN MOLDING**

- Maple is used when ordering birch, painted, or thermofoil door styles
- Molding is 8' long
- 50 pieces per carton
- Not available with glaze detailing

BAT1S  
BAT1S/50

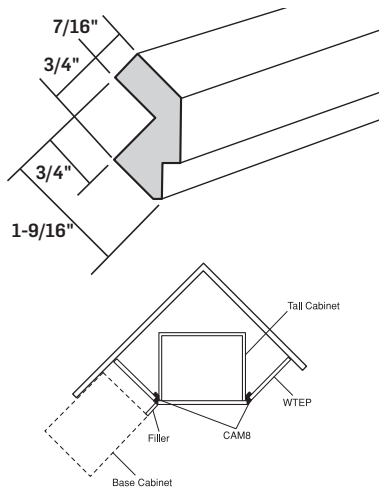


PAPER WRAPPED
BIRCH
■ CHERRY
LAMINATE
■ MAPLE
■ OAK

**CABINET ANGLE MOLDING**

- Maple is used when ordering birch, painted, or thermofoil door styles
- Molding is 8' long
- Used in corner application to place cabinet at 45° angle
- Not available with glaze detailing

CA8

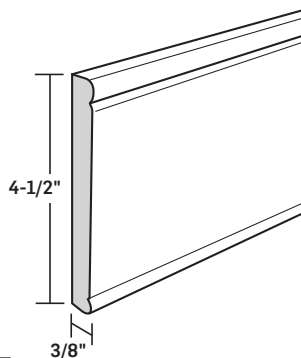


PAPER WRAPPED
BIRCH
■ CHERRY
LAMINATE
■ MAPLE
OAK

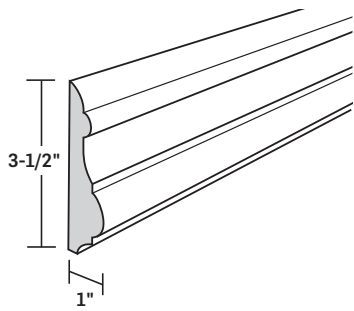
**CHAIR RAIL BACKER**

- Maple is used when ordering birch, painted, or thermofoil door styles
- Molding is 8' long
- Can be used alone or with CHR8S (see page 9.39)

CHB8S



PAPER WRAPPED
BIRCH
■ CHERRY
LAMINATE
■ MAPLE
■ OAK

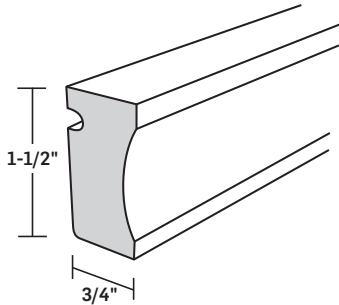


**CHAIR RAIL MOLDING**

- Maple is used when ordering birch, painted, or thermofoil door styles
- Molding is 8' long
- Can be used alone or with CHB8S (see page 9.38)

CHR8S

PAPER WRAPPED
BIRCH
■ CHERRY
LAMINATE
■ MAPLE
■ OAK

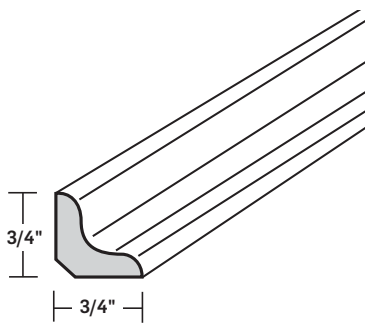


**COVE WOOD EDGE COUNTERTOP MOLDING**

- Maple is used when ordering birch, painted, or thermofoil door styles
- Molding is 8' long

CWE8

PAPER WRAPPED
BIRCH
■ CHERRY
LAMINATE
■ MAPLE
■ OAK



**INSIDE CORNER MOLDING**

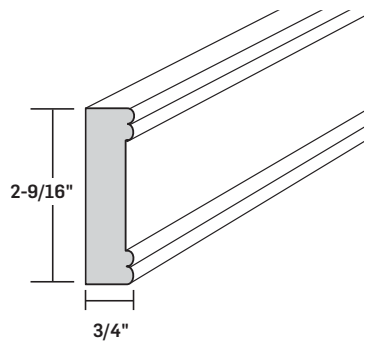
- S = Solid oak, maple, or cherry  
Maple is used when ordering birch, painted, or thermofoil door styles in "S"
- L = White vinyl laminate
- P = Paper laminate on MDF
- Molding is 8' long
- 50 pieces per carton
- Not available with glaze detailing

ICM1S  
ICM1S/50

ICM1P  
ICM1P/50

ICM1L  
ICM1L/50

■ PAPER WRAPPED
BIRCH
■ CHERRY
■ LAMINATE
■ MAPLE
■ OAK

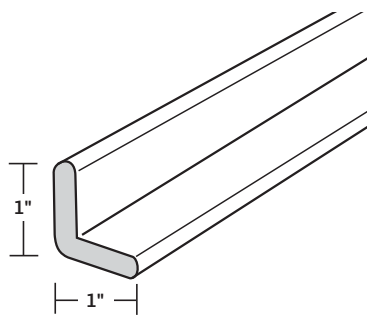


**LIBRARY MOLDING**

- Maple is used when ordering birch, painted, or thermofoil door styles
- Molding is 8' long

LM8

PAPER WRAPPED
BIRCH
■ CHERRY
LAMINATE
■ MAPLE
OAK

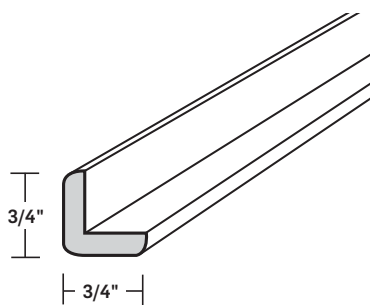


**LARGE OUTSIDE CORNER MOLDING**

- Maple is used when ordering birch, painted, or thermofoil door styles
- Molding is 8' long
- Not available in glaze finish

LOCM8S

■ PAPER WRAPPED
■ BIRCH
■ CHERRY
■ LAMINATE
■ MAPLE
■ OAK



**OUTSIDE CORNER MOLDING**

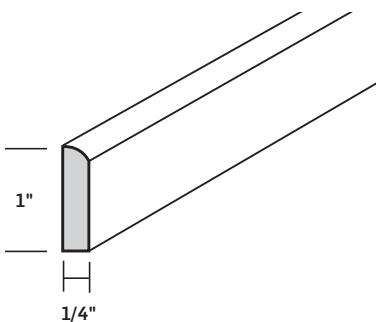
- S = Solid oak, maple, or cherry  
Maple is used when ordering birch, painted, or thermofoil door styles in "S"
- L = White vinyl laminate
- P = Paper laminate on MDF
- Molding is 8' long
- 50 pieces per carton
- Not available with glaze detailing

OCM1S  
OCM1S/50

OCM1P  
OCM1P/50

OCM1L  
OCM1L/50

■ PAPER WRAPPED
■ BIRCH
■ CHERRY
■ LAMINATE
■ MAPLE
■ OAK



**1" SCRIBE MOLDING**

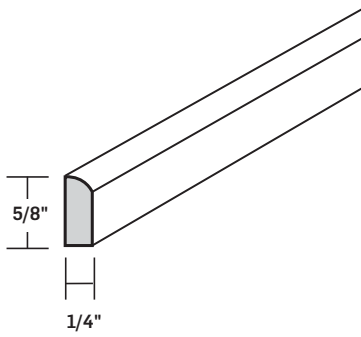
- S = Solid oak, maple, or cherry  
Maple is used when ordering birch, painted, or thermofoil door styles in "S"
- L = White vinyl laminate
- P = Paper laminate on MDF
- Molding is 8' long
- 50 pieces per carton
- Not available with glaze detailing

SCM1S  
SCM1S/50

SCM1P  
SCM1P/50

SCM1L  
SCM1L/50

■ PAPER WRAPPED
■ BIRCH
■ CHERRY
■ LAMINATE
■ MAPLE
■ OAK



**5/8" SCRIBE MOLDING**

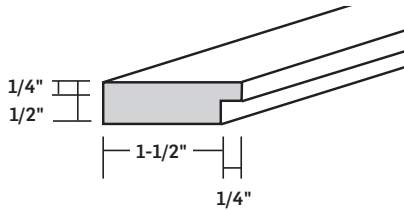
- S = Solid oak, maple, or cherry  
Maple is used when ordering birch, painted, or thermofoil door styles in "S"
- L = White vinyl laminate
- P = Paper laminate on MDF
- Molding is 8' long
- 50 pieces per carton
- Not available with glaze detailing

SCMOP  
SCMOP/50

SCMOL  
SCMOL/50

SCMOS  
SCMOS/50

■ PAPER WRAPPED
BIRCH
■ CHERRY
■ LAMINATE
■ MAPLE
■ OAK

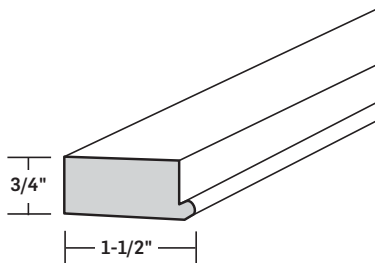


**SPLINE RETURN**

- Molding is 8' long
- Use with Top Edge Traditional Crown Molding for top or bottom mount application to face frame
- **Unfinished**
- 50 pieces per carton

SR10X  
SR10X/50

PAPER WRAPPED
BIRCH
CHERRY
LAMINATE
MAPLE
OAK

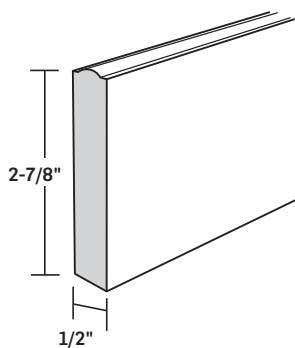


**SPLINE RETURN**

- Maple is used when ordering birch, painted, or thermofoil door styles
- Molding is 8' long
- Used with Royal Crown Molding for top mount application to face frame
- **Unfinished**

SRRCM4XX

PAPER WRAPPED
BIRCH
CHERRY
LAMINATE
MAPLE
OAK

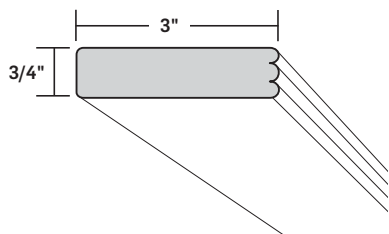


**STARTER TRIM MOLDING**

- Maple is used when ordering birch, painted, or thermofoil door styles
- Molding is 8' long
- Beaded front edge
- Can be used as pallister or decorative filler

STM8

PAPER WRAPPED
BIRCH
■ CHERRY
LAMINATE
■ MAPLE
■ OAK

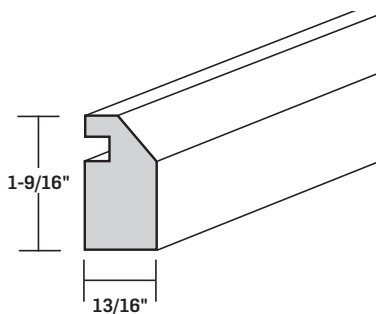


**TRIPLE BEAD MOLDING**

- Maple is used when ordering birch, painted, or thermofoil door styles
- Molding is 8' long

TB8

PAPER WRAPPED
BIRCH
■ CHERRY
LAMINATE
■ MAPLE
OAK

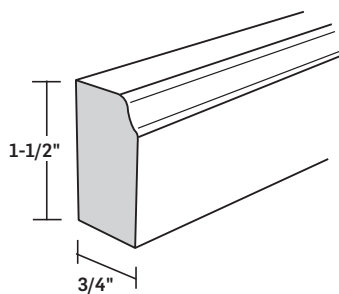


**TOP EDGE TRADITIONAL CROWN MOLDING**

- Solid oak, maple, or cherry
- Maple is used when ordering birch, painted, or thermofoil door styles
- Molding is 8' long
- 10 pieces per carton
- Not available with glaze detailing

TCM1S  
TCM1S/10

■ PAPER WRAPPED
BIRCH
■ CHERRY
LAMINATE
■ MAPLE
■ OAK

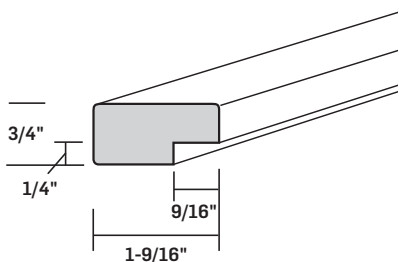


**TRADITIONAL WOOD EDGE COUNTERTOP MOLDING**

- Maple is used when ordering birch, painted, or thermofoil door styles
- Molding is 8' long

TWE8

PAPER WRAPPED
BIRCH
■ CHERRY
LAMINATE
■ MAPLE
■ OAK

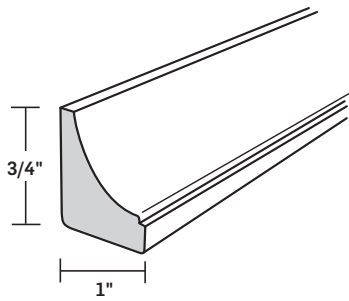


**UNIVERSAL TRIM PIECE**

- Solid oak, maple, or cherry
- Maple is used when ordering birch, painted, or thermofoil door styles
- Molding is 8' long
- Use at cabinet top and bottom as a contemporary molding
- Use in conjunction with other moldings
- Use as shelf support/edge with our standard shelving
- Use as mirror molding
- All edges finished
- Not available with glaze detailing

UTP8S

PAPER WRAPPED
BIRCH
■ CHERRY
LAMINATE
■ MAPLE
■ OAK

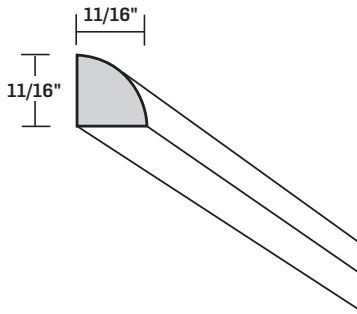


**COLONIAL SHOE MOLDING**

- Maple is used when ordering birch, painted, or thermofoil door styles
- Molding is 8' long

CSHM8

PAPER WRAPPED
BIRCH
■ CHERRY
LAMINATE
■ MAPLE
■ OAK



**QUARTER ROUND**

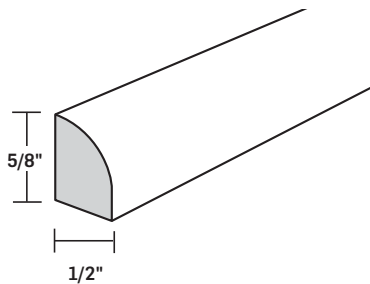
- QR8 = Solid oak, maple, or cherry  
Maple is used when ordering birch, painted, or thermofoil door styles in "QR8"
- L = White vinyl laminate
- P = Paper laminate on MDF
- Molding is 8' long
- Not available with glaze detailing

QR8

QR8L

QR8P

■ PAPER WRAPPED
BIRCH
■ CHERRY
■ LAMINATE
■ MAPLE
■ OAK

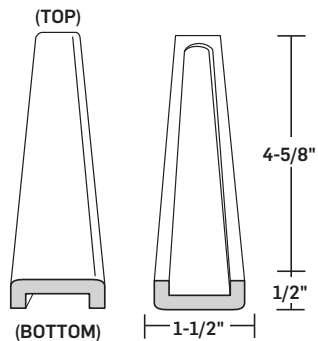


**SHOE MOLDING**

- Maple is used when ordering birch, painted, or thermofoil door styles
- Molding is 8' long
- Not available with glaze detailing

SHM8

PAPER WRAPPED
BIRCH
■ CHERRY
LAMINATE
■ MAPLE
■ OAK

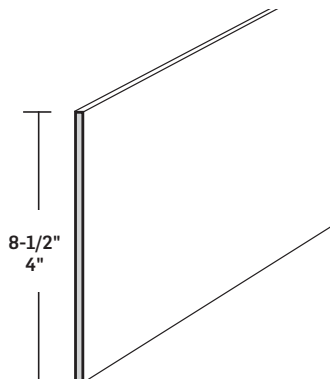


## TOE KICK CAP

- Maple is used when ordering birch, painted, or thermofoil door styles
- Molding is 4-5/8' long
- Finish matches cabinet exterior
- Apply to end of cabinet run. Toe Kick Cap to cover unfinished toe kick cut
- Trimmable height
- Not available with glaze detailing

PAPER WRAPPED
BIRCH
■ CHERRY
LAMINATE
■ MAPLE
OAK

TKCAP



## TOE KICK MOLDING

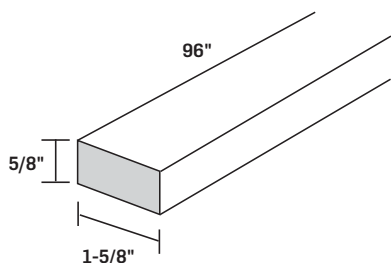
- S = 5/32" thick oak, maple, or cherry veneer plywood  
Maple is used when ordering birch, painted, or thermofoil door styles in "S"
- L = .10" thick white vinyl laminate
- P = .10" thick paper laminate
- Molding is 8' long
- 10 pieces per carton
- Not available with glaze detailing

■ PAPER WRAPPED
BIRCH
■ CHERRY
■ LAMINATE
■ MAPLE
■ OAK

TKS8S  
TKS8S/10  
TKS8x8S – (8-1/2" H.)

TKS8L  
TKS8L/10  
TKS8x8L – (8-1/2" H.)

TKS8P  
TKS8P/10  
TKS8x8P – (8-1/2" H.)

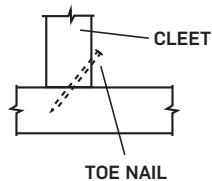


## CLEET

- Composite wood block can be fastened to a surface to serve as a check or support
- This composite block can be used to strengthen or support the surface to which it is attached and also serve as a sub-straight for objects to be fastened to
- Crystal maple laminate wrapped on two sides

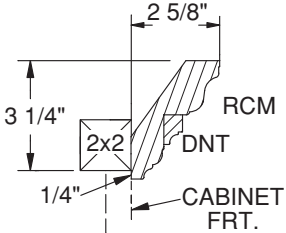
PAPER WRAPPED
BIRCH
CHERRY
■ LAMINATE
MAPLE
OAK

CLEET

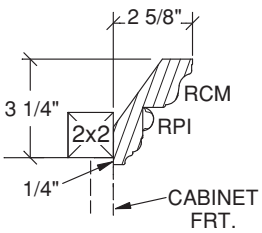




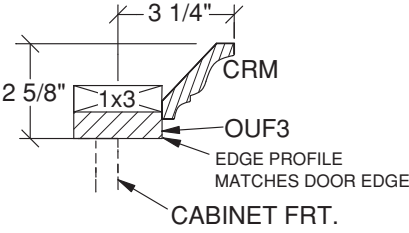
#C1: RCM – DNT



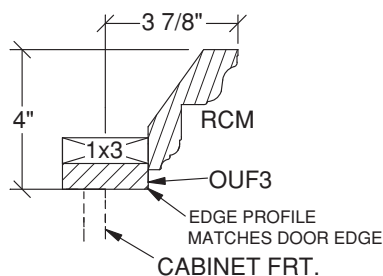
#C2: RCM – RPI



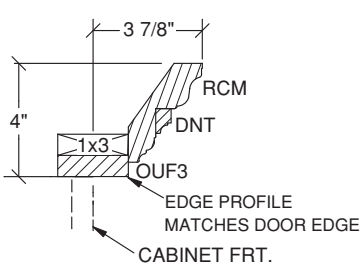
#C3: CRM – OUF3 (H)



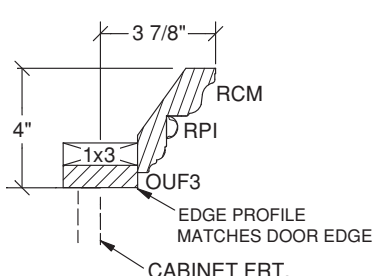
#C4: CRM – OUF3 (H)



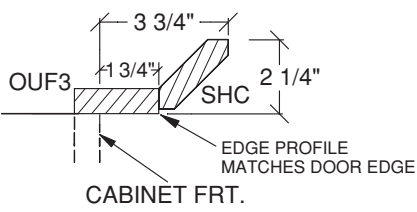
#C5: RCM – DNT – OUF3 (H)



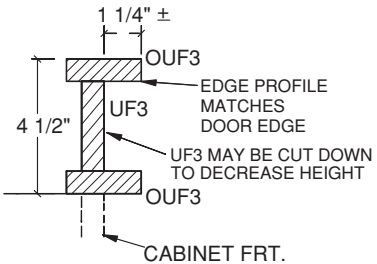
#C6: RCM – RPI – OUF3 (H)



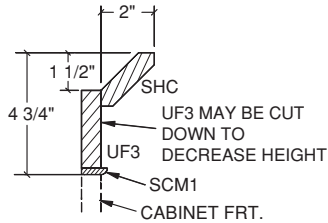
#C7: SHC – OUF3 (H)



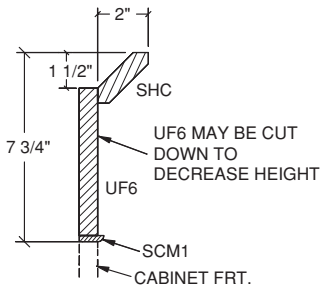
#C8: OUF3 – UF3 – OUF3



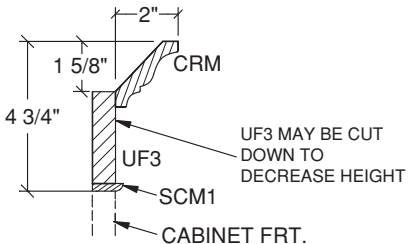
#C9: SHC – UF3 – SCM



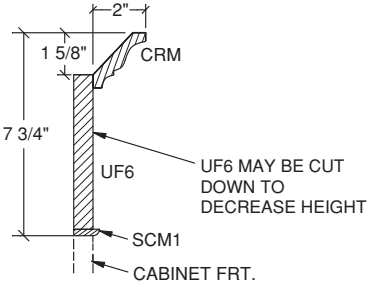
#C10: SHC – UF6 – SCM



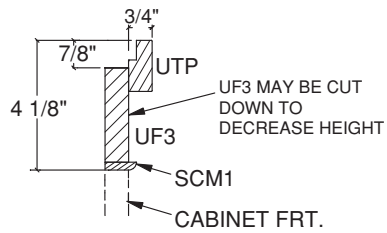
#C11: CRM – UF3 – SCM



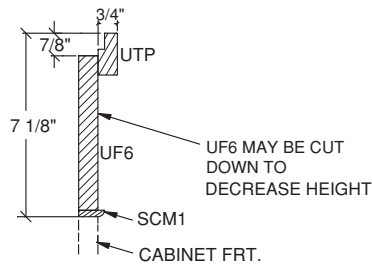
#C12: CRM – UF6 – SCM



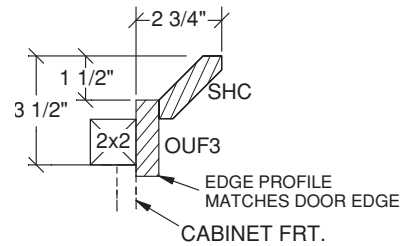
**#C13: UTP – UF3 – SCM**



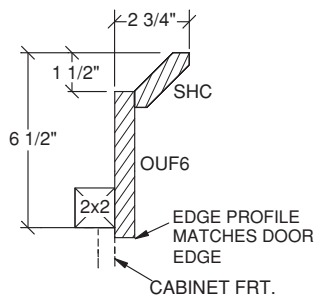
**#C14: UTP – UF6 – SCM**



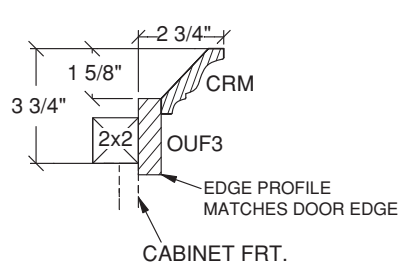
**#C15: SHC – OUF3 (V)**



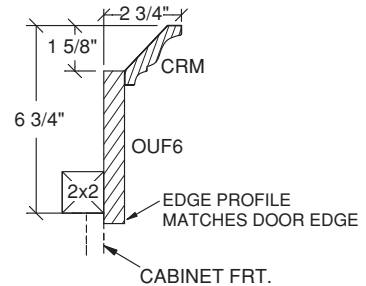
**#C16: SHC – OUF6 (V)**



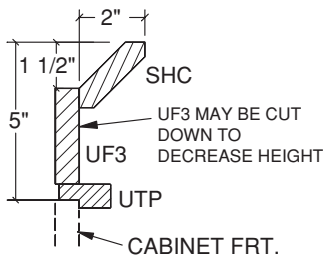
**#C17: CRM OUF3 (V)**



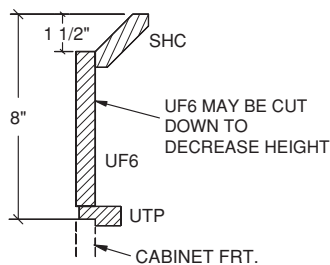
**#C18: CRM – OUF6 (V)**



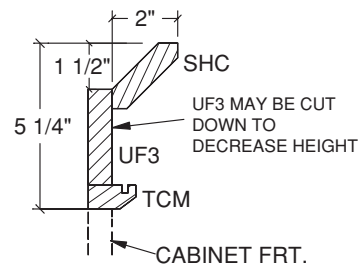
**#C19: SHC – UF3 – UTP**



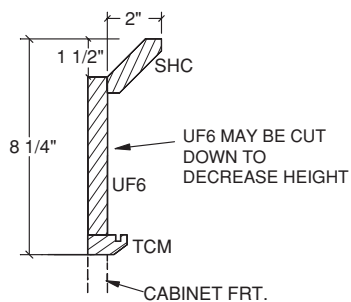
**#C20: SHC – UF6 – UTP**



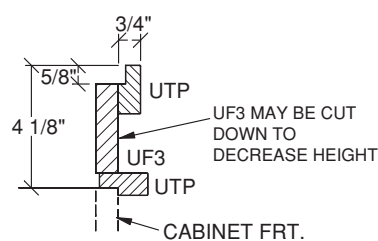
**#C21: SHC – UF3 – TCM**



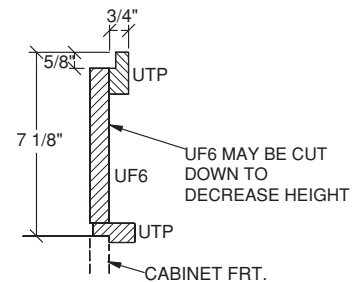
**#C22: SHC – UF6 – TCM**



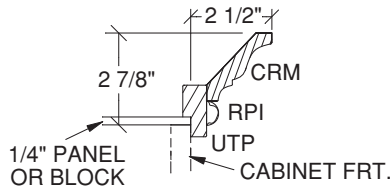
**#C23: UTP – UF3 – UTP**



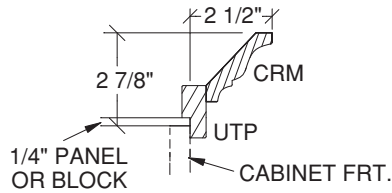
**#C24: UTP – UF6 – UTP**



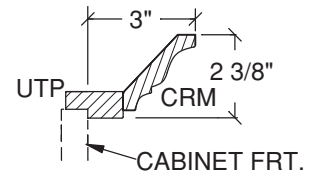
#C25: CRM – RPI – UTP (V)



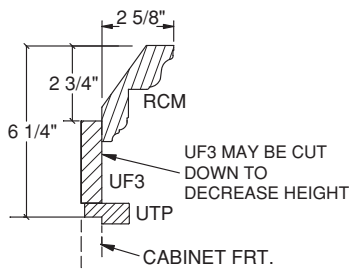
#C26: CRM – UTP (V)



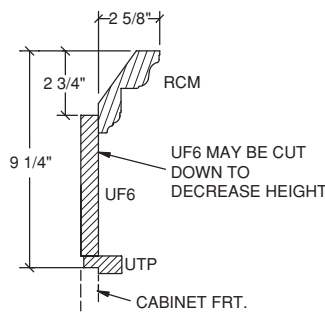
#C27: CRM – UTP (H)



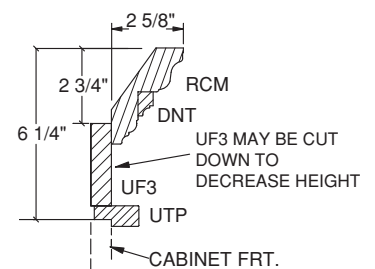
#C28: RCM – UF3 – UTP



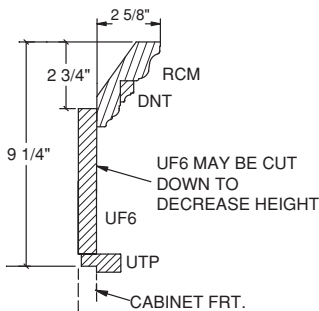
#C29: RCM – UF6 – UTP



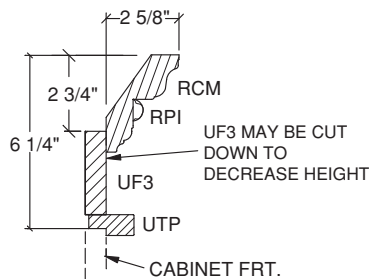
#C30: RCM – DNT – OUF3 – UTP



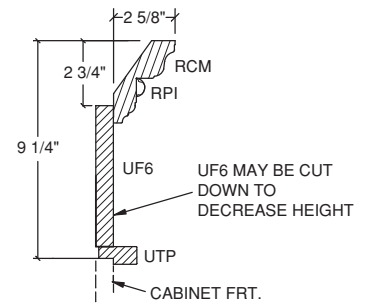
#C31: RCM – DNT – OUF6 – UTP



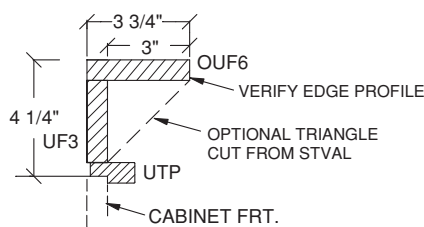
#C32: RCM – RPI – UF3 – UTP



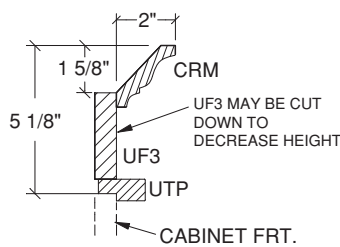
#C33: RCM – RPI – UF6 – UTP



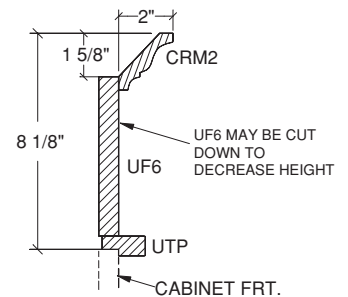
#C34: OUF6 – UF3 – UTP



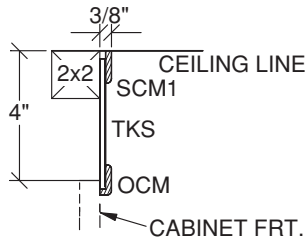
#C35: CRM – UF3 – UTP



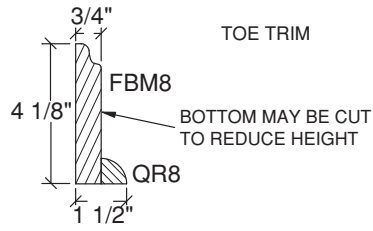
#C36: CRM – UF6 – UTP



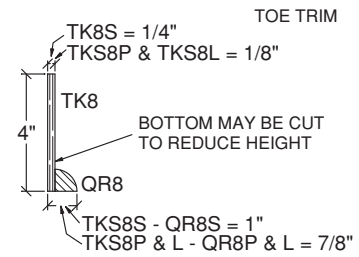
#C37: SCM1S – TKS8S – OCM1S  
#C38: SCM1P – TKS8P – OCM1P



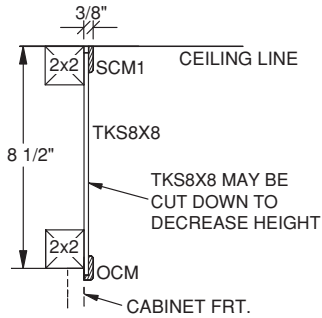
#C39: FBM8 – QR8



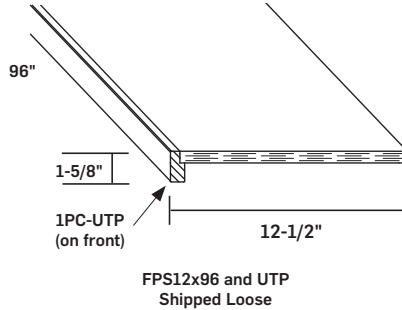
#C40: TKS8S – QR8S  
#C41: TKS8P – QR8P  
#C42: TKS8L – QR8L



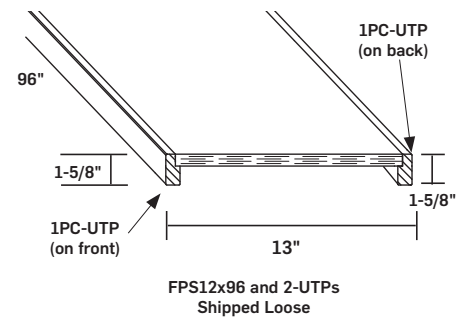
#C43: SCM1S – TKS8x8S – OCM1S  
#C44: SCM1P – TKS8x8P – OCM1P



#C45: FPS12x96 – UTP




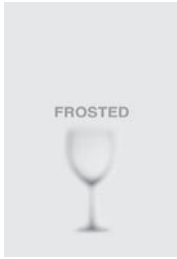




#C46: FPS12x96 – UTP – UTP



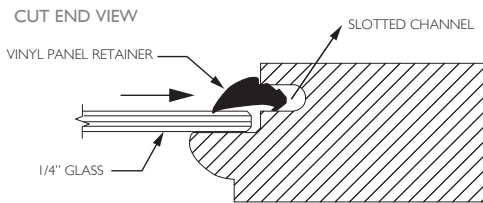
# DECORATIVE ACCENTS, SAMPLES, AND PARTS



<p style="text-align: center;"><b>ARTIQUE</b></p>  <ul style="list-style-type: none"> <li>• Clear tempered "spider web" glass duplicating the look of antique hand blown glass</li> </ul> <p style="text-align: center;">CODE # - ARTIQUE</p>	<p style="text-align: center;"><b>CLEAR</b></p>  <ul style="list-style-type: none"> <li>• Clear tempered glass</li> </ul> <p style="text-align: center;">CODE # - CLEAR</p>	<p style="text-align: center;"><b>CLEAR BEVEL</b></p>  <ul style="list-style-type: none"> <li>• 1-1/4" Bevel</li> <li>• Clear tempered glass</li> <li>• Available in Cut for Glass doors</li> </ul> <p style="text-align: center;">CODE # - CLBEVEL</p>
<p style="text-align: center;"><b>FROSTED ETCHED</b></p>  <ul style="list-style-type: none"> <li>• Obscure tempered glass with a medium frost</li> </ul> <p style="text-align: center;">CODE # - FROSTETCH</p>	<p style="text-align: center;"><b>REEDED</b></p>  <ul style="list-style-type: none"> <li>• Clear tempered glass with 1/2" wide vertical reeds</li> </ul> <p style="text-align: center;">CODE # - REEDED</p>	<p style="text-align: center;"><b>SEEDY</b></p>  <ul style="list-style-type: none"> <li>• Obscured tempered glass with a droplet (seeded) pattern throughout</li> </ul> <p style="text-align: center;">CODE # - SEEDY</p>

Glass inserts are available for standard reveal and full overlay door styles. See page 10.2 for door style availability.

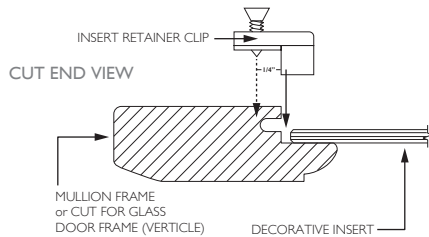
**Decorative glass inserts use the following:**



**VINYL RETAINER**

- To be used with Artique, Clear, Clear Bevel, Frosted Etch, and Seedy glass inserts
- Vinyl Retainer sent with all glass inserts

GLASSRETAINER



**GLASS INSERT CLIPS**

- To be used with Reeded glass inserts
- Must be ordered separately

GLASSCLIPS

DOOR STYLES	GLASS INSERT STYLES					
	Artique	Clear	Clear Bevel	Frost Etch (Medium)	Reeded	Seedy
Addison	D	D	D	D, V	D	D
Ardmore	M, D	M, D	D	M, D, V	D	M, D
Bedford	D	D	D	D, V	D	D
Bellevue	D	D	D	D, V	D	D
Benton	M, D	M, D	D	M, D	D	M, D
Brisbin	M, D	M, D	D	M, D	D	M, D
Carlisle				V		
Cheswick	M, D	M, D	D	M, D	D	M, D
Edinburgh 5-PC	M, D	M, D	D	M, D, V	D	M, D
Edinburgh Slab	M, D	M, D	D	M, D, V	D	M, D
Freeman	D	D	D	D, V	D	D
Hargrove	D	D	D	D	D	D
Herndon	M, D	M, D	D	M, D	D	M, D
Langdon 5-PC	M, D	M, D	D	M, D, V	D	M, D
Langdon Arch 5-PC	M, D	M, D	D	M, D, V	D	M, D
Langdon Slab	M, D	M, D	D	M, D, V	D	M, D
Langdon Arch Slab	M, D	M, D	D	M, D, V	D	M, D
Lisburn	D	D	D	D, V	D	D
Marianna				V		
Manor				V		
Norwich 5-PC	D	D	D	D	D	D
Norwich Slab	D	D	D	D	D	D
Rossiter 5-PC	M, D	M, D	D	M, D, V	D	M, D
Rossiter Slab	M, D	M, D	D	M, D, V	D	M, D
Salerno 5-PC	M, D	M, D	D	M, D	D	M, D
Salerno Slab	M, D	M, D	D	M, D	D	M, D
Southampton	D	D	D	D, V	D	D
Sutton				V		
Touraine 5-PC	M, D	M, D	D	M, D	D	M, D
Touraine Slab	M, D	M, D	D	M, D	D	M, D
Trevino 5-PC	D	D	D	D, V	D	D
Trevino Slab	D	D	D	D, V	D	D
Weston 5-PC	D	D	D	D, V	D	D
Weston Arch 5-PC	D	D	D	D, V	D	D
Weston Slab	D	D	D	D, V	D	D
Weston Arch Slab	D	D	D	D, V	D	D

D = Door Cut for Glass    M = Mullion Door    V = Vetro Aluminum Door

EXAMPLE

**G1530ARTIQUE**

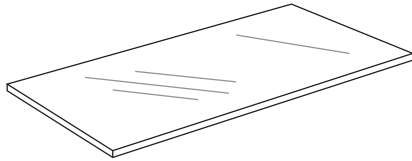
Glass insert | Cabinet size | Glass insert style code

**NEW GLASS INSERT NOMENCLATURE**

- Simplifies ordering the glass insert
- Nomenclature based on cabinet door size and glass insert style
- Order glass insert under the cabinet door style to get correct glass size
- **Glass inserts are ordered individually. For double or butt door cabinets, order two inserts; for triple door cabinets, order three inserts.**
- For use with doors cut for glass and mullion door cabinets
- See glass specifications section for specific description of glass style and recommendation for use by door style
- **Some Doors Cut For Glass door styles have limited glass insert options. See pages 3.18, 3.22-3.27 for more information.**

EchelonCabinetry.com

toll free 800.522.0183

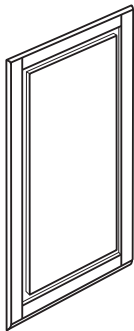


**GLASS SHELVES**

- All shelves are 1/4" tempered, pencil polished on all 4 edges
- Priced and packaged as 2 glass shelves per box
- 42" high wall cabinets require two (2) boxes of shelves

	USE WITH	GLASS SIZE
G15SHELF	Fits 15" wide cabinets	13-1/2" x 10-1/2"
G18SHELF	Fits 18" wide cabinets	16-1/2" x 10-1/2"
G21SHELF	Fits 21" wide cabinets	19-1/2" x 10-1/2"
G24SHELF	Fits 24" wide <b>corner wall</b> cabinets	22-5/8" x 22-1/2"
<b>NEW</b> GW24SHELF	Fits 24" wide cabinets	22-1/2" x 10-1/2"
G30SHELF	Fits 30" wide cabinets	28-1/2" x 10-1/2"
G36SHELF	Fits 36" wide cabinets	34-1/2" x 10-1/2"
G42SHELF	Fits 42" wide cabinets	40-1/2" x 10-1/2"

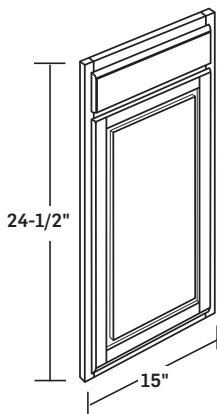
SAMPLES



**DOOR SAMPLE**

- 10" w x 15-5/8" h

SAMPLEDOOR

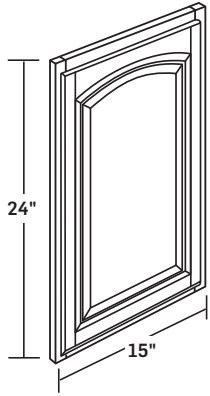


**VANITY CABINET SAMPLE FRONT**

- Specify L or R door hinging
- Not available in Arch door styles

SVF15 L or R

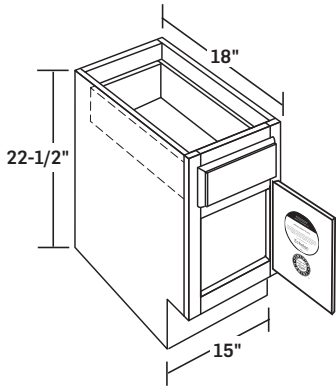




**WALL CABINET SAMPLE FRONT**

- Specify L or R door hinging
- Available only in Arch door styles

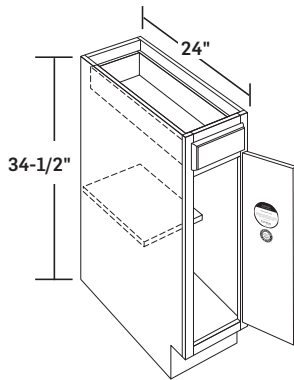
SWF15 L or R



**MINI BASE SAMPLE CABINET**

- Specify L or R door hinging
- KCMA Sticker and Door Style Label applied to inside of door

MB15 L or R



**SAMPLE BASE CABINETS**

- 2 hinges per door
- Specify L or R for door hinging
- KCMA sticker and Door Style label applied to inside of door

SAMPLEB12 L or R  
SAMPLEB15 L or R



**DOOR SAMPLE CARRYING CASE**

- Carrying case for SAMPLEDOOR
- Holds six sample doors
- **Does not include doors**

SAMPLECASEECH



## TOUCH-UP MATERIALS

ACSPOTTOUCHUP	Clear coat for small repairs and touch-ups
ACTOPCOAT	Clear coat for top coat sealing and large repairs
ST	Cabinetry Stain / Paint Quart
CCKIT	Cabinetry Care Kit (Putty Stick and Touch-Up Marker)
TUMARKER	Touch-Up Marker

STAIN COLOR	WOOD SPECIES	CC KIT (INCLUDES PUTTY STICK AND TOUCH-UP MARKER)	TUMARKER 1/2 OZ WITH APPLICATOR	CABINETRY STAIN / PAINT QUART
Autumn Brown	All	CCKITAUTBRWN		STAUTBRWN
Café	Maple / Birch	CCKITCAFEM		STCAFEM
Chestnut	Oak	CCKITCHESTO		STCHESTO
Cinnamon	Cherry	CCKITCINAMONC		STCINAMONC
Crystal	Cherry	CCKITCRYSTC		STCRYSTC
Crystal	Maple / Birch	CCKITNATURM		STNATURAM
Double Espresso	All	CCKITDBLESP		STDBLESP
Espresso	Maple / Birch	CCKITESPRESSOM		STESPRM
Espresso	Cherry	CCKITESPRESSOC		STESPRC
Honey	Oak	CCKITHONEYO		STHONEYO
Mocha	Cherry	CCKITMOCHAC		STMOCHAC
Mocha	Maple / Birch	CCKITMOCHAM		STMOCHAM
Mocha	Oak	CCKITMOCHAO		STMOCHAO
Nutmeg	All	CCKITNUTMEG		STNUTMEG
Storm	All	CCKITSTORM		STSTORM
Toffee	Birch	CCKITTOFFEEB		STTOFFEEB
Toffee	Maple	CCKITTOFFEEM		STTOFFEEM
Truffle	Maple / Birch	CCKITTRUFFLE		STTRUFFLE
White	Therm / Lam	CCKITWHITE		
<b>ENAMEL PAINTS</b>				
Alpine White	All	CCKITALPINEWT		STALPINEWHITE
Baltic	All	CCKITBALTIC		STBALTIC
Latte	All	CCKITLATTE		STLATTE
Linen	All	CCKITLINEN		STLINEN
River Rock	All	CCKITRIVERROCK		STRIVERROCK
Slate	All	CCKITSLATE		STSLATE
<b>GLAZE TOUCH-UP MARKERS</b>				
Ebony	All		TUMARKERBRNGLZ	
Frost	All		TUMARKERFROST	
Pewter	All		TUMARKERPEWGLZ	
Taupe	All		TUMARKERTPEGLZ	

# ELEMENTS ORGANIZATIONAL SOLUTIONS – ACCESSORIES

SOLUTION TYPE	PART #	DESCRIPTION	LIST
Cleaning	54810	SINK BASE ORGANIZER PULL-OUT	\$ 306.00
Cleaning	42311452	WOOD 14" DOOR STORAGE TRAYS W/SCREW-IN CLIPS	\$ 113.00
Cleaning	42312052	WOOD 20" DOOR STORAGE TRAYS W/SCREW-IN CLIPS	\$ 123.00
Cleaning	65411152	11-1/4" STAINLESS STEEL SLIM TIP-OUT TRAY & HINGES	\$ 76.00
Cleaning	65411452	14-1/4" STAINLESS STEEL SLIM TIP-OUT TRAY & HINGES	\$ 77.00
Cleaning	6232081152	8" DOOR STORAGE/WHITE	\$ 72.00
Cleaning	6232141152	14" DOOR STORAGE/WHITE	\$ 76.00
Cleaning	6235201152	20" POLYMER DOOR STORAGE TRAY W/SCREW-IN CLIPS	\$ 176.00
Cleaning	6552101152	TIP OUT TRAY FOR SB27 WHITE	\$ 75.00
Cleaning	6552201152	TIP OUT TRAY FOR SB24, 28 WHITE	\$ 136.00
Cleaning	6572111152	TIP OUT TRAYS FOR SB30,33,36 WHITE	\$ 71.00
Cleaning	6572141152	TIP OUT TRAYS FOR SB39, 42,45 WHITE	\$ 75.00
Cleaning	4SBSU15	WOOD UNDERSINK BASE STORAGE SYSTEM FOR SB30	\$ 152.00
Cleaning	4SBSU18	WOOD UNDERSINK BASE STORAGE SYSTEM FOR SB36	\$ 160.00
Cleaning	4SBSU21	WOOD UNDERSINK BASE STORAGE SYSTEM FOR SB42	\$ 176.00
Cleaning	4WCSC1550DM1	SINGLE 50 QT. WOOD BOTTOM MOUNTED WASTE CONTAINER FOR B15WBSFH & B18WBSFH	\$ 667.00
Cleaning	4WCSC2150DM2	DOUBLE 50 QT. WOOD BOTTOM MOUNTED WASTE CONTAINER FOR B21WBDFH	\$ 833.00
Cleaning	4WCSC1535DM1	SINGLE 35 QT. WOOD BOTTOM MOUNT WASTE CONTAINER FOR B15WBS	\$ 667.00
Cleaning	4WCSC1835DM2	DOUBLE 35 QT. WOOD BOTTOM MOUNT WASTE CONTAINER FOR B18WBD	\$ 750.00
Cleaning	4WCSC2135DM2	DOUBLE 35 QT. WOOD BOTTOM MOUNT WASTE CONTAINER FOR B21WBD	\$ 833.00
Cleaning	53491527DM2	PREMIERE CHROME TWIN 27 QT PULL OUT WASTE CONTAINER SYSTEM DOOR MOUNTABLE/WHITE CONTAINERS/FOR BASE 15	\$ 709.00
Cleaning	53491527DM217	PREMIERE CHROME TWIN 27 QT PULL OUT WASTE CONTAINER SYSTEM DOOR MOUNTABLE/SILVER METALLIC CONTAINER/FOR BASE 15	\$ 806.00
Cleaning	534915DM1	PREMIERE CHROME SINGLE 35 QT PULL OUT WASTE CONTAINER SYSTEM DOOR MOUNTABLE/WHITE CONTAINER/FOR BASE 15	\$ 688.00
Cleaning	534915DM117	PREMIERE CHROME SINGLE 35 QT PULL OUT WASTE CONTAINER SYSTEM DOOR MOUNTABLE/SILVER METALLIC CONTAINER/FOR BASE 15	\$ 787.00
Cleaning	534918DM2	PREMIERE CHROME TWIN 35 QT PULL OUT WASTE CONTAINER SYSTEM DOOR MOUNTABLE/WHITE CONTAINER/FOR BASE 18	\$ 766.00
Cleaning	534918DM217	PREMIERE CHROME TWIN 35 QT PULL OUT WASTE CONTAINER SYSTEM DOOR MOUNTABLE/SILVER METALLIC CONTAINERS/FOR BASE 18	\$ 855.00
Cleaning	56332C	TOWEL HOLDER – CHROME	\$ 47.00
Cleaning	56347C	3 PRONG PULL-OUT TOWEL BAR/CHROME	\$ 100.00
Cleaning	RV12DM	SINGLE 35QT PULL-OUT WASTE CONTAINER W/DOOR MOUNT SYSTEM	\$ 255.00
Cleaning	RV12KD17CS	SGL. 35 QT. WASTE CONTAINER PULL-OUT – METALLIC SILVER	\$ 308.00
Cleaning	RV12KD18CS	SINGLE 35 QUART WASTE CONTAINER - BLACK CONTAINER	\$ 308.00

SOLUTION TYPE	PART #	DESCRIPTION	LIST
Cleaning	RV12PB	SINGLE 35QT PULL-OUT WASTE CONTAINER SYSTEM	\$ 188.00
Cleaning	RV14PBS	SINGLE 20QT PULL-OUT WASTE CONTAINER SYSTEM	\$ 262.00
Cleaning	RV15KD17CS	DBL. 27 QT. WASTE CONTAINER PULL-OUT – METALLIC SILVER	\$ 368.00
Cleaning	RV15KD18CS	DOUBLE 27 QUART WASTE CONTAINER - BLACK CONTAINER	\$ 368.00
Cleaning	RV15PB2S	TWIN 27QT PULL-OUT WASTE CONTAINER SYSTEM	\$ 296.00
Cleaning	RV18KD17CS	DBL. 35 QT. WASTE CONTAINER PULL-OUT – METALLIC SILVER	\$ 395.00
Cleaning	RV18KD18CS	DOUBLE 35 QUART WASTE CONTAINER - BLACK CONTAINER	\$ 395.00
Cleaning	RV18PB2S	TWIN 35QT PULL-OUT WASTE CONTAINER SYSTEM	\$ 328.00
Cleaning	RV35LID1	35 QT. WASTE CONTAINER LID – WHITE	\$ 91.00
Cleaning	RV35LID1	35 QT. WASTE CONTAINER LID - WHITE	\$ 91.00
Cleaning	RV35LID171	35 QT. WASTE CONTAINER LID – METALLIC SILVER	\$ 95.00
Cleaning	RV35LID171	35 QT. WASTE CONTAINER LID - METALLIC SILVER	\$ 95.00
Cleaning	RV35LID181	35 QT. WASTE CONTAINER LID - BLACK	\$ 95.00
Cleaning	RV35LIDG1	35 QT. WASTE CONTAINER LID – GREEN	\$ 95.00
Cleaning	RV35LIDG1	35 QT. WASTE CONTAINER LID - GREEN	\$ 95.00
Cleaning	RV50LID1	50 QT. WASTE CONTAINER LID – WHITE	\$ 93.00
Cleaning	RV50LID171	50 QT. WASTE CONTAINER LID – METALLIC SILVER	\$ 97.00
Cleaning	RV50LIDG1	50 QT. WASTE CONTAINER LID – GREEN	\$ 97.00
Cleaning	RVDMKIT	DOOR MOUNTING KIT FOR RV'S	\$ 71.00
Cooking	432BF3CARM	3" SHELF PULLOUT	\$ 376.00
Cooking	432BF6CARM	6" SHELF PULLOUT	\$ 469.00
Cooking	434BF3SS	3" PERF PULLOUT	\$ 436.00
Cooking	434BF6SS	6" PERF PULLOUT	\$ 618.00
Cooking	448BC5C	WOOD AND CHROME ACCENT 3-TIER PULL OUT FOR BASE 9	\$ 415.00
Cooking	448WC5C	5" WOOD PULL OUT ORGANIZER FOR WALL 9/ADJUSTABLE SHELVES	\$ 274.00
Cooking	448WC8C	8" WOOD PULL OUT ORGANIZER FOR WALL 12/ADJUSTABLE SHELVES	\$ 312.00
Cooking	59712CR52	12" TRAY DIVIDER CHROME	\$ 61.00
Cooking	59718CR52	18" TRAY DIVIDER CHROME	\$ 62.00
Food Storage	54806	TWO-TIER BASE ORGANIZER PULL-OUT WHITE	\$ 406.00
Food Storage	6012181152	18" POLYMER FULL ROUND 2 SHELF SET/WHITE FOR CW2430	\$ 185.00
Food Storage	6012201152	20" POLYMER FULL ROUND 2 SHELF SET/WHITE FOR CW2430	\$ 207.00

# ELEMENTS ORGANIZATIONAL SOLUTIONS – ACCESSORIES

SOLUTION TYPE	PART #	DESCRIPTION	LIST
Food Storage	6221201152	20" POLYMER FULL ROUND/REV-A-TRAY	\$ 129.00
Food Storage	6421241752	24" POLYMER KIDNEY TRAY/REV-A-TRAY SILVER METALLIC	\$ 154.00
Food Storage	7012201152	20" POLYMER D SHAPE 2 SHELF SET/WHITE/FOR CW2430	\$ 193.00
Food Storage	60131811526	18" POLYMER FULL ROUND 3 SHELF SET/WHITE FOR CW2442	\$ 238.00
Food Storage	60132011526	20" POLYMER FULL ROUND 3 SHELF SET/WHITE FOR CW2442	\$ 269.00
Food Storage	68823111570	POLYMER 31" HALF MOON 2 TRAY SET/WHITE/FOR 13 1/4" OPENING BOTH TRAYS PIVOT AND SLIDE OUT FOR BLB42/45	\$ 567.00
Food Storage	68823311570	POLYMER 33" HALF MOON 2 TRAY SET/WHITE/FOR 16 1/8" OPENING BOTH TRAYS PIVOT AND SLIDE OUT FOR BLB42/45	\$ 580.00
Food Storage	68823911570	POLYMER 39" HALF MOON 2 TRAY SET/WHITE/FOR 19 1/4" OPENING BOTH TRAYS PIVOT AND SLIDE OUT FOR BLB48/51	\$ 620.00
Food Storage	70132011526	20" POLYMER D SHAPE 3 SHELF SET/WHITE FOR CW2442	\$ 246.00
Food Storage	3250BR	DOUBLE BOTTLE RACK BRASS	\$ 70.00
Food Storage	3250CR	DOUBLE BOTTLE RACK CHROME	\$ 65.00
Food Storage	3250SN	DOUBLE BOTTLE RACK SATIN NICKEL	\$ 67.00
Food Storage	4WB15L	RATTAN BASKET W/RAILS W/CLEAR LINER FOR BASE 15	\$ 208.00
Food Storage	4WB18L	RATTAN BASKET W/RAILS W/CLEAR LINER FOR BASE 18	\$ 224.00
Food Storage	4WLS00118B52	WOOD 18" FULL CIRCLE TRAY W/BEARING FOR CW24	\$ 218.00
Food Storage	4WLS00120B52	WOOD 20" FULL CIRCLE TRAY W/BEARING FOR CW24	\$ 239.00
Food Storage	4WLS0211852	WOOD 18" FULL CIRCLE TRAY/REV-A-TRAY	\$ 200.00
Food Storage	4WLS0212052	WOOD 20" FULL CIRCLE TRAY/REV-A-TRAY	\$ 215.00
Food Storage	4WLS0721852	WOOD 18" FULL CIRCLE 2 SHELF SET FOR CW24	\$ 433.00
Food Storage	4WLS0722052	WOOD 20" FULL CIRCLE 2 SHELF SET FOR CW24	\$ 474.00
Food Storage	4WLS07318536	WOOD 18" FULL CIRCLE 3 SHELF SET FOR CW2442	\$ 627.00
Food Storage	4WLS07320536	WOOD 20" FULL CIRCLE 3 SHELF SET FOR CW2442	\$ 652.00
Food Storage	4WLS20120BS52	WOOD 20" D SHAPE TRAY W/BEARING/STOP	\$ 223.00
Food Storage	4WLS2212052	WOOD 20" D SHAPE TRAY/REV-A-TRAY	\$ 247.00
Food Storage	4WLS2722052	WOOD 20" D SHAPE 2 SHELF SET FOR CW24	\$ 481.00
Food Storage	4WLS27320536	WOOD 20" D SHAPE 3 SHELF SET FOR CW2442	\$ 658.00
Food Storage	4WLS4212452	WOOD 24" KIDNEY TRAY/REV-A-TRAY	\$ 296.00
Food Storage	4WLS88235570	WOOD 35" HALF MOON 2 SHELF SET FOR 15" OPENING BOTH TRAYS PIVOT AND SLIDE OUT	\$ 719.00
Food Storage	4WLS88238570	WOOD 38" HALF MOON 2 SHELF SET FOR 18" OPENING BOTH TRAYS PIVOT AND SLIDE OUT	\$ 819.00
Food Storage	54806CR	TWO-TIER BASE ORGANIZER PULL-OUT CHROME	\$ 354.00
Food Storage	5LSF018CR	CHROME FENCE FOR 18" WOOD FULL ROUND TRAY	\$ 123.00

SOLUTION TYPE	PART #	DESCRIPTION	LIST
Food Storage	5LSF020CR	CHROME FENCE FOR 20" WOOD FULL ROUND TRAY	\$ 129.00
Food Storage	5LSF424CR	CHROME FENCE FOR 24" WOOD KIDNEY TRAY	\$ 158.00
Food Storage	5WB10918CR	SINGLE CHROME BASKET FOR BASE 12, 18" SLIDES	\$ 172.00
Food Storage	5WB11218CR	SINGLE CHROME BASKET FOR BASE 15, 18" SLIDES	\$ 178.00
Food Storage	5WB11220CR	SINGLE CHROME BASKETS - B15 OR LARGER	\$ 207.00
Food Storage	5WB11222CR	SINGLE CHROME BASKET FOR BASE 15, 22" SLIDES	\$ 207.00
Food Storage	5WB11520CR	SINGLE CHROME BASKETS B18 OR LARGER	\$ 217.00
Food Storage	5WB11522CR	SINGLE CHROME BASKET FOR BASE 18, 22" SLIDES	\$ 217.00
Food Storage	5WB11822CR	SINGLE CHROME BASKET FOR BASE 21, 22" SLIDES	\$ 207.00
Food Storage	5WB12122CR	SINGLE CHROME BASKET FOR BASE 24, 22" SLIDES	\$ 217.00
Food Storage	5WB20918CR	DOUBLE CHROME BASKET FOR BASE 12, 18" SLIDES	\$ 279.00
Food Storage	5WB21218CR	DOUBLE CHROME BASKET FOR BASE 15, 18" SLIDES	\$ 331.00
Food Storage	5WB21222CR	DOUBLE CHROME BASKET FOR BASE 15, 22" SLIDES	\$ 359.00
Food Storage	5WB21522CR	DOUBLE CHROME BASKET FOR BASE 18, 22" SLIDES	\$ 367.00
Food Storage	5WB21822CR	DOUBLE CHROME BASKET FOR BASE 21, 22" SLIDES	\$ 396.00
Food Storage	5WB22122CR	DOUBLE CHROME BASKET FOR BASE 24, 22" SLIDES	\$ 422.00
Other Space	6232201152	20" DOOR STORAGE TRAYS - WHITE	\$ 96.00
Other Space	60731611536	16" DIAMETER 3-SHELF FULL CIRCLE LAZY SUSAN SET - TALL CABINET HARDWARE	\$ 404.00
Other Space	60731811536	18" DIAMETER 3-SHELF FULL CIRCLE LAZY SUSAN SET - TALL CABINET HARDWARE	\$ 427.00
Other Space	434MBKIT	MAGNETIC MESSAGE BOARD, ERASER, MARKERS, AND MARKER HOLDER	\$ 246.00
Other Space	445VCG208	VANITY GROOMING ORGANIZER - VB12H OR LARGER	\$ 747.00
Other Space	448VC208	VANITY BASE ORGANIZER VB12H OR LARGER	\$ 957.00
Other Space	559015CR	PREMIERE PULL-OUT HAMPER BASKET 14-1/2"W X 18"D X 19-1/4"H	\$ 900.00
Other Space	5CLR4652	CHROME LINEN RACK	\$ 325.00
Other Space	5CLR4652	LINEN RACK CHROME - VLH1821	\$ 325.00
Other Space	5VGRCR	GROOMING RACK CHROME - 5VGRCR	\$ 67.00
Other Space	COS14	COSMETIC TRAY ORGANIZER INSERT 13 1/8" X 16 3/4" WHITE	\$ 102.00
Other Space	COS22W52	COSMETIC ORGANIZER BASE TRAY B24	\$ 97.00
Other Space	CPDR2635	PULL-DOWN CLOSET ROD - 26" - 35" WIDE	\$ 432.00
Other Space	CVR14CR	DESIGNER SERIES VALET ROD - CHROME	\$ 78.00
Other Space	HRV1520LINER	REPLACEMENT HAMPER BAG	\$ 64.00

# ELEMENTS ORGANIZATIONAL SOLUTIONS – ACCESSORIES

SOLUTION TYPE	PART #	DESCRIPTION	LIST
Other Space	HURV1512S	POLYMER HAMPER / UTILITY BASKET 18	\$ 332.00
Other Space	RAL1011	REV-A-LOCK STARTER SET	\$ 105.00
Other Space	RASVIBCOVER	REPLACEMENT IRONING BOARD COVER	\$ 78.00
Other Space	RL201125	REV-A-LOCK LOCK 25 PER CARTON/FULL CARTON ONLY	\$ 20.00
Other Space	RL202125	REV-A-LOCK KEY 25 PER CARTON/FULL CARTON ONLY	\$ 25.00
Other Space	VIB20CR	PULL-OUT IRONING BOARD	\$ 710.00
Prep	565852	7 7/8" WIDTH DOOR MOUNT SPICE RACK IND PK	\$ 109.00
Prep	5651052	WHITE WIRE DOOR MOUNTED SPICE RACK FOR 12"+	\$ 117.00
Prep	5651452	WHITE WIRE DOOR MOUNTED SPICE RACK FOR 15"	\$ 123.00
Prep	444WC5SS	5" WALL ORGANIZER W/STAINLESS STEEL PERFORATED PANEL	\$ 560.00
Prep	4DMCB15	WOOD DOOR MOUNTED CUTTING BOARD FOR BASE 15	\$ 200.00
Prep	4DMCB18	WOOD DOOR MOUNTED CUTTING BOARD FOR BASE 18	\$ 221.00
Prep	4SDI15MARM	WOOD SPICE DRAWER INSERT CUT-TO-SIZE DOVETAIL DRAWER 15" CABINET	\$ 199.00
Prep	4SDI15RARM	WOOD SPICE DRAWER INSERT CUT-TO-SIZE STANDARD DRAWER 15" CABINET	\$ 199.00
Prep	4SDI18MARM	WOOD SPICE DRAWER INSERT CUT-TO-SIZE DOVETAIL DRAWER 18" CABINET	\$ 199.00
Prep	4SDI18RARM	WOOD SPICE DRAWER INSERT CUT-TO-SIZE STANDARD DRAWER 18" CABINET	\$ 199.00
Prep	4SDI21MARM	WOOD SPICE DRAWER INSERT CUT-TO-SIZE DOVETAIL DRAWER 21" CABINET	\$ 211.00
Prep	4SDI21RARM	WOOD SPICE DRAWER INSERT CUT-TO-SIZE STANDARD DRAWER 21" CABINET	\$ 211.00
Prep	4SDI24MARM	WOOD SPICE DRAWER INSERT CUT-TO-SIZE DOVETAIL DRAWER 24" CABINET	\$ 211.00
Prep	4SDI24RARM	WOOD SPICE DRAWER INSERT CUT-TO-SIZE STANDARD DRAWER 24" CABINET	\$ 211.00
Prep	4SR15	WOOD DOOR MOUNT SPICE RACK FOR WALL 15	\$ 119.00
Prep	4SR18	WOOD DOOR MOUNT SPICE RACK FOR WALL 18	\$ 131.00
Prep	4SR21	WOOD DOOR MOUNT SPICE RACK FOR WALL 21	\$ 143.00
Prep	4WKB15MARM	WOOD KNIFE BLOCK INSERT CUT-TO-SIZE DOVETAIL DRAWER 15" CABINET	\$ 184.00
Prep	4WKB15RARM	WOOD KNIFE BLOCK INSERT CUT-TO-SIZE STANDARD DRAWER 15" CABINET	\$ 184.00
Prep	4WKB18MARM	WOOD KNIFE BLOCK INSERT CUT-TO-SIZE DOVETAIL DRAWER 18" CABINET	\$ 184.00
Prep	4WKB18RARM	WOOD KNIFE BLOCK INSERT CUT-TO-SIZE STANDARD DRAWER 18" CABINET	\$ 184.00
Prep	4WKB21MARM	WOOD KNIFE BLOCK INSERT CUT-TO-SIZE DOVETAIL DRAWER 21" CABINET	\$ 184.00
Prep	4WKB21RARM	WOOD KNIFE BLOCK INSERT CUT-TO-SIZE STANDARD DRAWER 21" CABINET	\$ 184.00
Prep	4WKB24MARM	WOOD KNIFE BLOCK INSERT CUT-TO-SIZE DOVETAIL DRAWER 24" CABINET	\$ 184.00
Prep	4WKB24RARM	WOOD KNIFE BLOCK INSERT CUT-TO-SIZE STANDARD DRAWER 24" CABINET	\$ 184.00

SOLUTION TYPE	PART #	DESCRIPTION	LIST
Prep	4WUT15MARM	WOOD UTILITY TRAY CUT-TO-SIZE DOVETAIL DRAWER 15" CABINET	\$ 151.00
Prep	4WUT15RARM	WOOD UTILITY TRAY CUT-TO-SIZE STANDARD DRAWER 15" CABINET	\$ 151.00
Prep	4WUT18MARM	WOOD UTILITY TRAY CUT-TO-SIZE DOVETAIL DRAWER 18" CABINET	\$ 151.00
Prep	4WUT18RARM	WOOD UTILITY TRAY CUT-TO-SIZE STANDARD DRAWER 18" CABINET	\$ 151.00
Prep	4WUT21MARM	WOOD UTILITY TRAY CUT-TO-SIZE DOVETAIL DRAWER 21" CABINET	\$ 175.00
Prep	4WUT21RARM	WOOD UTILITY TRAY CUT-TO-SIZE STANDARD DRAWER 21" CABINET	\$ 175.00
Prep	4WUT24MARM	WOOD UTILITY TRAY CUT-TO-SIZE DOVETAIL DRAWER 24" CABINET	\$ 175.00
Prep	4WUT24RARM	WOOD UTILITY TRAY CUT-TO-SIZE STANDARD DRAWER 24" CABINET	\$ 175.00
Prep	4WUTKB27MARM	WOOD UTILITY TRAY & KNIFE BLOCK CUT-TO-SIZE DOVETAIL DRAWER 27" CAB.	\$ 326.00
Prep	4WUTKB27RARM	WOOD UTILITY TRAY & KNIFE BLOCK CUT-TO-SIZE STANDARD DRAWER 27" CAB.	\$ 326.00
Prep	4WUTKB30MARM	WOOD UTILITY TRAY & KNIFE BLOCK CUT-TO-SIZE DOVETAIL DRAWER 30" CAB.	\$ 326.00
Prep	4WUTKB30RARM	WOOD UTILITY TRAY & KNIFE BLOCK CUT-TO-SIZE STANDARD DRAWER 30" CAB.	\$ 326.00
Prep	4WUTKB33MARM	WOOD UTILITY TRAY & KNIFE BLOCK CUT-TO-SIZE DOVETAIL DRAWER 33" CAB.	\$ 326.00
Prep	4WUTKB33RARM	WOOD UTILITY TRAY & KNIFE BLOCK CUT-TO-SIZE STANDARD DRAWER 33" CAB.	\$ 326.00
Prep	4WUTKB36MARM	WOOD UTILITY TRAY & KNIFE BLOCK CUT-TO-SIZE DOVETAIL DRAWER 36" CAB.	\$ 326.00
Prep	4WUTKB36RARM	WOOD UTILITY TRAY & KNIFE BLOCK CUT-TO-SIZE STANDARD DRAWER 36" CAB.	\$ 326.00
Prep	SPT15	SPICE TRAY INSERT CUT TO SIZE FOR BASE 15 WHITE	\$ 69.00
Prep	SPT18	SPICE TRAY INSERT CUT TO SIZE FOR BASE 18 WHITE	\$ 72.00
Prep	SPT21	SPICE TRAY INSERT CUT TO SIZE FOR BASE 21 WHITE	\$ 80.00
Prep	SPT24	SPICE TRAY INSERT CUT TO SIZE FOR BASE 24 WHITE	\$ 90.00
Tableware Storage	315011BR	11" STEMWARE HOLDER BRASS	\$ 58.00
Tableware Storage	315011CR	11" STEMWARE HOLDER CHROME	\$ 58.00
Tableware Storage	315011SN	11" STEMWARE HOLDER SATIN NICKEL	\$ 57.00
Tableware Storage	345011BR	11" QUAD STEMWARE HOLDER BRASS	\$ 111.00
Tableware Storage	345011CR	11" QUAD STEMWARE HOLDER CHROME	\$ 97.00
Tableware Storage	345011SN	11" QUAD STEMWARE HOLDER SATIN NICKEL	\$ 108.00
Tableware Storage	4DPS2519MARM	DRAWER PEG SYSTEM CUT-TO-SIZE MAPLE DRAWERS	\$ 215.00
Tableware Storage	4DPS2519RARM	DRAWER PEG SYSTEM CUT-TO-SIZE RUBBER WOOD DRAWERS	\$ 215.00
Tableware Storage	4DPS3119MARM	DRAWER PEG SYSTEM CUT-TO-SIZE MAPLE DRAWERS	\$ 238.00
Tableware Storage	4DPS3119RARM	DRAWER PEG SYSTEM CUT-TO-SIZE RUBBER WOOD DRAWERS	\$ 238.00
Tableware Storage	4DPSPEG4ARM	DRAWER PEG SYSTEM REPLACEMENT PEGS 4 PER SET	\$ 32.00



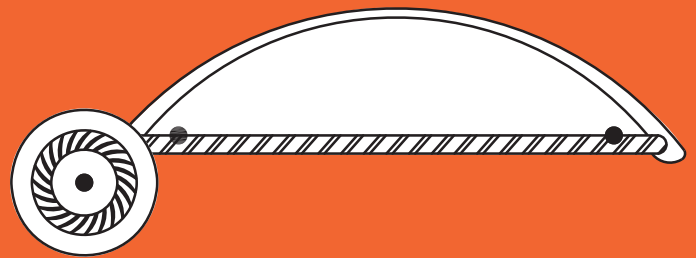
SOLUTION TYPE	PART #	DESCRIPTION	LIST
Tableware Storage	4WCT15MARM	WOOD CUTLERY TRAY CUT-TO-SIZE DOVETAIL DRAWER 15" CABINET	\$ 151.00
Tableware Storage	4WCT15RARM	WOOD CUTLERY TRAY CUT-TO-SIZE STANDARD DRAWER 15" CABINET	\$ 151.00
Tableware Storage	4WCT18MARM	WOOD CUTLERY TRAY CUT-TO-SIZE DOVETAIL DRAWER 18" CABINET	\$ 151.00
Tableware Storage	4WCT18RARM	WOOD CUTLERY TRAY CUT-TO-SIZE STANDARD DRAWER 18" CABINET	\$ 151.00
Tableware Storage	4WCT21MARM	WOOD CUTLERY TRAY CUT-TO-SIZE DOVETAIL DRAWER 21" CABINET	\$ 175.00
Tableware Storage	4WCT21RARM	WOOD CUTLERY TRAY CUT-TO-SIZE STANDARD DRAWER 21" CABINET	\$ 175.00
Tableware Storage	4WCT24MARM	WOOD CUTLERY TRAY CUT-TO-SIZE DOVETAIL DRAWER 24" CABINET	\$ 175.00
Tableware Storage	4WCT24RARM	WOOD CUTLERY TRAY CUT-TO-SIZE STANDARD DRAWER 24" CABINET	\$ 175.00
Tableware Storage	4WCTUT27MARM	WOOD CUTLERY TRAY & UTILITY TRAY CUT-TO-SIZE DOVETAIL DRAWER 27" CAB.	\$ 287.00
Tableware Storage	4WCTUT27RARM	WOOD CUTLERY TRAY & UTILITY TRAY CUT-TO-SIZE STANDARD DRAWER 27" CAB.	\$ 274.00
Tableware Storage	4WCTUT30MARM	WOOD CUTLERY TRAY & UTILITY TRAY CUT-TO-SIZE DOVETAIL DRAWER 30" CAB.	\$ 287.00
Tableware Storage	4WCTUT30RARM	WOOD CUTLERY TRAY & UTILITY TRAY CUT-TO-SIZE STANDARD DRAWER 30" CAB.	\$ 274.00
Tableware Storage	4WCTUT33MARM	WOOD CUTLERY TRAY & UTILITY TRAY CUT-TO-SIZE DOVETAIL DRAWER 33" CAB.	\$ 280.00
Tableware Storage	4WCTUT33RARM	WOOD CUTLERY TRAY & UTILITY TRAY CUT-TO-SIZE STANDARD DRAWER 33" CAB.	\$ 280.00
Tableware Storage	4WCTUT36MARM	WOOD CUTLERY TRAY & UTILITY TRAY CUT-TO-SIZE DOVETAIL DRAWER 36" CAB.	\$ 280.00
Tableware Storage	4WCTUT36RARM	WOOD CUTLERY TRAY & UTILITY TRAY CUT-TO-SIZE STANDARD DRAWER 36" CAB.	\$ 280.00
Tableware Storage	5PD24CR	PULL-DOWN SHELVING SYSTEM 24" CABINET	\$ 777.00
Tableware Storage	CT15	CUTLERY TRAY FOR BASE 15 WHITE	\$ 56.00
Tableware Storage	CT18	CUTLERY TRAY FOR BASE 18 WHITE	\$ 61.00
Tableware Storage	CT21	CUTLERY TRAY FOR BASE 21 WHITE	\$ 71.00
Tableware Storage	CT24	CUTLERY TRAY FOR BASE 24 WHITE	\$ 78.00
Tableware Storage	RT15	ROLLING DOUBLE CUTLERY TRAY FOR BASE 15	\$ 100.00
Tableware Storage	RT18	ROLLING DOUBLE CUTLERY TRAY FOR BASE 18	\$ 102.00
Tableware Storage	RT21	ROLLING DOUBLE CUTLERY TRAY FOR BASE 21	\$ 115.00
Tableware Storage	RT24	ROLLING DOUBLE CUTLERY TRAY FOR BASE 24	\$ 119.00
Tableware Storage	UT15	GLOSSY UTILITY TRAY CUT TO SIZE FOR BASE 15 WHITE	\$ 60.00
Tableware Storage	UT21	GLOSSY UTILITY TRAY CUT TO SIZE FOR BASE 21 WHITE	\$ 77.00
Tableware Storage	UT24	GLOSSY UTILITY TRAY CUT TO SIZE FOR BASE 24 WHITE	\$ 81.00

Part #	Manufacturer #	Description	List
<b>GLASS INSERT ACCESSORIES</b>			
GLASSCLIPS		Set of 8 clips for glass inserts	\$ 10.00
GLASSRETAINER		Vinyl Insert Retainer 11' length	\$ 10.00
<b>DRAWER GUIDES &amp; PARTS</b>			
AVGRASSET21	Various	21" Deep Drawer Guide Set	\$ 14.00
AVGRASSET24		24" Deep Drawer Guide Set	\$ 14.00
DYNPROPBSET24	Various	24" Deep Dovetail Soft-Close Dynapro PB Guide Set for all Peninsula cabinets	\$ 125.00
DYNPROHD24SET	AHNDYP1204	24" Deep Soft-Close Drawer Guide Set for DB__-2 cabinets	\$ 130.00
DYNPROSET18	Various	18" Deep Dovetail Soft-Close Dynapro Guide Set for use on all 18" deep cabinets and Deluxe Shelf Tray	\$ 117.00
DYNPROSET21	Various	21" Deep Dovetail Soft-Close Dynapro Guide Set for use on all 21" deep cabinets and Deluxe Shelf Tray	\$ 117.00
DYNPROSET24	Various	24" Deep Dovetail Soft-Close Dynapro Guide Set for use on all 24" deep cabinets and Deluxe Shelf Tray	\$ 117.00
DYNPROVB36SET18	Various	18" Deep VB36 Dynapro Guide Set Dovetail Soft-Close	\$ 117.00
DYNPROVB36SET21	Various	21" Deep VB36 Dynapro Guide Set Dovetail Soft-Close	\$ 117.00
EXGRASSET18	Various	Complete drawer guide set for 18" drawer box Extreme	\$ 14.00
EXGRASSET21	Various	Complete drawer guide set for 21" drawer box Extreme	\$ 14.00
EXGRASSET24	Various	Complete drawer guide set for 24" drawer box Extreme	\$ 14.00
EXRPRBSET24		24" Deep PB Express Guide Set EX	\$ 40.00
EXRPRSET18		18" Deep Express Guide Set EX	\$ 40.00
EXRPRSET21		21" Deep Express Guide Set EX	\$ 40.00
EXRPRSET24		24" Deep Express Guide Set EX	\$ 40.00
FER550FSET24	Various	Heavy duty drawer guide set (L & R pair) for DB30 & FDB18 cabinet	\$ 89.00
GRCUSHSET18	Various	Complete drawer guide set for 18" drawer box PR & AW	\$ 14.00
GRCUSHSET21	Various	Complete drawer guide set for 21" drawer box PR & AW	\$ 14.00
GRCUSHSET24	Various	Complete drawer guide set for 24" drawer box PR & AW	\$ 14.00
GUIDESPACER	AHNMEPSPAC	Pull out tray drawer guide spacer	\$ 1.00
LCABGRRAIL18	AHNGRA10CL	Left drawer guide member (18" deep) attach to cabinet	\$ 3.00
LCABGRRAIL21	AHNGRA09CL	Left drawer guide member (21" deep) attach to cabinet	\$ 3.00
LCABGRRAIL24	AHNGRA08CL	Left drawer guide member (24" deep) attach to cabinet	\$ 3.00
LCABRAILEX18	AHNGRA18CL	Left drawer guide member (18" deep) attach to cabinet	\$ 3.00
LCABRAILEX21	AHNGRA20CL	Left drawer guide member (21" deep) attach to cabinet	\$ 3.00
LCABRAILEX24	AHNGRA23CL	Left drawer guide member (24" deep) attach to cabinet	\$ 3.00
LDWRGRRAIL18	AHNGRA10DL	Left drawer guide member (18" deep) attach to drawer	\$ 3.00
LDWRGRRAIL21	AHNGRA09DL	Left drawer guide member (21" deep) attach to drawer	\$ 3.00
LDWRGRRAIL24	AHNGRA08DL	Left drawer guide member (24" deep) attach to drawer	\$ 3.00
LDWRRRAILEX18	AHNGRA18DL	Left drawer guide member (18" deep) attach to drawer	\$ 3.00
LDWRRRAILEX21	AHNGRA20DL	Left drawer guide member (21" deep) attach to drawer	\$ 3.00
LDWRRRAILEX24	AHNGRA23DL	Left drawer guide member (24" deep) attach to drawer	\$ 3.00
PBFULACCESSL	AHNUMPF19L	Left Dovetail Full Access peninsula base slide assembly	\$ 40.00
PBFULACCESSR	AHNUMPF19R	Right Dovetail Full Access peninsula base slide assembly	\$ 40.00
PBSOFTCLOSEL	AHNUMPS19L	Left Dovetail Soft-Close peninsula base slide assembly	\$ 84.00

Part #	Manufacturer #	Description	List
<b>DRAWER GUIDES &amp; PARTS (continued)</b>			
PBSOFTCLOSER	AHNUMPS19R	Right Dovetail Soft-Close peninsula base slide assembly	\$ 84.00
RCABGRRAIL18	AHNGRA10CR	Right drawer guide member (18" deep) attach to cabinet	\$ 3.00
RCABGRRAIL21	AHNGRA09CR	Right drawer guide member (21" deep) attach to cabinet	\$ 3.00
RCABGRRAIL24	AHNGRA08CR	Right drawer guide member (24" deep) attach to cabinet	\$ 3.00
RCABRAILEX18	AHNGRA18CR	Right drawer guide member (18" deep) attach to cabinet	\$ 3.00
RCABRAILEX21	AHNGRA20CR	Right drawer guide member (21" deep) attach to cabinet	\$ 3.00
RCABRAILEX24	AHNGRA23CR	Right drawer guide member (24" deep) attach to cabinet	\$ 3.00
RDWRGRRAIL18	AHNGRA10DR	Right drawer guide member (18" deep) attach to drawer	\$ 3.00
RDWRGRRAIL21	AHNGRA09DR	Right drawer guide member (21" deep) attach to drawer	\$ 3.00
RDWRGRRAIL24	AHNGRA08DR	Right drawer guide member (24" deep) attach to drawer	\$ 3.00
RDWRRRAILEX18	AHNGRA18DR	Right drawer guide member (18" deep) attach to drawer	\$ 3.00
RDWRRRAILEX21	AHNGRA20DR	Right drawer guide member (21" deep) attach to drawer	\$ 3.00
RDWRRRAILEX24	AHNGRA23DR	Right drawer guide member (24" deep) attach to drawer	\$ 3.00
<b>BRACKETS AND SOCKETS</b>			
5PCDWRFRTRBRKT	AHNSNOMAN	5-Piece dwrfront-dwrbx Bracket	\$ 5.00
BBDBSKTSET	AHNTC61500	Ball Bearing DB Socket Set	\$ 4.00
BRCORNBRAK	AHNCBH437	Brown plastic base cabinet corner bracket	\$ 1.00
DYNAPROLOCKL	AHNDYP233L	Dynapro Front Bracket Left	\$ 5.00
DYNAPROLOCKNL	AHNDYD233L	Front Bracket L (Tooth Paste Drawer)	\$ 5.00
DYNAPROLOCKNR	AHNDYD233R	Front Bracket R (Tooth Paste Drawer)	\$ 5.00
DYNAPROLOCKR	AHNDYP233R	Dynapro Front Bracket Right	\$ 5.00
DYNPROBRACKETS	AHNTAN294	Dynapro Back Sockets	\$ 3.00
EXPRSOCKETL		Express Back Socket L	\$ 3.00
EXPRSOCKETR		Express Back Socket R	\$ 3.00
GRASSBRACKET	AHNTENBRKT	Rear bracket (plug-in) Premier and Allwood	\$ 1.00
GRASSBRKTEXT	AHNRGRASKT	Rear socket Extreme	\$ 1.00
PB SOCKET	AHNGRAPBKT	Peninsula socket	\$ 1.00
STBRACKET	AHNGRASPAC	Roll-out tray bracket	\$ 1.00
WHCORNBRACK	AHNCBWH437	White plastic base cabinet corner bracket	\$ 1.00
<b>BACK &amp; FLOOR MATERIAL</b>			
BACKS4X5C	APWB3MF145	48" x 60" x 1/8" back material Allwood with clear coat	\$ 134.00
BACKS4X5M	AHBPL1A4X5	48" x 60" x 1/8" back material with maple interior paper	\$ 59.00
BACKS4X5W	AHBPW1S4X5	48" x 60" x 1/8" back material with white interior paper	\$ 71.00
BACKS5X8M	AHBPL1A5X8	60" x 96" x 1/8" back material with maple interior paper	\$ 89.00
BACKS5X8W	AHBPW1S5X8	60" x 96" x 1/8" back material with white interior paper	\$ 109.00
COVERCAP WHT	AHNTT780W	8 MM Cover Cap, White	\$ 0.28
COVERCAP BGE	AHNTT780B	8 MM Cover Cap, Beige	\$ 0.28
FIBACK4X8		48" X 96" Finished Back	\$ 175.00
FLOOR4X9M	APBLAM14X9	48" x 108" x 1/2" floor material with maple interior paper, 1 side	\$ 109.00
FLOOR4X9W	APBLV1W4X9	48" x 108" x 1/2" floor material with white interior paper 1 side	\$ 134.00
MICROSHLF	AAPKV34123	Shelf for microwave cabinets (Stained to match Frame)	\$ 151.00

Part #	Manufacturer #	Description	List
<b>HINGES</b>			
BSQC36DR-DR	AHNTPIEDDA	Hinge Assembly BSQC Door-Door	\$ 18.00
BSQC36DR-FRM	AHNTPIEDFA	Hinge Assembly BSQC Door-Frame Concealed	\$ 14.00
BSQC36HINGE	AHNTPIEDFA/DDA	Hinge Assembly for BSQC36 Concealed	\$ 34.00
BSQC36WRAPHINGE	AHNTPIEDDA / AHN6541BB	Hinge Assembly for BSQC36 Wrap	\$ 26.00
FEOCONCHINGE	AHN6FER175	Concealed 6-way adjustable hinge (1/8" reveal full overlay door styles)	\$ 7.00
FER2WAYHINGE	AHN707142G	Concealed 2-way adjustable hinge (Prima only)	\$ 7.00
FERCONCHINGE	AHN6FER176	Concealed 6-way adjustable hinge (1/4" reveal full overlay door styles)	\$ 7.00
FLATMTHINGE	AHN7531BB	Brass wrap hinge face mount (standard reveal microwave or oven cabinet)	\$ 5.00
FRCONCHINGE	AHN6FER170	Gentle Touch Soft-Close adjustable hinge (standard reveal door styles and all corner wall cabinets)	\$ 7.00
GNTLTCHHNGFM	AHNTGRA863	Oven Soft-close inge, face mount	\$ 8.00
GNTLTCHHNGFO	AHN6SC910A	Gentle Touch Soft-close adjustable hinge, full overlay 1/4" reveal door styles	\$ 8.00
GNTLTCHHNGFOO	AHN6SC782A	Gentle Touch Soft-close adjustable hinge, full overlay 1/8" reveal door styles (Waverly, Tiara, Quadric)	\$ 8.00
GNTLTCHHNGSR	AHN6SC870A	Consealed 6-way adjustable hinge (standard reveal door styles and all corner wall cabinets)	\$ 8.00
GROMMET	AHNT2010PS	Black grommet (Installed into door for screw to screw into)	\$ 0.37
TEC830CHINGE	AHNMEP153	Chrome concealed hinge face mount (1/8", 1/4" reveal full overlay door styles WEC cabinets only)	\$ 7.00
TOTHINGESET	AHN6552H95	Tilt Out Tray Hinge Set	\$ 15.00
TOTSSHINGESET	AHW220SC50	Tilt Out Soft Close Hinge Set	\$ 45.00
WRAPMTHINGE	AHN7541BB	Brass wrap hinge (standard reveal only) 180° hinge	\$ 3.00
<b>CLIPS AND PADS</b>			
BCCLIPSELF	AHNS28204N	Metal spoon 1/4" bookcase and utility cabinet shelf clips	\$ 2.00
BDWCLIPSET		BDW Front Clip and Dowel	\$ 1.00
BLSHELFCLIP	AHNTT605CL	Base cabinet shelf support for 15mm shelves, left hand	\$ 1.00
BRSHLFCLIP	AHNTT605CR	Base cabinet shelf support for 15mm shelves, right hand	\$ 1.00
BUMPERPADCLR	AHNCSBU070	Clear bumper pads FULL OVERLAY DOOR STYLES ONLY	\$ 0.14
DMFRTCLIP	AHNFB100	Dummy front plastic clips	\$ 1.00
HUDCLIPSELF	AHNJAW130	HUD 1/2" adjustable shelf clips (UC cabinets only)	\$ 1.00
WSHELFCLIP	AHNTENT605	Wall cabinet shelf support for 15mm shelves	\$ 1.00
<b>SHELVES</b>			
BDCSHELF	AHN3001281	28" Shelf White for BCD36	\$ 102.00
BDCSHELFWOOD	AHN4WLS041	28" Wood Circle Tray for BDC36	\$ 367.00
BRCPOSTKIT	AHN3472412	Hardware kit for BRC Rotary Shelves for BRC's and BDC's	\$ 45.00
BRCPOSTKITWOOD	AHN42LS672	Wood Tray Hardware Pack for BRC's and BDC's	\$ 148.00
BRC SHELF	AHN3401281	28" Shelf, White for BRC33 and BRC36	\$ 113.00
BRC SHELFWOOD	AHN4WLS441	28" Wood Kidney Susan Tray for BRCWT33 and BRCWT36	\$ 367.00
BSQCSSSHELF	AHN4BWS401	32" BSQC36SS SHELF	\$ 197.00
CAR36POSTKIT	AHN6942424	Hardware kit and post support for rotary shelf	\$ 66.00
CAR36SHELF	AHN6942114	Rotary shelf only for CAR36	\$ 45.00
CWS30POSTKIT	AHN6022044	Hardware kit and post support for 30" H corner wall rotary shelves	\$ 30.00
CWS42POSTKIT	AHN6022046	Hardware kit and post support for 42" H corner wall rotary shelves	\$ 55.00
CWSSHELF	AHN6001114	Rotary shelf only for CW2430 or CW2442	\$ 45.00
MICROSHELF	AAPKV34123	Shelf for microwave cabinets (Stained to match Frame)	\$ 151.00

Part #	Manufacturer #	Description	List
<b>SCREWS</b>			
SCW15	AHN157	#6 x 1/2" Zinc screw Ph scan hinge/Piecut hinge/Plate to door	\$ 0.23
SCW17	AHN17Z	#8 x 7/8" Zinc screw half thread/Falcatta drawer box to front	\$ 0.23
SCW18	AHNSCW18	#6 x 3/4" Zinc screw/c-tec guide to frame for pullout shelf tray/face mount hinge to face frame/base plate to face frame	\$ 0.23
SCW41B	AHNSCW41B	#5 x 5/8" Ab screw/Hud doors hinge to door/undermount drawer guide to face frame/front catch to Dovetail drw.box	\$ 0.23
SCW49	AHNSCW49	#8 x 1" Zinc screw/Allwood drawer box to drawer front	\$ 0.23
SCW50A	AHNSCW50A	#8 x 7/8" Zinc screw/concealed to cabinet face frame/bottom holes in AW drawer box Quadric	\$ 0.23
SCW50B	AHNSCW50B	#8 x 7/8" AB screw/wrap hinge to cabinet frame	\$ 0.23
SCW90	AHNSCW9024	#8 x 1 1/8" Zince screw 17Z/Half thread/Dovetail drawer box to front	\$ 0.23
SCW9406	AHNSCW9406	#8 x 1 1/4" Washerhead Screw- used to attach the drawer front to the EX Drawer box	\$ 0.23
SCWO4B	AHNSCWM04B	#6 x 7/16" AB screw/wrap hinge to door & drawer guide to drw.box/c-tec to cabinet frame	\$ 0.23
<b>MISC OTHER</b>			
DRIPTRAY30	AHNSDTSB30	30" Wide Drip Tray	\$ 148.00
DRIPTRAY36	AHNSDTSB36	36" Wide Drip Tray	\$ 148.00
SCD		Soft-close Door Dampener (shipped separately for field installation)	\$ 22.00
TAMDOORKIT		Tambour door kit for appliance garage-specify AG2418, SAG2418 or SAG3018	\$ 170.00
WRL1830		Wine rack lattice for WR1830 (order under species style code)	\$ 152.00
WRL3018		Wine rack lattice for WR3018 (order under species style code)	\$ 174.00
WRL3615		Wine rack lattice for WR3615 (order under species style code)	\$ 155.00



HARDWARE

**FINISHING TOUCHES TO COMPLETE YOUR DESIGN**

In architecture and interior design every element has a role in creating the vision and essence of your space. Beyond the beautiful cabinets, there are other decisions to consider. Decorative hardware becomes a cohesive part of the style and design. Echelon Cabinetry offers numerous options in decorative hardware to complement and enhance a vast array of rooms, homes and spaces. Choose from a wide selection of contemporary, transitional, eclectic, or traditional knobs and pulls in a variety of finishes, to personalize your cabinets to fit you.

**AVAILABLE FINISHES / CODES**



**DECORATIVE HARDWARE BOARDS**

**DBARM-E1**

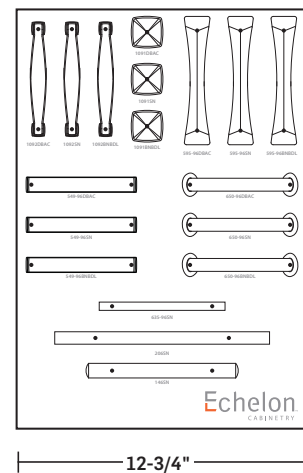
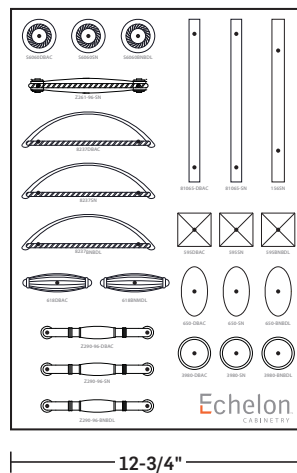
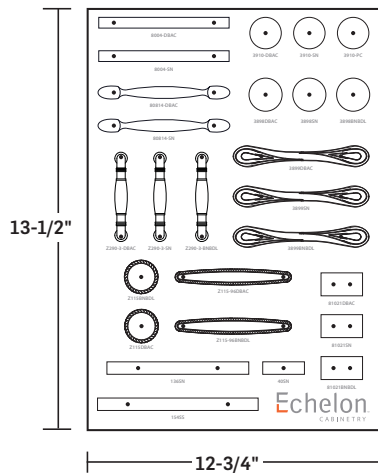
- 12-3/4" w x 13-1/2" h
- Holds 26 pieces of hardware









**DBARM-E2**

- 12-3/4" w x 13-1/2" h
- Holds 24 pieces of hardware

**DBARM-E3**

- 12-3/4" w x 13-1/2" h
- Holds 18 pieces of hardware












PRODUCT DESCRIPTION		FINISH OFFERINGS							
		BRUSHED PEWTER	DISTRESSED PEWTER	GUN METAL	OIL RUBBED BRONZE	POLISHED NICKEL	POLISHED CHROME	SATIN NICKEL	STAINLESS STEEL
	146mm Overall Length Cabinet Bar Pull Holes are 96mm center-to-center							146SN	
	156mm Overall Length Cabinet Bar Pull Holes are 96mm center-to-center							156SN	
	178mm Overall Length Cabinet Bar Pull Holes are 96mm center-to-center							178SN	
	206mm Overall Length Cabinet Bar Pull Holes are 96mm center-to-center							206SN	
	242mm Overall Length Cabinet Bar Pull Holes are 96mm center-to-center							242SN	
	274mm Overall Length Cabinet Bar Pull Holes are 96mm center-to-center							274SN	
	370mm Overall Length Cabinet Bar Pull Holes are 96mm center-to-center							370SN	
	154mm Overall Length Hollow Stainless Steel Cabinet Bar Pull Holes are 96mm center-to-center								154SS
	204mm Overall Length Hollow Stainless Steel Cabinet Bar Pull Holes are 96mm center-to-center								204SS
	4-1/4" Overall Length Zinc Die Cast Plain Square Cabinet Pull Holes are 96mm center-to-center	1092 BNBDL		1092 DACM	1092 DBAC			1092 SN	
	5-9/16" Overall Length Zinc Die Cast Plain Square Cabinet Pull Holes are 128mm center-to-center	1092-128 BNBDL		1092-128 DACM	1092-128 DBAC			1092-128 SN	
	6-13/16" Overall Length Zinc Die Cast Plain Square Cabinet Pull Holes are 160mm center-to-center	1092-160 BNBDL		1092-160 DACM	1092-160 DBAC			1092-160 SN	
	40mm Overall T Cabinet Knob							40SN	
	6-13/16" Overall Length Zinc Die Cast Cabinet Pull Holes are 160mm center-to-center	519-160 BNBDL			519-160 DBAC			519-160 SN	
	5-3/8" Overall Length Cabinet Bar Pull Holes are 96mm center-to-center							596SN	
	6-5/8" Overall Length Cabinet Bar Pull Holes are 128mm center-to-center							5128SN	
	9-1/8" Overall Length Cabinet Bar Pull Holes are 192mm center-to-center							5192SN	
	10-3/8" Overall Length Cabinet Bar Pull Holes are 224mm center-to-center							5224SN	
	14-1/8" Overall Length Cabinet Bar Pull Holes are 319mm center-to-center							5319SN	
	20-1/2" Overall Length Cabinet Bar Pull Holes are 480mm center-to-center							5480SN	

All hardware comes packaged with the appropriate amount of 8/32" x 1" Screws.

EchelonCabinetry.com

















toll free 800.522.0183



PRODUCT DESCRIPTION	FINISH OFFERINGS							
	BRUSHED PEWTER	DISTRESSED PEWTER	GUN METAL	OIL RUBBED BRONZE	POLISHED NICKEL	POLISHED CHROME	SATIN NICKEL	STAINLESS STEEL
 8" Overall Length Cabinet Pull Holes are 192mm center-to-center	549-192 BNBDL			549-192 DBAC			549-192 SN	
 4-13/16" Overall Length Zinc Die Cast Cabinet Pull Holes are 96mm center-to-center	595-96 BNBDL			595-96 DBAC			595-96 SN	
 6-1/16" Overall Length Zinc Die Cast Cabinet Pull Holes are 128mm center-to-center	595-128 BNBDL			595-128 DBAC			595-128 SN	
 2-1/4" Overall Length Cabinet Pull Holes are 32mm center-to-center				635-32 DBAC		635-32 PC	635-32 SN	
 4-3/4" Overall Length Cabinet Pull Holes are 96mm center-to-center				635-96 DBAC		635-96 PC	635-96 SN	
 7-1/2" Overall Length Cabinet Pull Holes are 160mm center-to-center				635-160 DBAC		635-160 PC	635-160 SN	
 4-7/8" Overall Length Cabinet Pull Holes are 96mm center-to-center				8004- DBAC			8004- SN	
 1-9/16" Overall Length Zinc Die Cast Cabinet Knob Holes are 5/8" center-to-center	81021 BNBDL			81021 DBAC			81021 SN	
 6" Overall Length Cabinet Pull Holes are 128mm center-to-center				81065- DBAC			81065- SN	

All hardware comes packaged with the appropriate amount of 8/32" x 1" Screws.

















# DECORATIVE HARDWARE – TRANSITIONAL

PRODUCT DESCRIPTION		FINISH OFFERINGS							
		BRUSHED PEWTER	DISTRESSED PEWTER	GUN METAL	OIL RUBBED BRONZE	POLISHED NICKEL	POLISHED CHROME	SATIN NICKEL	STAINLESS STEEL
	1-1/4" Diameter Button Cabinet Knob							117SN	
	1-3/16" Overall Length Zinc Die Cast Plain Square Cabinet Knob	1091 BNBDL		1091 DACM	1091 DBAC			1091 SN	
	5-1/8" Overall Length Westbury Pull Holes are 3" center-to-center	3899 BNBDL			3899 DBAC			3899 SN	
	1-1/4" Overall Length Pillow Cabinet Knob	435 BNBDL		435 DACM	435 DBAC			435SN	
	1-1/2" Overall Length Pillow Cabinet Knob	435L- BNBDL			435L- DBAC			435L- SN	
	5" Overall Length Pillow Cabinet Pull Holes are 96mm center-to-center	435-96 BNBDL		435-96 DACM	435-96 DBAC			435-96 SN	
	6-1/4" Overall Length Pillow Cabinet Pull Holes are 128mm center-to-center	435-128 BNBDL		435-128 DACM	435-128 DBAC			435-128 SN	
	7-5/8" Overall Length Pillow Cabinet Pull Holes are 160mm center-to-center	435-160 BNBDL		435-160 DACM	435-160 DBAC			435-160 SN	
	5" Overall Length Pillow Cup Cabinet Pull Holes are 96mm center-to-center	436-96 BNBDL		436-96 DACM	436-96 DBAC			436-96 SN	
	6-1/4" Overall Length Pillow Cup Cabinet Pull Holes are 128mm center-to-center	436-128 BNBDL		436-128 DACM	436-128 DBAC			436-128 SN	
	1-9/16" x 13/16" Zinc Die Cast Cabinet Knob	519 BNBDL			519DBAC DBAC			519SN	
	4-1/4" Overall Length Zinc Die Cast Cabinet Pull	519-96 BNBDL			519-96 DBAC			519-96 SN	
	4-5/8" Overall Length Gavel Cabinet Pull Holes are 96mm center-to-center			527 DACM	527 DBAC			527SN	
	5-7/8" Overall Length Gavel Cabinet Pull Holes are 128mm center-to-center			527-128 DACM	527-128 DBAC	572-128 NI		527-128 SN	
	5-7/8" Overall Length Gavel Cabinet Pull Holes are 160mm center-to-center				527-160 DBAC	572-160 NI			
	4-3/16" Overall Length Cabinet Pull Holes are 96mm center-to-center	549-96 BNBDL			549-96 DBAC			549-96 SN	








All hardware comes packaged with the appropriate amount of 8/32" x 1" Screws.

EchelonCabinetry.com













toll free 800.522.0183

PRODUCT DESCRIPTION	FINISH OFFERINGS							
	BRUSHED PEWTER	DISTRESSED PEWTER	GUN METAL	OIL RUBBED BRONZE	POLISHED NICKEL	POLISHED CHROME	SATIN NICKEL	STAINLESS STEEL
 5-1/2" Overall Length Cabinet Pull Holes are 128mm center-to-center	549-128 BNBDL			549-128 DBAC			549-128 SN	
 6-3/4" Overall Length Cabinet Pull Holes are 160mm center-to-center	549-160 BNBDL			549-160 DBAC			549-160 SN	
 1-1/4" Overall Length Zinc Die Cast Cabinet Knob	595 BNBDL			595 DBAC			595SN	
 1-7/8" Overall Length Zinc Die Cast Cabinet Knob	650- BNBDL			650- DBAC			650-SN	
 4-3/8" Overall Length Zinc Die Cast Cabinet Pull Holes are 96mm center-to-center	650-96 BNBDL			650-96 DBAC			650-96 SN	
 5-5/8" Overall Length Zinc Die Cast Cabinet Pull Holes are 128mm center-to-center	650-128 BNBDL			650-128 DBAC			650-128 SN	
 6-15/16" Overall Length Zinc Die Cast Cabinet Pull Holes are 160mm center-to-center	650-160 BNBDL			650-160 DBAC			650-160 SN	
 6-13/16" Overall Length Strap Cabinet Pull Holes are 128mm center-to-center	80152-128 BNBDL			80152-128 DBAC			80152-128 SN	
 8-1/16" Overall Length Strap Cabinet Pull Holes are 160mm center-to-center	80152-160 BNBDL			80152-160 DBAC			80152-160 SN	
 5" Overall Length Cabinet Pull Holes are 96mm center-to-center				80814 DBAC			80814 SN	
 6-1/4" Overall Length Cabinet Pull Holes are 128mm center-to-center				80815 DBAC			80815 SN	
 5" Overall Length Shaker Cup Pull Holes are 96mm center-to-center	8237 BNBDL		8237 DACM	8237 DBAC			8237 SN	
 4-1/8" Overall Length Steel Wire Cabinet Pull Holes are 96mm center-to-center						S271-96 PC	S271-96 SN	
 1-1/4" Diameter Hollow Steel Rope Knob with Backplate	S6060 BNBDL			S6060 DBAC			S6060 SN	
 1-1/4" Diameter Zinc Die Cast Cabinet Pull with Rope Trim	Z115 BNBDL			Z115 DBAC				
 4-3/8" Overall Length Zinc Cabinet Pull with Rope Trim Holes are 96mm center-to-center	Z115-96 BNBDL			Z115-96 DBAC				






All hardware comes packaged with the appropriate amount of 8/32" x 1" Screws.

PRODUCT DESCRIPTION	FINISH OFFERINGS							
	BRUSHED PEWTER	DISTRESSED PEWTER	GUN METAL	OIL RUBBED BRONZE	POLISHED NICKEL	POLISHED CHROME	SATIN NICKEL	STAINLESS STEEL
 1-1/4" Diameter Zinc Die Cast Cabinet Pull with Rope Detail			Z117-DACM					
 4-1/2" Overall Length Zinc Cabinet Pull with Rope Detail Holes are 96mm center-to-center	Z261-96 BNBDL			Z261-96 DBAC			Z261-96 SN	
 4-3/16" Overall Length Cabinet Pull Holes are 96mm center-to-center	Z280 BNBDL			Z280 DBAC				
 3-3/8" Overall Length Zinc Die Cast Cabinet Pull Holes are 3" center-to-center	Z290-3 BNBDL		Z290-3 DACM	Z290-3 DBAC			Z290-3 SN	
 4-1/4" Overall Length Zinc Die Cast Cabinet Pull Holes are 96mm center-to-center	Z290-96 BNBDL		Z290-96 DACM	Z290-96 DBAC			Z290-96 SN	
 5-1/2" Overall Length Zinc Die Cast Cabinet Pull Holes are 128mm center-to-center	Z290-128 BNBDL		Z290-128 DACM	Z290-128 DBAC			Z290-128 SN	
 6-3/4" Overall Length Zinc Die Cast Cabinet Pull Holes are 160mm center-to-center	Z290-160 BNBDL		Z290-160 DACM	Z290-160 DBAC			Z290-160 SN	

All hardware comes packaged with the appropriate amount of 8/32" x 1" Screws.

PRODUCT DESCRIPTION	FINISH OFFERINGS							
	BRUSHED PEWTER	DISTRESSED PEWTER	GUN METAL	OIL RUBBED BRONZE	POLISHED NICKEL	POLISHED CHROME	SATIN NICKEL	STAINLESS STEEL
 4-5/16" Overall Length Zinc Die Cast Decorated Square Cabinet Pull Holes are 96mm center-to-center	1094 BNBDL		1094 DACM	1094 DBAC			1094 SN	
 5-9/16" Overall Length Zinc Die Cast Decorated Square Cabinet Pull Holes are 128mm center-to-center	1094-128 BNBDL		1094-128 DACM	1094-128 DBAC			1094-128 SN	
 6-13/16" Overall Length Zinc Die Cast Decorated Square Cabinet Pull Holes are 160mm center-to-center	1094-160 BNBDL		1094-160 DACM	1094-160 DBAC			1094-160 SN	
 1-9/16" Overall Length Floral Oval Knob	1097 BNBDL			1097 DBAC				
 4-1/2" Overall Length Floral Cabinet Pull Holes are 96mm center-to-center	1098 BNBDL			1098 DBAC				
 1-9/16" Overall Length Zinc Die Cast Oval Baroque Cabinet Knob	211 BNBDL			211 DBAC				
 5-3/8" Overall Length Zinc Die Cast Baroque Cabinet Pull Holes are 96mm center-to-center	212-96 BNBDL			212-96 DBAC				
 4-3/8" Overall Length Zinc Die Cast Lafayette Cabinet Pull Holes are 96mm center-to-center	317-96 BNBDL			317-96 DBAC			317-96 SN	
 1-3/8" Overall Length Zinc Die Cast Lafayette Cabinet Knob	417 BNBDL			417 DBAC			417SN	
 2-5/8" Overall Length Ribbed Cabinet Knob		618 BNMDL		618 DBAC				
 5-5/8" Overall Length Zinc Die Cast Cabinet Pull Holes are 128mm center-to-center	650-128 BNBDL			650-128 DBAC			650-128 SN	
 5-15/16" Overall Length Glenmore Cabinet Pull with two backplates Holes are 128mm center-to-center		718-128 BNMDL		718-128 DBAC				

All hardware comes packaged with the appropriate amount of 8/32" x 1" Screws.

PRODUCT DESCRIPTION	FINISH OFFERINGS							
	BRUSHED PEWTER	DISTRESSED PEWTER	GUN METAL	OIL RUBBED BRONZE	POLISHED NICKEL	POLISHED CHROME	SATIN NICKEL	STAINLESS STEEL
 1-3/8" Diameter Cabinet Knob	0251 BNBDL			0251 DBAC				
 1-1/4" Diameter Button Cabinet Knob				117 DBAC	117 NI			
 1-1/4" Diameter Cabinet Knob	3898 BNBDL			3898 DBAC			3898 SN	
 1-3/16" Diameter Zinc Die Cast Cabinet Knob				3910- DBAC		3910- PC	3910- SN	
 1-1/4" Diameter Cabinet Knob	3980 BNBDL		3980 DACM	3980 DBAC			3980 SN	

All hardware comes packaged with the appropriate amount of 8/32" x 1" Screws.

# INDEX AND APPENDICES

NOMENCLATURE / ITEM	PAGE #	NOMENCLATURE / ITEM	PAGE #
<b>ACL</b> .....	9.11	<b>B-BDST</b> .....	4.5
Acanthus Corbel Large		Butt Door Base Cabinets with Shelf Tray	
<b>ACSPOTTOUCHUP</b> .....	10.5	<b>B-BDST2</b> .....	4.5
Aerosol Spot Touch Up		Butt Door Base Cabinets with 2-Shelf Trays	
<b>ACTOPCOAT</b> .....	10.5	<b>B-BDSTFH</b> .....	4.5
Aerosol Top Coat		Full Height Butt Door Base Cabinets with Shelf Tray	
<b>AG</b> .....	3.32	<b>B-BDST2FH</b> .....	4.5
Appliance Garage		Full Height Butt Door Base Cabinets with 2-Shelf Trays	
<b>ALDCG</b> .....	3.29	<b>B-CD</b> .....	4.9
Vetro Aluminum Doors		Base Cabinets with Cutlery Divider	
<b>ALDCGC</b> .....	3.29	<b>B-DST</b> .....	4.7
Corner Vetro Aluminum Doors		Base Cabinets with Deluxe Shelf Tray	
<b>ALR</b> .....	9.36	<b>B-DST2</b> .....	4.7, 4.8
Acanthus Light Rail Molding		Base Cabinets with 2-Deluxe Shelf Trays	
<b>AOSC</b> .....	9.38	<b>B-DST4</b> .....	4.8
Angled Outside Corner Molding		Base Cabinets with 4-Deluxe Shelf Trays	
<b>APVAL</b> .....	9.26	<b>B-FH</b> .....	4.1, 4.3
Applique Valances		Full Height Base Cabinets	
<b>ARVAL</b> .....	9.26	<b>B-FHx12</b> .....	4.3
Arched Valances		12" Deep Full Height Base Cabinets	
<b>ASB</b> .....	9.31	<b>B-GBH</b> .....	4.10, 4.13
Acanthus Base Molding		Base Cabinets with Grocery Bag Holder	
<b>ASC</b> .....	9.32	<b>B-MCB</b> .....	4.10, 4.14
Acanthus Casing Molding		Base Cabinets with Mounted Cutting Board	
<b>ASO</b> .....	9.12	<b>B-PPO</b> .....	4.9
Acanthus Onlay		Base Cabinet with Pantry Pull-Out Shelves	
<b>ATL</b> .....	9.18	<b>B-PPOSC</b> .....	4.9
Accent Turned Leg		Base Cabinet with Pantry Pull-Out Shelves with Soft-Close System	
<hr/>			
<b>B</b> .....	4.1, 4.3	<b>B-SDI</b> .....	4.10
Base Cabinets		Base Cabinets with Spice Drawer Insert	
<b>B-BD</b> .....	4.2	<b>B-ST</b> .....	4.4
Butt Door Base Cabinets		Base Cabinets with Shelf Tray	
<b>B-BDCD</b> .....	4.12	<b>B-ST2</b> .....	4.4, 4.6
Butt Door Base Cabinets with Cutlery Divider		Base Cabinets with 2-Shelf Trays	
<b>B-BDDST</b> .....	4.7	<b>B-ST4</b> .....	4.6
Butt Door Base Cabinets with Deluxe Shelf Tray		Base Cabinets with 4-Shelf Trays	
<b>B-BDDST2</b> .....	4.7	<b>B-STFH</b> .....	4.4
Butt Door Base Cabinets with 2-Deluxe Shelf Trays		Full Height Base Cabinets with Shelf Tray	
<b>B-BDFH</b> .....	4.2	<b>B-ST2FH</b> .....	4.4, 4.6
Full Height Butt Door Base Cabinets		Full Height Base Cabinets with 2-Shelf Trays	
<b>B-BDFHx12</b> .....	4.2	<b>B-ST4FH</b> .....	4.6
12" Deep Full Height Butt Door Base Cabinets		Full Height Base Cabinets with 4-Shelf Trays	
<b>B-BDGBH</b> .....	4.12	<b>B-TCD</b> .....	4.9
Butt Door Base Cabinets with Grocery Bag Holder		Base Cabinets with Tiered Cutlery Divider	
<b>B-BDMCB</b> .....	4.13	<b>B-WBD</b> .....	4.11
Butt Door Base Cabinets with Mounted Cutting Board		Base Cabinet with Double Waste Baskets	
<b>B-BSDI</b> .....	4.13	<b>B-WBDFH</b> .....	4.11
Butt Door Base Cabinets with Spice Drawer Insert		Full Height Base Cabinet with Double Waste Baskets	
		<b>B-WBS</b> .....	4.11
		Base Cabinet with Single Waste Basket	



NOMENCLATURE / ITEM	PAGE #	NOMENCLATURE / ITEM	PAGE #
<b>B-WBSFH</b> . . . . .	4.11	<b>BOC-RB</b> . . . . .	4.12
Full Height Base Cabinet with Single Waste Basket		Base Open Cabinet with Rattan Baskets	
<b>BA</b> . . . . .	4.2	<b>BOV</b> . . . . .	4.26
Base Cabinets for Accessories		Base Oven Cabinets	
<b>BA</b> . . . . .	9.15	<b>BP</b> . . . . .	9.15
Beaded Aster Block		Beaded Plinth Block	
<b>BA-FH</b> . . . . .	4.1	<b>BPC</b> . . . . .	9.10
Full Height Base Cabinets for Accessories		Base Plain Column	
<b>BAF-S</b> . . . . .	9.8	<b>BRB</b> . . . . .	9.15
Beaded Angle Filler		Beaded Rosette Block	
<b>BAT</b> . . . . .	9.38	<b>BRC</b> . . . . .	4.19
Batten Molding		Rotating Corner Base Cabinet	
<b>BC</b> . . . . .	8.1	<b>BRC-WT</b> . . . . .	4.19
Bookcases		Rotating Corner Base Cabinet with Wood Tray	
<b>BCB</b> . . . . .	4.24	<b>BS</b> . . . . .	4.43
Finished Interior Base Cabinet Bookcases		Base Knick Knack Shelf	
<b>BCF-PLY</b> . . . . .	9.6	<b>BSHL</b> . . . . .	9.18
Corner Base Plywood Cabinet Fillers		Base Shaker Leg	
<b>BCF-S</b> . . . . .	9.6	<b>BSL</b> . . . . .	9.17
Corner Base Cabinet Solid Wood Fillers		Base Straight Leg	
<b>BCSH</b> . . . . .	8.1	<b>BSQC</b> . . . . .	4.20, 4.21
Adjustable Bookcase Shelves		Corner Base Cabinet	
<b>BDB</b> . . . . .	9.31	<b>BSQC-SS</b> . . . . .	4.20
Beaded Base Molding		Easy Reach Corner Base Cabinet with Super Susan	
<b>BDC</b> . . . . .	4.20	<b>BTC</b> . . . . .	4.24
Base Diagonal Corner Cabinet		Base Transitional Cabinet	
<b>BDC-WT</b> . . . . .	4.20	<b>BTL</b> . . . . .	9.17
Base Diagonal Corner Cabinet with Wood Tray		Base Turned Leg	
<b>BDE</b> . . . . .	4.43	<b>BUF</b> . . . . .	3.36, 3.37
Base Cabinet Decorative End		Blower Units	
<b>BDW</b> . . . . .	4.26		
Base Dishwasher Cabinet			
<b>BEC</b> . . . . .	4.24	<b>CA</b> . . . . .	9.38
Base End Cabinet		Cabinet Angle Molding	
<b>BF-S</b> . . . . .	9.8	<b>CAR</b> . . . . .	4.19
Beaded Fillers		Rotating Corner Base Cabinet	
<b>BFC</b> . . . . .	9.10	<b>CB</b> . . . . .	4.43
Base Fluted Columns		Cutting Board	
<b>BFL</b> . . . . .	9.17	<b>CB</b> . . . . .	9.28
Base Fluted Leg		Center Beaded Insert Molding	
<b>BGE</b> . . . . .	9.23	<b>CC</b> . . . . .	9.13
Base Grooved End Panel		Carved Corbel	
<b>BLB</b> . . . . .	4.22	<b>CCKIT</b> . . . . .	10.5
Blind Base Cabinets		Cabinetry Care Kit	
<b>BLB-WLS</b> . . . . .	4.22	<b>CCUF-S</b> . . . . .	9.5
Blind Base Cabinets with Factory Installed Lazy Susan		Base Cabinet Filler Pull-Outs	
<b>BLW</b> . . . . .	3.8, 3.9	<b>CHB</b> . . . . .	9.38
Blind Wall Cabinets		Chair Rail Backer	
<b>BMC</b> . . . . .	4.25	<b>CHR</b> . . . . .	9.39
Microwave Base Cabinet		Chair Rail Molding	

NOMENCLATURE / ITEM	PAGE #	NOMENCLATURE / ITEM	PAGE #
<b>CIC</b> .....	9.35	<b>DB-PDO</b> .....	4.18
Cove Inside Corner Molding		Three Drawer Base Cabinets with Pegged Dish Organizer	
<b>CLEET</b> .....	9.44	<b>DB-SDI</b> .....	4.18
Cleet		Four Drawer Base Cabinets with Spice Drawer Insert	
<b>CLR</b> .....	9.36	<b>DB-TCD</b> .....	4.17
Cove Light Rail Molding		Four Drawer Base Cabinets with Tiered Cutlery Divider	
<b>COAM</b> .....	9.30	<b>DB-2</b> .....	4.15
Colonial Accent Molding		Two Drawer Base Cabinets	
<b>COB</b> .....	9.31	<b>DB-3</b> .....	4.14
Colonial Base Molding		Three Drawer Base Cabinets	
<b>COC</b> .....	9.32	<b>DB-3CD</b> .....	4.17
Colonial Casing Molding		Three Drawer Base Cabinets with Cutlery Divider	
<b>COI</b> .....	9.28	<b>DB-3BK</b> .....	4.16
Colonial Insert Molding		Three Drawer Base Cabinets with Bread Kit	
<b>COLR</b> .....	9.36	<b>DB-3SDI</b> .....	4.18
Colonial Light Rail Molding		Three Drawer Base Cabinets with Spice Drawer Insert	
<b>COVAL</b> .....	9.26	<b>DB-3TCD</b> .....	4.17
Colonial Valances		Three Drawer Base Cabinets with Tiered Cutlery Divider	
<b>CRM</b> .....	9.33	<b>DBARM-E</b> .....	11.1
Crown Moldings		Decorative Hardware Boards	
<b>CRVAL</b> .....	9.26	<b>DBD</b> .....	8.3
Crown Valances		Single Door and Drawer Desk Base Cabinets	
<b>CS</b> .....	9.11	<b>DBR</b> .....	4.25
Counter Support		Drawer Base Range Cabinets	
<b>CSC</b> .....	9.32	<b>DBR-PDO</b> .....	4.26
Clam Shell Casing Molding		Drawer Base Range Cabinets with Pegged Dish Organizer	
<b>CSF</b> .....	4.37	<b>DCB</b> .....	8.3
Corner Sink Fronts		Desk Computer Base Cabinet	
<b>CSF-FH</b> .....	4.37	<b>DCG</b> .....	3.27
Full Height Corner Sink Fronts		Doors Cut for Glass	
<b>CSFFL</b> .....	4.38	<b>DCG-BD</b> .....	3.27
Corner Sink Front Floors		Butt Door Doors Cut for Glass	
<b>CSHM</b> .....	9.43	<b>DCGC</b> .....	3.27
Colonial Shoe Molding		Corner Doors Cut for Glass	
<b>CTVAL</b> .....	9.26	<b>DCGWEC</b> .....	3.27
Country Valances		Door Cut for Glass Wall End Cabinets	
<b>CW</b> .....	3.11	<b>DD-T</b> .....	8.4
Corner Wall Cabinets		Desk Drawers	
<b>CWE</b> .....	9.39	<b>DDB</b> .....	8.3
Cove Wood Edge Molding		Desk Drawer Cabinets	
<b>CWS</b> .....	3.11	<b>DEP</b> .....	9.23
Corner Wall Cabinets with Lazy Susan		Desk End Panel	
<hr style="width: 25%; margin: 10px auto;"/>			
<b>DB</b> .....	4.14, 4.15	<b>DGCW</b> .....	3.11
Drawer Base Cabinets		Door Cut for Glass Corner Wall Cabinets	
<b>DB-CD</b> .....	4.16	<b>DGW</b> .....	3.1, 3.2, 3.4
Four Drawer Base Cabinets with Cutlery Divider		Door Cut for Glass Wall Cabinets	
<b>DB-BK</b> .....	4.16	<b>DGW-3</b> .....	3.6, 3.7
Four Drawer Base Cabinets with Bread Kit		Triple Door Cut for Glass Wall Cabinets	
		<b>DGW-BD</b> .....	3.3
		Door Cut for Glass Butt Door Wall Cabinets	

NOMENCLATURE / ITEM	PAGE #
<b>DGWEC</b> ..... 3.12 Door Cut for Glass Single Door Wall End Cabinets	
<b>DGW-SD</b> ..... 3.1 Single Door Cut for Glass Wall Cabinets	
<b>DIM</b> ..... 9.29 Dentil Inlay Molding	
<b>DIP</b> ..... 9.21 Dishwasher Insert Panel	
<b>DNT</b> ..... 9.28 Dentil Molding	
<b>DOA</b> ..... 9.11 Decorative Onlay Applique	
<b>DOOR.ONLY</b> ..... 9.25 Doors as Panels	
<b>DS</b> ..... 3.32 Drawer Storage	
<b>DSB</b> ..... 4.29 Diagonal Sink Base Cabinets	
<b>DST</b> ..... 4.41 Deluxe Pull-out Shelf Trays	
<b>DST-2</b> ..... 4.41 Deluxe Pull-out Shelf Trays	
<b>DST-4</b> ..... 4.41 Deluxe Pull-out Shelf Trays	
<b>DST-BD</b> ..... 4.42 Butt Door Deluxe Pull-out Shelf Trays	
<b>DST-BD-2</b> ..... 4.42 Butt Door Deluxe Pull-out Shelf Trays	
<b>DST-PC</b> ..... 4.41 Pantry Cabinet Deluxe Pull-out Shelf Trays	
<b>DWR</b> ..... 9.21 Dishwasher End Panel	
<hr/>	
<b>FA</b> ..... 9.15 Fluted Aster Block	
<b>FAF-S</b> ..... 9.8 Fluted Angle Filler	
<b>FBD</b> ..... 4.15 Furniture Bench Drawers	
<b>FBM</b> ..... 9.31 Furniture Base Molding	
<b>FCL</b> ..... 9.18 French Carved Leg	
<b>FDB</b> ..... 8.3 File Drawer Base Cabinet	
<b>FF-S</b> ..... 9.8 Fluted Fillers	
<b>FL</b> ..... 4.38 Sink Front Floors	

NOMENCLATURE / ITEM	PAGE #
<b>FP</b> ..... 9.15 Fluted Plinth Block	
<b>FPS</b> ..... 9.25 Finished Plywood Shelf	
<b>FRB</b> ..... 9.15 Fluted Rosette Block	
<b>FS</b> ..... 9.9 Floating Shelves	
<b>FS</b> ..... 9.23 Finished Skin	
<hr/>	
<b>G</b> ..... 10.2 Decorative Glass Inserts	
<b>G</b> <b>SHELF</b> ..... 10.3 Glass Shelves	
<b>GCL</b> ..... 9.13 Grape Corbel	
<b>GCM</b> ..... 9.13 Grape Series Corbel	
<b>GlassClips</b> ..... 10.1 Decorative Glass Insert Clips	
<b>GlassRetainer</b> ..... 10.1 Vinyl Retainer for Decorative Glass Inserts	
<b>GDO</b> ..... 9.13 Grape Decorative Onlay	
<b>GP</b> ..... 9.24, 9.25 Grooved Paneling	
<hr/>	
<b>HAB</b> ..... 7.7 Universal Access Adaptable Base Cabinets	
<b>HABLB</b> ..... 7.8 Universal Access Adaptable Blind Base Cabinets	
<b>HABMC</b> ..... 7.9 Universal Access Adaptable Base Microwave Cabinet	
<b>HACAR</b> ..... 7.8 Universal Access Adaptable Rotating Corner Base Cabinet	
<b>HADB</b> ..... 7.8 Universal Access Adaptable Three Drawer Base Cabinets	
<b>HASB</b> ..... 7.9 Universal Access Adaptable Sink Base Cabinets	
<b>HASB-REM</b> ..... 7.9 Universal Access Adaptable Sink Base Cabinets with Removable Fronts	
<b>HCB</b> ..... 7.3 Universal Access Accessible Base Cabinets	
<b>HCBLB</b> ..... 7.4 Universal Access Accessible Blind Base Cabinets	
<b>HCB-FH</b> ..... 7.1 Universal Access Accessible Full Height Base Cabinets	

NOMENCLATURE / ITEM	PAGE #	NOMENCLATURE / ITEM	PAGE #
<b>HCCAR</b> .....	7.2	<b>MCL</b> .....	9.14
Universal Access Accessible Rotating Corner Base Cabinet		Mission Corbel	
<b>HCDB</b> .....	7.2	<b>MC</b> .....	3.15, 3.16
Universal Access Accessible Triple Drawer Base Cabinets		Microwave Cabinet	
<b>HCOV</b> .....	7.6	<b>MCM</b> .....	9.14
Universal Access Accessible Oven Cabinets		Mission Series Corbel	
<b>HCPC</b> .....	7.6	<b>MCR</b> .....	6.14
Universal Access Accessible Single Door Pantry Cabinets		Medicine Cabinet (Recessed)	
<b>HCSB</b> .....	7.3	<b>MCS</b> .....	3.15, 3.16
Universal Access Accessible Sink Base Cabinets		Microwaves with Shelf	
<b>HCSB-PS</b> .....	7.4	<b>MCW</b> .....	3.11
Universal Access Sink Base Plumbing Skirts		Mullion Door Corner Wall Cabinets	
<b>HCSB-FH</b> .....	7.1, 7.2	<b>MD</b> .....	3.21
Universal Access Accessible Full Height Base Cabinets		Mullion Doors	
<b>HCUC</b> .....	7.6	<b>MDC</b> .....	3.21
Universal Access Accessible Utility Cabinets		Corner Mullion Doors	
<b>HSK</b> .....	5.12	<b>MDO</b> .....	9.14
Heat Shield Kit		Mission Decorative Onlay	
<b>HWSB-PS</b> .....	4.30	<b>MW</b> .....	3.1, 3.4
Hanging Wall Sink Base Plumbing Skirts		Mullion Door Wall Cabinets	
		<b>MW-3</b> .....	3.6
		Triple Mullion Door Wall Cabinets	
<b>ICM</b> .....	9.39		
Inside Corner Molding		<b>NDK</b> .....	3.36, 3.37
		Ductless Conversion Kits	
<b>LBES</b> .....	9.22		
Base Cabinet End Skins (Laminate)		<b>OBCF</b> .....	9.6
<b>LGBC</b> .....	9.33	Blind Corner Base Cabinet Filler Overlay	
Large Bead Cove Crown Molding		<b>OBF</b> .....	9.5
<b>LGCC</b> .....	9.34	Base Cabinet Filler Overlays	
Large Cove Crown Molding		<b>OBLB</b> .....	9.7
<b>LM</b> .....	9.39	Blind Base Cabinet Filler Overlay	
Library Molding		<b>OBLBF</b> .....	9.5
<b>LOCM</b> .....	9.40	Base Cabinet Filler Overlays	
Large Outside Corner Molding		<b>OBLW</b> .....	9.7
<b>LPLR</b> .....	9.36	Blind Wall Cabinet Filler Overlays	
Low Profile Acanthus Light Rail Molding		<b>OBLWF</b> .....	9.2, 9.3, 9.4
<b>LR</b> .....	9.36	Blind Wall Cabinet Filler Overlays	
Light Rail Molding		<b>OCM</b> .....	9.40
<b>LTES</b> .....	9.22	Outside Corner Moldings	
Oven Cabinet End Skins (Laminate)		<b>ODWR</b> .....	9.21
<b>LWES</b> .....	9.22	Dishwasher End Panel Overlays	
Wall Cabinet End Skins (Laminate)		<b>OGB</b> .....	9.31
		Furniture Ogee Base Molding	
		<b>OGI</b> .....	9.28
<b>MASC</b> .....	9.12	Ogee Insert Molding	
Medium Acanthus Capital		<b>OLAY</b> .....	5.12
<b>MB</b> .....	10.4	Oven Cabinet Overlays	
Mini Base Cabinet Sample			

NOMENCLATURE / ITEM	PAGE #
<b>OREP</b> .....	9.20
Refrigerator End Panel Overlays	
<b>ORG</b> .....	8.2
Organizers	
<b>OUF</b> .....	9.1
Utility Cabinet Filler Overlays	
<b>OUF</b> .....	9.2
Wall Cabinet Filler Overlays	
<b>OV</b> .....	5.11
Oven Cabinets	
<b>OVAL</b> .....	9.27
Straight Valance Overlays	
<b>OVF</b> .....	9.7
Desk Drawer Filler Overlay	
<b>OVF</b> .....	9.7
Vanity Cabinet Filler Overlays	
<b>OWF</b> .....	9.3, 9.4
Wall Cabinet Filler Overlays	
<hr/>	
<b>PB</b> .....	4.23
Peninsula Base Cabinets	
<b>PBC</b> .....	4.23
Double Door and Drawer Peninsula Base Corner Cabinet	
<b>PBP</b> .....	9.23
Peninsula Base Cabinet Back Panel	
<b>PC</b> .....	5.9
Pantry Cabinets	
<b>PC-DST</b> .....	5.10
Pantry Cabinets with 4-Deluxe Shelf Trays	
<b>PCSK</b> .....	5.5
Pantry Cabinet Swing Out Shelf Kit	
<b>PCDS</b> .....	5.5
Pantry Cabinet Door Shelves	
<b>PDGW</b> .....	3.10
Door Cut for Glass Peninsula Wall Cabinets	
<b>PLYL</b> .....	9.22
Long Grain Panel	
<b>PLYS</b> .....	9.21
Short Grain Panel	
<b>PMW</b> .....	3.10
Mullion Door Peninsula Wall Cabinets	
<b>PPO</b> .....	5.2
Tall Pantry Pull Out Cabinets	
<b>PW</b> .....	3.10
Peninsula Wall Cabinets	
<hr/>	
<b>QR</b> .....	9.43
Quarter Round	

NOMENCLATURE / ITEM	PAGE #
<b>RCM</b> .....	9.34
Royal Crown Molding	
<b>REP</b> .....	9.20
Refrigerator End Panels	
<b>RIM</b> .....	9.29
Rope Inlay Molding	
<b>RPI</b> .....	9.28
Rope Molding	
<b>RSP</b> .....	9.16
Roman Spindle	
<hr/>	
<b>SAG</b> .....	3.32
Straight Appliance Garages	
<b>SAMPLEB</b> .....	10.4
Sample Base Cabinets	
<b>SAMPLECASEECH</b> .....	10.4
Door Sample Carrying Case	
<b>SAMPLEDOOR</b> .....	10.3
Door Sample	
<b>SB</b> .....	4.27, 4.28, 4.30
Sink Base Cabinets	
<b>SBAM</b> .....	9.30
Single Bead Accent Molding	
<b>SB-BD</b> .....	4.27
Butt Door Sink Base Cabinets	
<b>SB-BDDT</b> .....	4.31
Butt Door Sink Base Cabinets with Drip Tray Insert	
<b>SB-BDFH</b> .....	4.27
Full Height Butt Door Sink Base Cabinets	
<b>SB-BDTB</b> .....	4.33
Butt Door Sink Base Cabinets with Towel Bar	
<b>SB-BDTOT</b> .....	4.31
Butt Door Sink Base Cabinets with Tilt-Out Tray	
<b>SB-BDTOTDT</b> .....	4.32
Butt Door Sink Base Cabinets with Tilt-Out Tray and Drip Tray Insert	
<b>SB-BDTOTSS</b> .....	4.32
Butt Door Sink Base Cabinets with Stainless Steel Tilt-Out Tray	
<b>SB-BDTOTSSDT</b> .....	4.33
Butt Door Sink Base Cabinets with Stainless Steel Tilt-Out Tray and Drip Tray Insert	
<b>SB-BDTOTSSTB</b> .....	4.34
Butt Door Sink Base Cabinets with Stainless Steel Tilt-Out Tray and Towel Bar	
<b>SB-DT</b> .....	4.31
Sink Base Cabinets with Drip Tray Insert	
<b>SB-FH</b> .....	4.28
Full Height Sink Base Cabinets	
<b>SB-FS</b> .....	4.29
Farm Sink Base Cabinets	

NOMENCLATURE / ITEM	PAGE #	NOMENCLATURE / ITEM	PAGE #
<b>SB-REM</b> . . . . .	4.29	<b>SHM</b> . . . . .	9.43
Sink Base Cabinets with Removable Front		Shoe Molding	
<b>SB-RT</b> . . . . .	4.25	<b>SMBC</b> . . . . .	9.34
Sink Base Cabinets for Range Top		Small Bead Cove Crown Molding	
<b>SB-TB</b> . . . . .	4.33, 4.34	<b>SMCC</b> . . . . .	9.34
Sink Base Cabinets with Towel Bar		Small Cove Crown Molding	
<b>SB-TOT</b> . . . . .	4.31	<b>SOA</b> . . . . .	9.11
Sink Base Cabinets with Tilt-Out Trays		Shell Applique	
<b>SB-TOTDT</b> . . . . .	4.32	<b>SPLTBLK</b> . . . . .	9.19
Sink Base Cabinets with Tilt-Out Trays and Drip Tray Insert		Split Block	
<b>SB-TOTSS</b> . . . . .	4.32	<b>SPLTCLR</b> . . . . .	9.19
Sink Base Cabinets with Stainless Steel Tilt-Out Trays		Split Collar	
<b>SB-TOTSSDT</b> . . . . .	4.33	<b>SPLT-F</b> . . . . .	9.16
Sink Base Cabinets with Stainless Steel Tilt-Out Trays and Drip Tray Insert		Fluted Split Post	
<b>SB-TOTSSTB</b> . . . . .	4.34	<b>SPLT-P</b> . . . . .	9.16
Sink Base Cabinets with Stainless Steel Tilt-Out Trays and Towel Bar		Plain Split Post	
<b>SBD</b> . . . . .	4.35	<b>SR-X</b> . . . . .	9.41
Double Door Sink Base Deluxe Cabinets		Spline Return	
<b>SBD-BD</b> . . . . .	4.35	<b>SRRCM-XX</b> . . . . .	9.41
Butt Door Sink Base Deluxe Cabinet		Spline Return	
<b>SBI</b> . . . . .	9.29	<b>ST</b> . . . . .	10.6
Single Bead Insert Molding		Cabinetry Stain / Paint Quart	
<b>SC</b> . . . . .	9.35	<b>ST</b> . . . . .	4.39, 7.5
Soffit Crown Molding		Shelf Trays (pull out)	
<b>SCM</b> . . . . .	9.40, 9.41	<b>ST-BD</b> . . . . .	4.40, 7.5
Scribe Molding		Shelf Trays Butt Door (pull out)	
<b>SCVAL</b> . . . . .	9.27	<b>STM</b> . . . . .	9.41
Scalloped Valances		Starter Trim Molding	
<b>SD</b> . . . . .	3.31	<b>STVAL</b> . . . . .	9.27
Apothecary Spice Drawers		Straight Valances	
<b>SF</b> . . . . .	4.36, 4.37	<b>SVF</b> . . . . .	10.3
Sink Fronts		Vanity Cabinet Sample Front	
<b>SF-BD</b> . . . . .	4.36	<b>SWF</b> . . . . .	10.4
Butt Door Sink Fronts		Wall Cabinet Sample Front	
<b>SF-BDFH</b> . . . . .	4.36		
Full Height Butt Door Sink Fronts		<b>TASC</b> . . . . .	9.12
<b>SF-FH</b> . . . . .	4.36	Tall Acanthus Capital	
Full Height Sink Fronts		<b>TB</b> . . . . .	9.42
<b>SFCC</b> . . . . .	9.35	Triple Beaded Insert Molding	
Soffit Cove Molding		<b>TBAM</b> . . . . .	9.30
<b>SFR</b> . . . . .	4.38	Triple Bead Accent Molding	
Sink Front Return		<b>TBI</b> . . . . .	9.29
<b>SGH</b> . . . . .	3.31	Triple Bead Insert Molding	
Stem Glass Holder		<b>TCD</b> . . . . .	4.44
<b>SGO</b> . . . . .	9.12	Tiered Cutlery Divider Kits	
Small Grape Ornament		<b>TCL</b> . . . . .	9.13
<b>SHC</b> . . . . .	9.34	Traditional Series Corbel	
Shaker Crown Molding			

NOMENCLATURE / ITEM	PAGE #	NOMENCLATURE / ITEM	PAGE #
<b>TCM</b> .....	9.13	<b>V</b> .....	6.1, 6.3, 6.4, 6.5
Traditional Series Corbel		21" Deep Vanity Cabinets	
<b>TCM-S</b> .....	9.42	<b>V-BD</b> .....	6.2
Top Edge Traditional Crown Molding		21" Deep x 32-1/2" High Butt Door Vanity Sink Cabinets	
<b>TD</b> .....	4.44	<b>V-BDH</b> .....	6.2
Tray Divider		21" Deep x 34-1/2" High Butt Door Vanity Sink Cabinets	
<b>TDE</b> .....	5.13	<b>V-BDHFH</b> .....	6.2
Tall Cabinet Decorative Ends – Lowers		21" Deep x 34-1/2" High Full Height Butt Door Vanity Sink Cabinets	
<b>TDE-T</b> .....	5.13	<b>V-H</b> .....	6.1, 6.3, 6.4, 6.5
Tall Cabinet Decorative Ends – Uppers		21" Deep x 34-1/2" High Vanity Cabinets	
<b>TDO</b> .....	9.14	<b>V-HFH</b> .....	6.1, 6.3, 6.4, 6.5
Traditional Decorative Onlay		21" Deep x 34-1/2" High Full Height Vanity Sink Cabinets	
<b>TFC</b> .....	9.10	<b>VB</b> .....	6.6, 6.8, 6.9
Tall Fluted Column		21" Deep Vanity Drawer Sink Cabinets	
<b>TGE</b> .....	9.24	<b>VB-BD</b> .....	6.6
Tall Grooved End Panel		21" Deep Butt Door Vanity Drawer Sink Cabinets	
<b>TKCAP</b> .....	9.44	<b>VB-BDH</b> .....	6.6
Toe Kick Cap		21" Deep x 34-1/2" High Butt Door Vanity Drawer Sink Cabinets	
<b>TKS</b> .....	9.44	<b>VB-H</b> .....	6.6, 6.8, 6.9
Toe Kick Skins		21" Deep x 34-1/2" High Vanity Drawer Sink Cabinets	
<b>TLR</b> .....	9.37	<b>VBES</b> .....	9.22
Traditional Light Rail Molding		Base Cabinet End Skins (Oak, Maple & Cherry)	
<b>TPC</b> .....	9.10	<b>VBP</b> .....	6.15
Tall Plain Column		Vanity Base Panel	
<b>TPL</b> .....	9.19	<b>VBP-S</b> .....	6.15
Tapered Shaker Leg		Vanity Base Solid Wood Panel	
<b>TSP</b> .....	9.16	<b>VCDB</b> .....	6.12
Traditional Split Post		Combo Vanity Base Cabinets	
<b>TUMARKER</b> .....	10.5	<b>VCDB-H</b> .....	6.12
Touch Up Marker		34-1/2" High Combo Vanity Base Cabinets	
<b>TWE</b> .....	9.42	<b>VD</b> .....	6.9
Traditional Wood Edge Molding		21" Deep Vanity Drawer Sink Cabinets	
<hr/>			
<b>UC</b> .....	5.1, 5.3, 5.4	<b>VD-H</b> .....	6.9
Utility Cabinets		21" Deep x 34-1/2" High Vanity Drawer Sink Cabinets	
<b>UCF</b> .....	5.7, 5.8	<b>VDB</b> .....	6.10, 6.11
Utility Cabinet Fronts		21" Deep Vanity Double Sink Base Cabinets	
<b>UCFR</b> .....	9.20	<b>VDB</b> .....	6.7
Utility Cabinet Front Returns		21" Deep Vanity Drawer (3) Cabinets	
<b>UCS</b> .....	5.6	<b>VDB-H</b> .....	6.7, 6.10, 6.11
Utility Cabinet Shelves		21" Deep x 34-1/2" High Vanity Double Sink Base Cabinets	
<b>UF-PLY</b> .....	9.1, 9.2, 9.3, 9.5	<b>VDB-H</b> .....	6.7
Base, Utility, Universal, and Wall Plywood Cabinet Fillers		21" Deep x 34-1/2" High Vanity Drawer (4) Cabinets	
<b>UF-S</b> .....	9.1, 9.2, 9.3, 9.5	<b>VDB-HFH</b> .....	6.11
Base, Utility, Universal, and Wall Solid Cabinet Fillers		21" Deep x 34-1/2" High Full Height Vanity Double Sink Base Cabinets	
<b>UREP</b> .....	9.20	<b>VDD-T</b> .....	6.15
Universal Refrigerator End Panel		21" Deep Single Vanity Drawers	
<b>UTP</b> .....	9.42	<b>VKDT</b> .....	6.15
Universal Trim Piece		Vanity Knee Hole Drawers	
		<b>VMD</b> .....	6.15
		Make Up Drawer	

NOMENCLATURE / ITEM	PAGE #	NOMENCLATURE / ITEM	PAGE #
<b>VOVES</b> .....	9.22	<b>WHCV</b> .....	3.35
Oven Cabinet End Skins (Oak, Maple & Cherry)		Coved Wood Hoods	
<b>VSF</b> .....	6.13	<b>WHM</b> .....	3.33
Vanity Sink Fronts		Wood Hood Mantles	
<b>VSS</b> .....	6.1	<b>WHPAC</b> .....	3.34
16" Deep Vanity Cabinets		Peninsula Arched Wood Hood Chimney	
<b>VW</b> .....	6.14	<b>WHPC</b> .....	3.34
Vanity Wall Cabinet		Peninsula Wood Hood Chimney	
<b>VWES</b> .....	9.22	<b>WOC</b> .....	3.13
Wall Cabinet End Skins (Oak, Maple & Cherry)		Open Wall Cabinets	
<hr/>			
<b>W-x24</b> .....	3.14	<b>WPC</b> .....	9.10
Refrigerator Wall Cabinets		Plain Wall Columns	
<b>W</b> .....	3.1, 3.2, 3.4, 3.5	<b>WR</b> .....	3.30
Wall Cabinets		Wine Racks	
<b>W-3</b> .....	3.6, 3.7	<b>WS</b> .....	3.32
Triple Door Wall Cabinets		Wall Knick Knack Shelves	
<b>W-BD</b> .....	3.3	<b>WSC</b> .....	3.30
Butt Door Wall Cabinets		Wine Storage Cube	
<b>WC</b> .....	3.31	<b>WSQC</b> .....	3.11
Wine Cube		Square Corner Wall Cabinet	
<hr/>			
<b>WDE</b> .....	3.17	<b>XLBC</b> .....	9.35
Wall Cabinet Decorative End Panels		Extra Large Bead Cove Crown Molding	
<b>WEC</b> .....	3.11	<b>XLCC</b> .....	9.35
Wall End Cabinets		Extra Large Cove Crown Molding	
<b>WFC</b> .....	9.10		
Fluted Wall Columns			
<b>WGE</b> .....	9.24		
Wall Grooved End Panel			
<b>WH</b> .....	3.35		
Wood Hoods (Wood Hood Blower Units: See pages 3.36-3.37)			
<b>WHAC</b> .....	3.33		
Wood Hood Arched Chimneys			
<b>WHC</b> .....	3.33		
Wood Hood Chimneys			
<b>WHCS</b> .....	3.34		
Wood Hood Chimney Stacks			



## CARING FOR YOUR NEW WOOD ECHELON CABINETRY PRODUCTS

Congratulations! We know you have a choice in selecting kitchen cabinetry and appreciate your interest in our brand. With proper care, your Echelon Cabinetry products will deliver years of beauty, enjoyment, and convenience.

This Echelon Cabinetry Care Guide will assist you in choosing the correct products to protect your cabinets from normal wear and to repair any imperfections if they should occur.

Echelon Cabinetry products are constructed of quality materials and finished with superior coatings. They have undergone rigorous testing prior to shipping. This is your assurance that Echelon Cabinetry products will maintain their attractive finish and structural soundness throughout the years of normal everyday use.

As with any product constructed of wood, taking the time to care for your new cabinets can go a long way in keeping them looking their best. Here are a few simple suggestions to make your cabinet care easier.

- Clean cabinets as needed with a mild detergent or with soap and water (Murphy's Oil Soap) and dry well using a lint-free cloth for both washing and drying.
- Wipe up spills, splatters and water spots as they occur, keeping cabinets and countertop surfaces dry.
- Give special attention to areas near the sink and dishwasher that come in contact with moisture.
- Use cleaners and polishes designed for wood cabinets and clean all surfaces as needed.

### STOPPING PROBLEMS BEFORE THEY OCCUR

Do not use abrasive cleaners, scouring pads, or powdered cleaners. These materials may penetrate the cabinet finish allowing moisture to enter and cause deterioration.

- **Do not** use aerosol sprays containing silicones or paste waxes.
- **Do not** leave a wet cloth on or near cabinets for extended periods of time.
- **Do not** allow oven cleaners or other caustic cleaners to touch the cabinets.
- **Do not** spray or clean cabinets with glass cleaners.

### REMEDIES FOR COMMON KITCHEN ACCIDENTS

Most problems can be prevented by wiping up any spills as soon as they occur. Follow these first aid suggestions for common household accidents. When removing a spot begin at the outer edge and work toward the middle to prevent the spot from spreading.

#### ***Food Spots/Water Spots***

Clean cabinets as needed with a mild detergent or with soap and water (use sparingly) and dry well using a lint free cloth for both washing and drying.

#### ***Greasy Spots***

Rub grease, lipstick, crayon, or oil with a damp cloth. Use cleaners and polishes designed for wood cabinets and clean all surfaces as needed.

#### ***Chewing Gum/Candle Wax***

Apply a plastic bag filled with ice on top of the deposit until it is brittle enough to crumble off.

#### ***Minor Scratches, Nicks, and Dents***

Echelon Cabinetry offers a Cabinetry Care Kit to help you keep your Echelon Cabinetry products looking like new. Most scratches, nicks, and dents can be repaired using this kit. The Cabinetry Care Kit includes (1) a touch-up marker to re-stain small scratches and (2) a putty stick to fill nail holes, minor nicks, and dents.

Customers who need to re-stain larger areas of a cabinet may also order a quart of touch-up stain.

Both of these items can be ordered through your local Echelon Cabinetry dealer or the Echelon Cabinetry customer service department.

## PAINTED FINISH DISCLOSURE

Echelon Cabinetry painted and glazed finishes are applied using the same quality standards as all of our other finishes. Painted cabinet products have unique characteristics that differ from other finishes but are not considered manufacturer quality defects:

- Wood of all species is hygroscopic, meaning that it is subject to the humidity and temperature of its environment. It will lose or gain moisture and consequently shrink or swell depending on the environment. Even protective coatings cannot prevent this movement; they merely impede the process. As humidity increases, the moisture content increases, and wood expands. As humidity decreases, the moisture content decreases, and the wood will actually shrink. Therefore, painted wood cabinetry should be expected to "shift" during the various shifts in weather throughout the year. Changes in temperature that naturally occur from season to season (especially humidity or prolonged moisture) will cause movement in hardwood products, such as hairline cracks, peeling, or separation. These types of movement are widely accepted as normal in the kitchen cabinet industry and not considered quality defects. Wood may expand and contract differently from cabinet to cabinet and from joint to joint within the same cabinet. Consequently, some cabinet joints may not show any effects of humidity, while others may show varying degrees of cracking or peeling. These shifts may also occur due to the repeated impacts from normal everyday use.
- Painted cabinets use a combination of hardwood and engineered materials, such as MDF, to create a beautifully finished product. On painted Salerno and Touraine doors, some of the grain pattern and other characteristics such as mineral streaks, pitch pockets, checks and pin knots, will remain visible through the painted finish. The finish will take on the texture of birch graining characteristics and will not have a filled smooth surface.
- As painted cabinet products age the finish may mellow or discolor slightly. The degree of change to the original finish color is affected by your products' exposure to natural and artificial light. This is a normal characteristic of painted furniture and cabinetry and not considered a quality defect.

Due to these natural and environmental factors, Echelon Cabinetry cannot be held responsible for naturally occurring changes experienced by the wood in our cabinets.

*See the back of this specification book for the Echelon Cabinetry Product Disclosure form. Tear it out and make copies to issue to your customers. These disclosure forms are designed to be signed by the end consumer and kept in your records. Painted finish disclosure acknowledgement forms do not need to be included with your orders or submittals.*

## HUMIDIFICATION AND WARPED DOOR DISCLAIMER – RELATING TO WOOD PRODUCTS

The natural process of expansion and contraction occurring in wood cabinets is not new or exclusive to ACPI cabinetry. Wood of all species is hygroscopic, meaning that it is subject to the humidity and temperature of its environment. It will lose or gain moisture and consequently shrink or swell depending on the environment. This process can affect your cabinetry doors, drawers, and face frames. Even protective coatings cannot prevent this movement; they merely impede the process.

As humidity increases, the moisture content increases, and wood expands. As humidity decreases, the moisture content decreases, and the wood will actually shrink.

As an example, if the wood product is measured to have a moisture content of 10% and is exposed to 25% relative humidity, one can expect the wood to dry to 5% moisture content and shrink as it dries.

The only way to accurately predict wood movement is to know the moisture content of the material when you receive it. Moisture content is measured using a moisture meter.

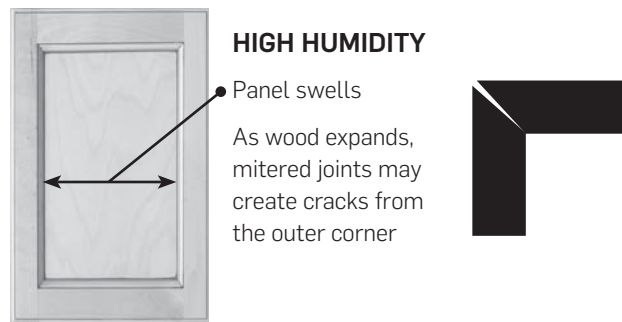
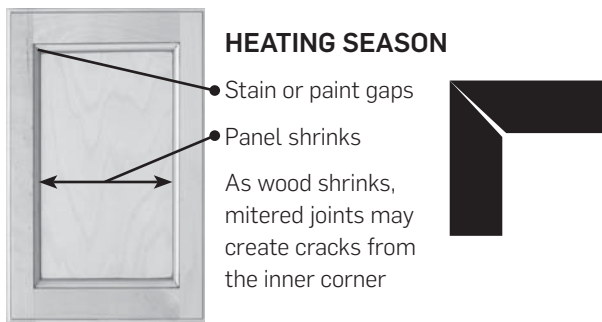
Wood may expand and contract differently from cabinet to cabinet and from joint to joint within the same cabinet. Therefore, painted & stained wood cabinetry should be expected to "shift" during the various shifts in weather throughout the year.

Changes in temperature that naturally occur from season to season (especially humidity or prolonged moisture) will cause movement in hardwood products, such as hairline cracks or separation. These issues are more common near joint areas and panel components.

MOISTURE CONTENT VS. RELATIVE HUMIDITY	
RELATIVE HUMIDITY	MOISTURE CONTENT
0%	0%
25%	5%
50%	9%
75%	14%
99%	23-30%

Source: <http://www.forestprod.org/cdromdemo/wd/wd4.html>

### COMMON EFFECTS TO JOINTS AND PANELS DUE TO TEMPERATURE FLUCTUATION



Homes in most of the U.S. that lack humidity control typically experience interior levels of humidity from 25% relative humidity to 65% relative humidity. This range of humidity will cause a 6% change in the moisture content of the wood.

Source: [http://www.woodweb.com/knowledge\\_base/A\\_Finish\\_Carpenters\\_Guide\\_to\\_Understanding.html](http://www.woodweb.com/knowledge_base/A_Finish_Carpenters_Guide_to_Understanding.html)

Wood products, especially cabinet doors and drawer fronts, absorb excess moisture in the air and can expand. Often the wood will return to normal as the moisture in the air subsides. However, there are instances where door warpage may occur. A door is best tested for warping issues following a complete heating and cooling season. To test a door, place it face-down on an even, flat surface and measure the gap between the surface and the door edge to the nearest 1/16".

## acpi WARP SPECIFICATIONS

Door Warpage:  $<1/16$ " per lineal foot,  $<1/8$ " maximum warp

Door Twist: Allow  $1/8$ " maximum warp, one corner up, three corners down allowed

Warping of doors, drawers, and face frames are caused by the climate surrounding the product and are not considered defects. However, we recognize that this is a sensitive issue during new home and remodel construction projects. Products need to acclimate to their environment under normal HVAC conditions for a period of at least 60 days to properly settle. If after 60 days there remain signs of warping as outlined above, please contact customer service for a replacement door. Following this 60 day acclimation period, acpi will replace warped doors and drawer fronts within the first 180 days from the date of purchase. Products more than 180 days past purchase date or showing signs of warping less than the guidelines above are not considered warrantable and are not covered by this policy.

Improper storage can cause minor changes to the size of these materials. These changes in size that occur due to this environment are not covered by ACPI warranty. Therefore, we encourage you to take the following precautionary steps to help protect your cabinets from changes in humidity.

- Never store cabinets in a moist environment.
- Wipe off any excess moisture from cabinet surfaces as soon as possible.
- Store and install cabinets in a dry and conditioned environment. If you are installing product that has recently been transported, it may take a little while for the wood to acclimate to its new climate humidity – some expansion or shrinkage may occur.  
**NOTE: hinge adjustments may be required to improve the fit of the door during this process. See pages 12.14 -12.15.**
- Monitor the humidity inside the home. Reasonably accurate digital thermometer-hygrometer units are available to measure humidity. Wood will continue to equalize with the surrounding moisture content found in the air despite a finish. It takes several days to several weeks before the wood returns to normal after any correction in the environment.
- Improperly adjusted hinges may cause a door to appear warped. A hinge-adjustment may improve the fit of the door. See pages 12.14-12.15 for hinge adjustment tips.

These steps will help hinder the effect of humidity on your cabinets; however, there is no process to prevent these effects entirely.

Please reference our Cabinetry Care guidelines for additional information ways to maintain the beauty and integrity of your ACPI cabinets for years to come.

# HINGE AND DRAWER GUIDE ADJUSTMENTS

## 6-WAY SELF-CLOSE HINGE ADJUSTMENT

1

**Side Adjustment**  
 +/- 1.5mm (1/16")  
 Rotate adjustment screw

2

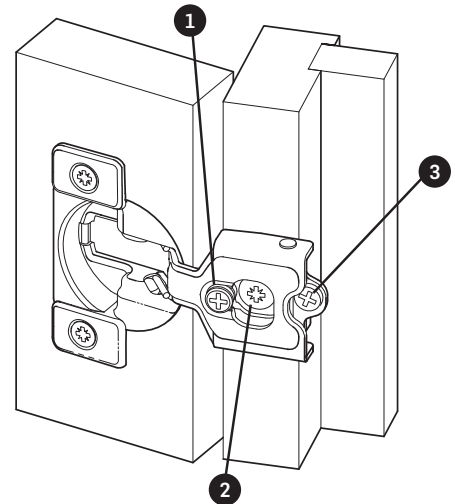
**Height Adjustment**  
 +/- 2mm (3/32")  
 Loosen screw, align door,  
 tighten screw

3

**Depth Adjustment**  
 + 2.5mm (7/64"), -.05mm (1.32")  
 Rotate cam screw

**Mounting Screws**

Hinge cup to door, No. 6 x 5/8" Flat Head screw  
 Base plate to face frame, No. 10 x 3/4" Pan Head screw



## GENTLE-TOUCH SOFT-CLOSE HINGE ADJUSTMENT

### Innovative Three Tiered Adjustment

These three levels of adjustment provide a different level of resistance on the damping system in the soft-close mechanism.

The settings can be adjusted differently for each Gentle Touch Hinge on the door so you can personalize the closing resistance to meet your closing preferences regardless of the size and weight of the door.

**NOTE: Hinges come factory set at the highest lever of resistance. To change the resistance from any other setting, move the adjustment switch to 'Strong' first, then to the desired resistance level. Close the door and the soft-close will reset to the new selected resistance.**



## SOFT-CLOSE MECHANISM ADJUSTMENTS



**STRONG**  
 This setting of resistance provides a slow, smooth closing action. This level will accommodate larger heavier doors.

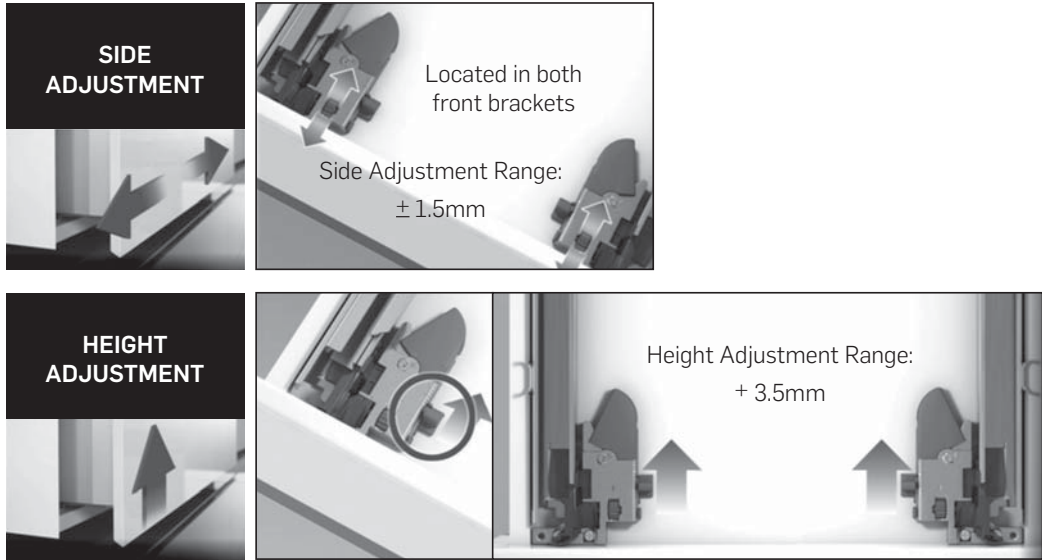


**MEDIUM**  
 To achieve less resistance.



**LIGHT**  
 To achieve the least amount of resistance.

**DYNAPRO – UNDERMOUNT SOFT-CLOSE DRAWER GUIDE ADJUSTMENTS**



**BIRCH DOOR PANEL PATCH DISCLOSURE**



**SALERNO 5-PC, SALERNO SLAB, and HARGROVE**

These birch doors use a grade of plywood that allows for small pinholes or sound holes on the back of the door panel. These holes are part of the natural variability of the wood and not considered product defects. Oval or “football” shaped veneer patches may be applied to the back of the panel and color-matched to conceal these holes.

A maximum of 8 patches are allowed per door panel, with no more than 2 patches allowed to be overlapping.

*Example of “football” patch on the back side of a Salerno Slab door.*

## LIMITED LIFETIME AND LIMITED 5-YEAR WARRANTY

### For cabinetry purchased on or after April 1, 2016.

ACProducts, Inc. (ACPI) warrants to the original consumer purchaser that our Echelon Cabinetry will be free from defects in material and workmanship under normal use for a period of five (5) years from the date of purchase or as per written agreement. This warranty is extended to the original purchasing consumer only for use of the product within the United States and is not transferrable. No changes or modifications can be made to this warranty except by an officer of ACProducts, Inc.

### WARRANTY COVERAGE

**Limited 5-Year Warranty on Cabinets** to the original purchasing consumer from date of original purchase or as per written agreement that the cabinets will be free from defects in material and workmanship under normal use.

**Limited Lifetime Warranty on Drawer Guides and Hinges** to the original purchasing consumer as long as they own the product that the drawer guides and hinges shall be free from defects in material and workmanship under normal use.

### WARRANTY LIMITATIONS AND EXCLUSIONS

- This Warranty does not apply to (i) damage caused by improper installation, (ii) other product used or installed in connection with the cabinets including, but not limited to, appliances, countertops, or plumbing fixtures (including the costs to remove and reinstall such other product), (iii) product damage, loss, or theft either after delivery for material only jobs or after installation for installed jobs, or (iv) damage caused by misuse, abuse, neglect, accident, alteration, improper use, exposure to moisture or extreme temperatures, failure to maintain, acts of God, or normal wear and tear.
- Naturally occurring wood characteristics including, but not limited to, variations in color, grain pattern, mineral streaks and knots are not considered defects. Color variations may also be affected by age, character of cabinets, and exposure to UV light, sunlight, smoke, household cleaners, and other environmental conditions. As such, new and/or replacement cabinets may not match display samples and/or existing cabinets. Any such variations and changes to Echelon Cabinetry products, whether present during production or which develop over time, are not considered quality defects and are not covered by this warranty.
- Painted finishes have unique characteristics that differ from standard wood finishes. Wood of all species is subject to the humidity and temperature of its environment and may expand or contract due to changes in weather, temperature, or climate. Due to these normal shifts in the environment, painted wood cabinetry may develop hairline cracks, peeling, or separation or seam lines. On select hardwoods and veneers, joints, seams, and some natural characteristics of the wood (including, but not limited to, grain patterns, knots, and mineral streaks) will remain visible through painted finishes. As painted cabinet products age, the finish may mellow or discolor slightly. The degree of change to the original finish color is affected by the products' exposure to natural and artificial light. These normal variations are not considered quality defects and are not covered by this warranty.



### WARRANTY PERFORMANCE

In the event of a manufacturing defect within the terms and conditions set forth herein, ACPI will repair or replace the product, at ACPI's sole option, without charge. Such repair or replacement is contingent upon the current product offerings within the ACPI product line at the time of the warranty claim. If the affected product is no longer available, ACPI reserves the right to (i) replace the affected component with a new component of the same style, or (ii) replace the affected component and any other component within the total product to achieve a uniform appearance with a similar and comparable product style and quality as the original product. Due to changes that occur during the wood's natural aging process, ACPI cannot guarantee that replacements will exactly match the finish and appearance of the remaining components in the original product. ACPI will not provide or pay for the cost of (i) removal of defective product, (ii) transportation of defective, repaired, or replaced product, or (iii) installation of repaired or replaced product. Repaired or replaced product shall be warranted for a period equal to the remainder of the original Limited Warranty on the original product or for ninety days, whichever is longer.

### WARRANTY DISCLAIMER

**THIS LIMITED WARRANTY SETS OUT THE FULL EXTENT OF ACPI'S RESPONSIBILITIES, AND THE EXCLUSIVE REMEDY REGARDING THE PRODUCTS. ALL IMPLIED WARRANTIES, INCLUDING WITHOUT LIMITATION, IMPLIED WARRANTIES OF MERCHANTABILITY AND FITNESS FOR A PARTICULAR PURPOSE, ARE LIMITED TO THE DURATION OF THIS LIMITED WARRANTY. IN NO EVENT SHALL ACPI BE LIABLE FOR DAMAGES IN EXCESS OF THE PURCHASE PRICE OF THE PRODUCT OR FOR, WITHOUT LIMITATION, COMMERCIAL LOSS OF ANY SORT; LOSS OF USE, TIME, DATA, REPUTATION, OPPORTUNITY, GOODWILL, PROFITS OR SAVINGS; INCONVENIENCE; INCIDENTAL, SPECIAL, CONSEQUENTIAL OR PUNITIVE DAMAGES; OR DAMAGES ARISING FROM THE USE OR INABILITY TO USE THE PRODUCT. SOME STATES AND JURISDICTIONS DO NOT ALLOW LIMITATIONS ON HOW LONG AN IMPLIED WARRANTY LASTS, OR THE DISCLAIMER OR LIMITATION OF INCIDENTAL OR CONSEQUENTIAL DAMAGES, SO THE ABOVE LIMITATIONS AND DISCLAIMERS MAY NOT APPLY TO YOU.** All disputes with ACPI arising in any way from this Limited Warranty or the sale, condition or performance of the Products shall be resolved exclusively through final and binding arbitration, and not by a court or jury.

### SEVERABILITY

If any portion of this Limited Warranty is held to be illegal or unenforceable, such partial illegality or unenforceability shall not affect the enforceability of the remainder of the Limited Warranty.

### CLAIMS

All claims must be submitted in writing and must specify the defects present in the cabinets and accessories. To initiate a claim for defective cabinets and accessories contact your builder, dealer, distributor or contractor who installed and sold the product. If that party is unknown or you have difficulty obtaining assistance, contact:

ACProducts, Inc., Customer Service Dept., 3551 Plano Parkway, Suite 200, The Colony, Texas 75056

After ACPI has had an opportunity to inspect the cabinets and accessories, they will, at their discretion either replace defective cabinets and accessories or repair any defects in the cabinets and accessories.

*For warranty information on cabinetry purchased between November 1, 2012 and March 31, 2016, please visit [www.echeloncabinetry.com/warranties](http://www.echeloncabinetry.com/warranties).*

©2016 ACPI All rights reserved.



## TERMS AND CONDITIONS FOR ALL SALES OF GOODS

1. **Terms and Conditions of Sale.** This Agreement shall cover all materials delivered to Purchaser, by Seller, at Purchaser's request, whether specifically itemized herein or not. If not itemized herein such materials shall be invoiced to Purchaser at Seller's prevailing price at time of delivery. Any receipt signed by any watchman or employee of Purchaser, owner, general contractor, carpenter contractor, or any other authorized agent shall be sufficient evidence of delivery. All orders are subject to the terms and conditions set forth in this Agreement and Seller's warranty in effect as of the date of delivery.
2. **Warranty Summary.** Seller warrants that the products delivered pursuant to this Agreement will be free from defects in material and workmanship at the time of delivery or, if installation is included, upon installation. **SELLER SPECIFICALLY DISCLAIMS ALL OTHER EXPRESSED OR IMPLIED WARRANTIES, INCLUDING THE IMPLIED WARRANTIES OF MERCHANTABILITY OR FITNESS FOR A PARTICULAR PURPOSE.** No affirmation of fact or promise made by Seller, its agents or employees shall constitute a warranty. Seller's obligation with respect to the products sold herein shall be limited to furnishing repair or replacement materials for factory defective materials at ACPI's sole option or reinstallation if applicable. Under no circumstances shall any back charges be rendered by Purchaser without Seller's prior written consent.
3. **Nonconforming Shipments.** Any claim for defective goods, errors, transit damages or shortages shall be presented in writing by Purchaser to Seller within five (5) days from receipt of goods by Purchaser, but no claim shall be made by Purchaser for incidental, indirect, special, or consequential damages. Seller is not responsible for damage after (i) delivery for material only jobs or (ii) installation for installed jobs. Defective product will be handled in accordance with Seller's Standard Limited Warranty. For further information on ACPI's Warranty, see the brand's official website for the products purchased.
4. **Storage Fee.** All orders must be picked up or received by Purchaser (if Seller is delivering the order) within thirty (30) days from the date Seller provides notice to Purchaser that the order is at the delivery point. Seller will apply a \$20.00 per day storage fee to Purchaser's account for any order not picked up or received within the 30-day period, and the order will not be released until such storage fee is paid.
5. **Undelivered Orders.** Orders left at the delivery point, or not accepted for delivery, for more than 60 days after notice to Purchaser that the order is available, will be cancelled and Purchaser's deposit for Cash Sales will be retained as liquidated damages. Credit Purchasers will be invoiced and liable for an amount equal to 50% of the total order as liquidated damages.
6. **Returns. THERE IS NO CANCELLATION, RETURN OR REFUNDS ON ANY SPECIAL/NON-STOCK ORDERS.** Returns are permitted on stock items that are not damaged and have not been previously installed, and a restocking and handling fee of 25% of the total order will be charged. The product, including the original carton, must be in good condition and accompanied by the sales receipt. Returns must be received by Seller within 14 days of purchase. All transportation costs for returned goods must be paid by Purchaser. On permitted returns, a refund check will be issued within 120 days. There are no cash refunds.
7. **Financial Stability.** If, at any time before shipment, the financial responsibility of Purchaser becomes impaired or unsatisfactory to Seller, in Seller's sole judgment, cash payment or satisfactory security or assurances other than those herein provided may be required by Seller.
8. **Default.** For credit sales, Purchaser agrees that delivery of product under this Agreement is subject to such credit limit placed upon Purchaser's account by Seller's Credit Department. Failure of Purchaser, even after making partial payment on account in accordance herein, to perform any of its obligations under this Agreement shall give Seller the option, upon notice to Purchaser, to suspend shipments or to cancel this Agreement or that portion of it as may remain unexecuted, without prejudice to any other rights or remedies of Seller.
9. **Insurance.** Upon execution of this Agreement and for the duration of the warranty period, Seller shall maintain insurance in accordance with following limits: Commercial General Liability \$1,000,000 each occurrence, \$2,000,000 general aggregate, and \$2,000,000 products/completed operations; Automobile Liability \$1,000,000 combined single limit; Umbrella Liability \$2,000,000 each occurrence and in the aggregate; Worker's Compensation and Employer's Liability \$1,000,000 each accident, each employee, and policy limit.  
Upon Purchaser's written request, Seller shall provide a Certificate of Insurance for the above-mentioned limits. Purchaser and owner (if applicable) may be listed as additional insureds on the General Liability policy only. If endorsement for ongoing operations ISO Form CG2010 (4/13) or endorsement for completed operations ISO Form CG2037 (4/13) are required by Purchaser, such endorsement(s) will be issued in blanket form only. In no event shall limits per project, waiver of subrogation endorsements, umbrella amounts exceeding those set forth above, or primary and noncontributory endorsements apply to this Agreement.
10. **Indemnity; Limitation of Liability.** Purchaser shall indemnify, defend and hold harmless Seller, including its directors, officers, agents and employees, from all claims, losses, damages, expenses (including reasonable attorneys' fees and court costs), and liabilities for injury to or death of any person, or for loss or damage to any real or tangible personal property arising out of the acts or omissions of Purchaser under this Agreement. **IN NO EVENT SHALL SELLER BE LIABLE FOR ANY INCIDENTAL, INDIRECT, SPECIAL OR CONSEQUENTIAL DAMAGES**



**WHETHER OR NOT ADVISED OF THE POSSIBILITY OF SUCH DAMAGES. FURTHER, SELLER'S TOTAL AGGREGATE LIABILITY FOR DAMAGES UNDER OR IN CONNECTION WITH THIS AGREEMENT, REGARDLESS OF THE FORM OF THE ACTION OR THE THEORY OF RECOVERY, SHALL NOT EXCEED THE PRICE PAID BY PURCHASER UNDER THIS AGREEMENT.**

- 11. Force Majeure.** Seller shall not be responsible for contingencies beyond its control, such as fire, government seizure or control, acts of God, strikes, factory or labor conditions, or any other unfavorable causes that may or shall prevent shipment at the time or times provided for herein. Quoted delivery dates are Seller's best estimate based on current schedules. Incremental or additional costs incurred by Seller, as a result of Purchaser's alteration of the delivery schedule, will be borne by Purchaser.
- 12. Offset.** Purchaser agrees to (i) waive any right to offset, whether under this Agreement or under applicable law or otherwise, any amount owed by Seller to Purchaser against any amount then owed or in the future to be owed by Purchaser to Seller and (ii) pay to Seller the full amount owed to Seller in accordance with the terms of this Agreement. For the avoidance of doubt, Purchaser does not waive any substantive claim (other than with respect to its right to offset as described in the preceding sentence) that it may have against Seller.
- 13. Legal Expenses and Collection Costs.** Purchaser shall be liable for all reasonable costs of collection and statutory attorney's fees incurred by Seller by reason of Purchaser's failure to pay on account when due.
- 14. Waiver.** Waiver by Seller of any default by Purchaser shall not be deemed a waiver by Seller of any default by Purchaser which may thereafter occur.
- 15. Termination.** This Agreement may be terminated by Purchaser only when approved in writing by a duly authorized officer or agent of Seller. In the event of termination, Seller will take immediate steps to mitigate termination costs to Purchaser, but Purchaser shall reimburse Seller for the costs of all labor, overhead and material costs and other commitments made by Seller in reliance upon this Agreement. Insolvency of Purchaser, the filing of a petition in bankruptcy or the commencement of any insolvency or receivership proceeding shall be deemed a termination by Purchaser.
- 16. Security Interest.** Seller retains a security interest in the materials and product ordered herein until payment in full has been received.
- 17. Ownership of Materials.** Designs, processes, drawings, specifications, reports, photographs, data and other technical or proprietary information relating to this order shall remain the property of Seller, and Purchaser agrees that it will not use any of such items or information therein for the production or procurement from any other source of articles furnished in connection with this order, nor reproduce or otherwise appropriate the same without the prior written authorization of Seller.
- 18. Publicity.** Purchaser agrees that it will not disclose or make available to any third party the terms or provisions of this Agreement, including but not limited to the items referred to in paragraph 15, without the prior written authorization of Seller.
- 19. Assignment.** Purchaser may not transfer or assign this Agreement without the prior written authorization of Seller.
- 20. Order of Precedence.** In the event of a conflict between the terms of this Agreement and any other document presented by Purchaser pursuant to this order, including but not limited to any purchase order issued by Purchaser, the terms of this Agreement shall govern.
- 21. Remedies.** Notwithstanding any other provision herein, Seller shall be entitled to seek equitable relief to protect its interests, including but not limited to preliminary and permanent injunctive relief. Nothing herein shall be construed to limit any other remedies available to Seller.
- 22. Survival.** Any obligations which by their nature would survive termination of this Agreement, including but not limited to the obligations of confidentiality and indemnification, shall survive such termination.
- 23. Severability.** These terms and conditions shall be severable and the invalidity or unenforceability of any of them under any circumstances shall not affect those terms and conditions which are not held to be invalid or unenforceable.
- 24. Entire Agreement; Amendment.** These terms and conditions constitute the entire understanding of the parties related to the subject matter hereof and may be amended or modified only by written agreement of the parties to this Agreement.
- 25. Governing Law; Jurisdiction.** This Agreement shall be governed by, and interpreted in accordance with, the laws of the State of Texas without giving effect to any choice or conflict of law provision or rule (whether of the State of Texas or any other jurisdiction) that would cause the application of the laws of any jurisdiction other than the State of Texas. Each party agrees (i) that the exclusive jurisdiction for the resolution of any dispute, proceeding, or legal action (jointly "Proceeding") related to this Agreement or the transactions contemplated hereunder shall reside in the state or federal courts located in Dallas, Texas and (ii) not to assert any claim that it is not subject personally to the jurisdiction of such court, that the Proceeding is brought in an inconvenient forum, that the venue of the Proceeding is improper, or that this Agreement may not be enforced in or by such court.

©2016 ACPI All rights reserved.

# DOOR STYLE CONVERTER

ADVANTA CABINETS STYLE	ECHELON CABINETRY STYLE	ECHELON SPECIES AVAILABILITY							
		B	C	L	M	O	P	PH	T
Alton™ 5-PC	Addison™ 5-PC				X		X		
Alton™ Slab	Addison™ Slab				X		X		
Arborcrest™*	Ardmore™		X		X		X		
Avenue™	not available			X					
not available	Bedford™				X		X		
not available	Bellevue™				X		X		
Berkshire™	Brisbin™				X		X		
Branford™	Benton™					X			
Calibra™ II	Carlisle™				X		X		
Caruth™	Cheswick™				X		X		
Coronet™	not available							X	
not available	Freeman™				X		X		
Hampton™	Herndon™					X			
not available	Langdon™ Slab		X						
not available	Langdon™ Arch Slab		X						
not available	Langdon™ 5-PC		X						
not available	Langdon™ Arch 5-PC		X						
Leighton™	Lisburn™				X		X		
Mayfair™	Marianna™								X
Monroe™	Manor™								X
Novara™	not available				X				
Newbury™	Norwich™ Slab				X		X		
not available	Norwich™ 5-PC				X		X		
Rutledge™ 5-PC	Rossiter™ 5-PC				X		X		
Rutledge™ Slab	Rossiter™ Slab				X		X		
Sedona™	Southampton™				X		X		
Siena™ 5-PC	Salerno™ 5-PC	X					X		
Siena™ Slab	Salerno™ Slab	X					X		
Summit Hill™	Sutton™								X
Town&Country™ 5-PC	Edinburgh™ 5-PC				X		X		
Town&Country™ Slab	Edinburgh™ Slab				X		X		
Trevant™ 5-PC	Trevino™ 5-PC				X		X		
Trevant™ Slab	Trevino™ Slab				X		X		
Tuscany™ 5-PC	Touraine™ 5-PC	X					X		
Tuscany™ Slab	Touraine™ Slab	X					X		
Vista™	Hargrove™	X							
Walden™ Slab	Weston™ Slab				X		X		
Walden™ Arch Slab	Weston™ Arch Slab				X		X		
Walden™ 5-PC	Weston™ 5-PC				X		X		
Walden™ Arch 5-PC	Weston™ Arch 5-PC				X		X		

**KEY:** B = Birch C = Cherry L = Laminate M = Maple O = Oak P = Painted PH = Plantation Hardwood T = Thermofoil

\*Arborcrest available in cherry only

**EchelonCabinetry.com**

toll free 800.522.0183







## ECHELON CABINETY WOOD CHARACTERISTICS

Thank you for your decision to purchase Echelon Cabinetry. We know you have a choice in selecting cabinetry and we appreciate your interest in our brand. Below is a summary of what you can expect from your new cabinets.

### BIRCH

Birch is a close-grained hardwood. The grain is often straight but can also come in wavy or curly patterns. Sapwood is typically white; heartwood is a light reddish-brown.

### CHERRY

Cherry is a strong hardwood with a fine to medium grain pattern. Cherry is a multi-colored hardwood which may contain small knots and pin holes. The sapwood is typically white to yellowish; heartwood is deep reddish brown. Cherry begins to darken from the moment it is cut, and continues to darken over time. This distinctive characteristic is one of many reasons cherry has been the choice of fine furniture makers for centuries.

### MAPLE

Maple is a heavy and strong hardwood. Though it typically has a close, uniform grain pattern, there may be unique characteristics such as bird's eye or tiger stripe grain patterns or mineral streaks. Maple is predominantly off-white, although it may contain hues of yellow-brown and pink. It stains and finishes beautifully, making it a popular choice for cabinetry.

### OAK

Oak is a mostly straight-grained, durable hardwood with a medium to coarse texture. The sapwood is white to light brown; heartwood is pinkish red brown. It is sometimes streaked with green, yellow, and black mineral deposits. The open grain produces dramatic and distinct patterns.

### PAINTED

Painted cabinets use a combination of hardwood and engineered materials, such as MDF, to create a beautifully finished product. On painted Salerno & Touraine doors, some of the grain pattern and other characteristics, such as mineral streaks, pitch pockets, checks and pin knots, will remain visible through the painted finish. The finish will take on the texture of birch graining characteristics and will not have a filled smooth surface.

### THERMOFOIL

Rigid vinyl thermofoil is heat- and pressure-bonded to the face and edges of these sculpted doors while the back of the doors are covered with low-pressure white melamine. Heat shields are highly recommended when using thermofoil to minimize potential discoloration and delamination.

### CABINETY CARE

To keep your Echelon Cabinetry products looking their best for years to come we recommend:

- Clean cabinets as needed with a mild soap and water, and dry well using a lint-free cloth for both washing and drying.
- Wipe up spills, splatters and water spots as they occur.
- Use cleaners and polishes designed for wood cabinets, and clean all surfaces as needed.

## NATURAL CHARACTERISTICS & ENVIRONMENTAL FACTORS

The wood used in Echelon Cabinetry showcases the natural beauty that comes from the inherent characteristics of wood, including:

- Differences in color hues, grain patterns, and textures
- Differences between open- and closed-grain sections
- Visible joint lines, mineral streaks, worm tracks, etc.

Due to nature's infinite variations, it is impossible to include every possible wood characteristic. These variations can occur from cabinet to cabinet and within the same door or drawer front; however, they are considered natural characteristics, not defects. More details about acceptable wood variation and characteristics can be found in the Echelon Cabinetry Visual Quality Standards Training Guide.

As cabinetry products age, the finish may mellow or discolor slightly. The degree of change to the original finish color is affected by your products' exposure to natural and artificial light, smoke, and chemicals. This is a normal characteristic of furniture and cabinetry and not considered a quality defect.

These natural and environmental factors are considered normal characteristics of wood and not defects. Echelon Cabinetry cannot be held responsible for naturally occurring changes experienced by the wood used in your cabinets.

## CUSTOMER ACKNOWLEDGMENT

We want to make certain you are aware of the natural characteristics of wood and their impact on our cabinets as described above. Please indicate your agreement and acceptance with these natural characteristics by signing below:

Customer Signature: \_\_\_\_\_ Date: \_\_\_\_\_

### EchelonCabinetry.com

Trademark owned by ACProducts, Inc.

©ACPI 01/18 Printed in the United States of America

Echelon Cabinetry products are certified by the Kitchen Cabinet Manufacturers Association.

3551 Plano Parkway, Suite 200, The Colony, Texas 75056 800-522-0183



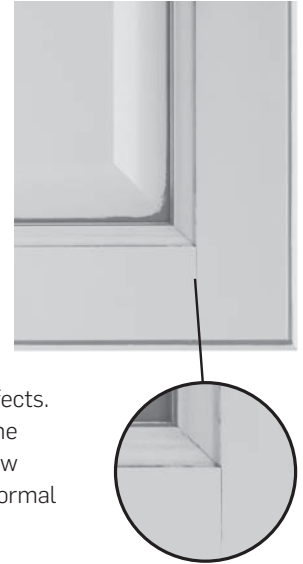
Kitchen Cabinet Manufacturers Association  
Environmental Stewardship Program  
All Products Impact the Environment  
For ESP Program Criteria, Visit [kcma.org](http://kcma.org)

An **acpi** brand

**ECHELON CABINETY PRODUCT DISCLOSURE**  
Characteristics of Painted Finishes on Wood Cabinetry

Echelon Cabinetry painted and glazed finishes are applied using the same quality standards as all of our other finishes. Painted cabinet products have unique characteristics that differ from other finishes but are not considered manufacturer quality defects:

- Wood of all species is hygroscopic, meaning that it is subject to the humidity and temperature of its environment. It will lose or gain moisture and consequently shrink or swell depending on the environment. Even protective coatings cannot prevent this movement; they merely impede the process. As humidity increases, the moisture content increases, and wood expands. As humidity decreases, the moisture content decreases, and the wood will actually shrink. Therefore, painted wood cabinetry should be expected to "shift" during the various shifts in weather throughout the year. Changes in temperature that naturally occur from season to season (especially humidity or prolonged moisture) will cause movement in hardwood products, such as hairline cracks, peeling, or separation. These types of movement are widely accepted as normal in the kitchen cabinet industry and not considered quality defects. Wood may expand and contract differently from cabinet to cabinet and from joint to joint within the same cabinet. Consequently, some cabinet joints may not show any effects of humidity, while others may show varying degrees of cracking or peeling. These shifts may also occur due to the repeated impacts from normal everyday use.
- Painted cabinets use a combination of hardwood and engineered materials, such as MDF, to create a beautifully finished product. On painted Salerno and Touraine doors, some of the grain pattern and other characteristics such as mineral streaks, pitch pockets, checks and pin knots, will remain visible through the painted finish. The finish will take on the texture of birch graining characteristics and will not have a filled smooth surface.
- As painted cabinet products age the finish may mellow or discolor slightly. The degree of change to the original finish color is affected by your products' exposure to natural and artificial light. This is a normal characteristic of painted furniture and cabinetry and not considered a quality defect.



Due to these natural and environmental factors, Echelon Cabinetry cannot be held responsible for naturally occurring changes experienced by the wood in our cabinets.

**CUSTOMER ACKNOWLEDGMENT**

We want to make certain you are aware of the natural characteristics of wood and their impact on our cabinets as described above. Please indicate your agreement and acceptance with these natural characteristics by signing below:

Customer Signature: \_\_\_\_\_

Print Name: \_\_\_\_\_ Date: \_\_\_\_\_

Distributor Signature: \_\_\_\_\_

Print Name: \_\_\_\_\_ Date: \_\_\_\_\_

Order Date: \_\_\_\_\_ Order Number: \_\_\_\_\_

**EchelonCabinetry.com**







# Echelon<sup>®</sup>

CABINETRY

High-Quality. Great Value. **Peace of Mind.**

[www.echeloncabinetry.com](http://www.echeloncabinetry.com)

*Proudly Made in America* An **acpi** brand

Trademark owned by ACProducts, Inc.

©ACPI SPECBOOKECHA 04/18 Printed in the United States of America

Echelon Cabinetry products are certified by the Kitchen Cabinet Manufacturers Association.

**NOTICE:** The product specifications appearing herein supersede and cancel all previous sheets, supplements and addenda, and represent current manufacturing standards and procedures. Echelon Cabinetry reserves the right to make specification changes for continued product improvement.

For aesthetic considerations the furniture and cabinet industries have made veneer on composite panel substrate the standard method of construction for raised panel-in-frame doors in some wood species. Within the Echelon Cabinetry product line, those species include oak, birch, and maple.

**NOTE:** Due to printing limitations, color pictures cannot be guaranteed to exactly match the actual cabinet material.



Kitchen Cabinet Manufacturers Association  
Environmental Stewardship Program  
All Products Impact the Environment  
For ESP Program Criteria, Visit [kcma.org](http://kcma.org)

Echelon Cabinetry is part of the Kitchen Cabinet Manufacturers Association (KCMA) and the National Kitchen and Bath Association (NKBA). Echelon Cabinetry carries the ANSI/KCMA A161.1 quality assurance certification.